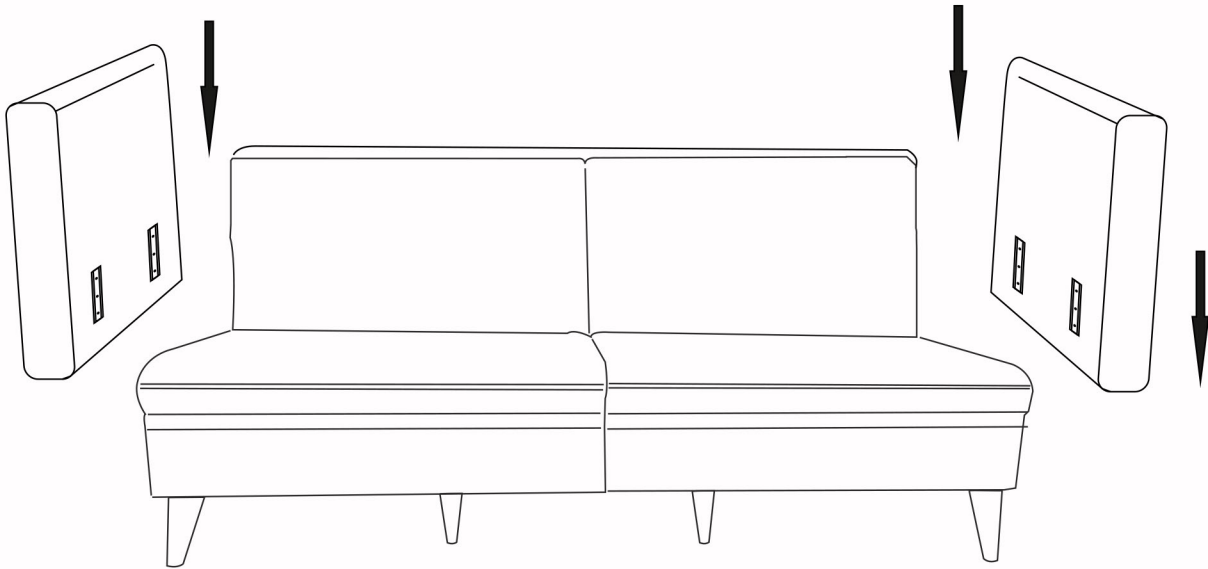


ATTACH WOODEN LEGS TO THE SOFA  
BY SPINNING WITH YOUR HANDS



PLACE THE RIGHT AND LEFT ARMRESTS BY PUSHING DOWN  
THE METAL CONNECTION PARTS ON EACH SIDE

