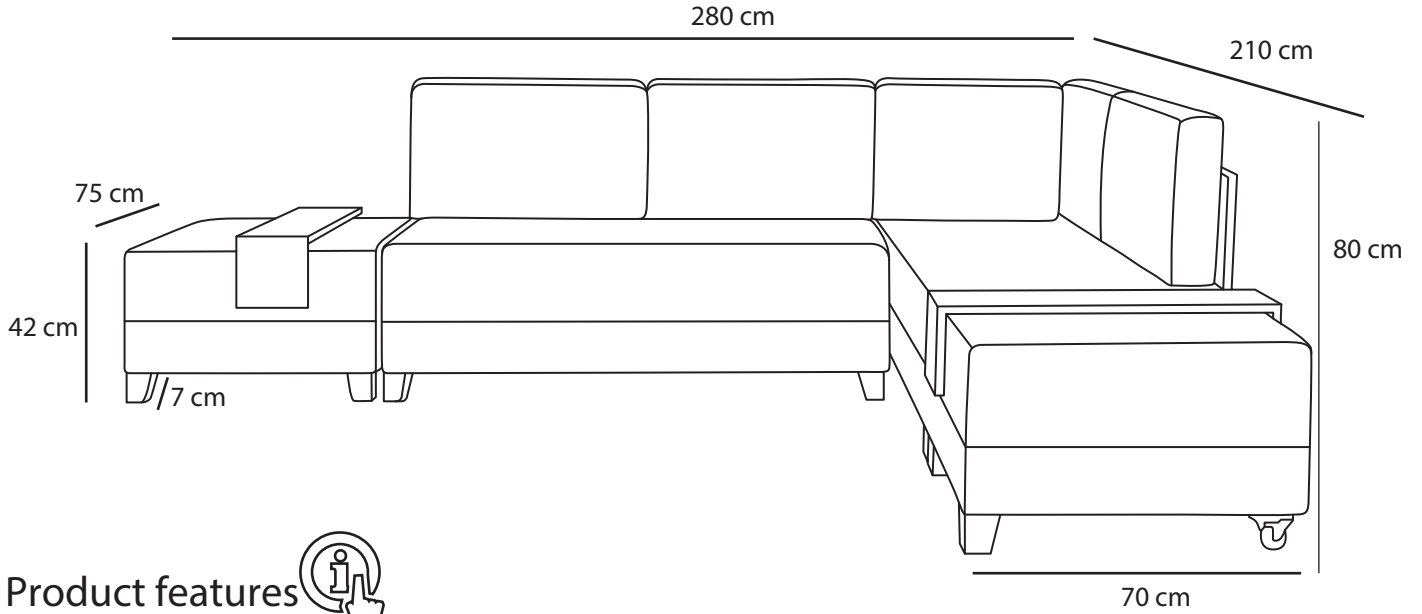


071-000327



Product features

- ★ The interior of the product is produced by supporting 100% timber in the carrier parts, and the flat floor parts are supported by particle board. In the leg-mounted parts, 100% solid timber is used to support the carriers. The legs are made of hard plastic with a high bearing capacity prepared in molds.
- ★ Session sponges 12 cm 32DNS Soft Foam Grey.
- ★ It is a filling material produced from sugar crumb sponge.
- ★ The fabric is a blend of 100% domestically produced woven polyester and cotton.
- ★ It is produced with materials suitable for environment and child health.
- ★ The leg and back parts of the product are sent disassembled. You have to place the back pieces coming out of the package to the end of the channel we have prepared. There are two back and one corner piece. The puffs are connected to the corners with fasteners. One side of the fastener will be attached to the product, you need to connect a part of it being shipped.
- ★ You can mount the product legs with a cordless screwdriver.
- ★ You can find product videos at homebiz.com.
- ★ Legs and fasteners come out of the product package.



Proper Use

Do not expose the sofas to direct sunlight. Sunlight can cause surfaces to fade.

Furniture upholstered in fabric must be protected against sharp objects, sticky or hot substances, chemicals and fire.

While sitting on products such as sofas, armchairs and chairs, leaning backwards with these products or similarly stretching the products disrupts the skeletal structure of the products and damages their durability.

Fluffing and turning the cushions of your sofa once a week can be useful for a neat appearance.



- 🗑 Cleaning
First of all, you should vacuum the joints of your sofa, including the pillows, the connection parts of the sofa arm with the back and cushion, the product's cushions separated from the sofa and the fabric surfaces on the skeleton underneath, with the appropriate use tip of the vacuum cleaner.
- 🗑 Add soap without active ingredient to a bucket of warm water and make sure it dissolves. If you are using shampoo, be sure to check its content.
- 🗑 We recommend that you first try wiping your sofa on a small area on the back of the product.
- 🗑 Please allow them to dry before putting the cushions and pillows together.

Thank you for purchasing our product. Please remember to carefully check the installation materials included in the package. Before throwing away the packaging, make sure it is not inside.

To accept the product return;

Send the product along with the packing slip sent to you.

The original box/packaging of the product must be intact, undamaged, complete, and must not have lost its resaleability feature. Otherwise, the product damage cost will be reported to the sales platform representative from whom you purchased it.

Packaging standards are very important for the products to reach you safely. Please repack the product to the same standard if you have unpacked it before returning it. All standard accessories must be sent undamaged and in their original packaging. If the feet of the product are mounted, they must be disassembled before returning them.

There are absolutely no refunds for products that have been installed and assembled.

