

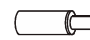






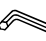




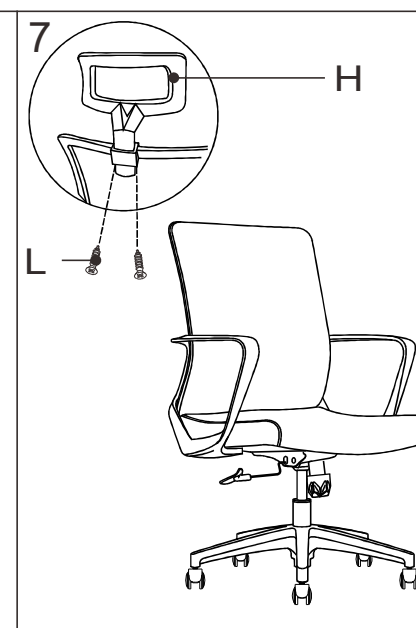
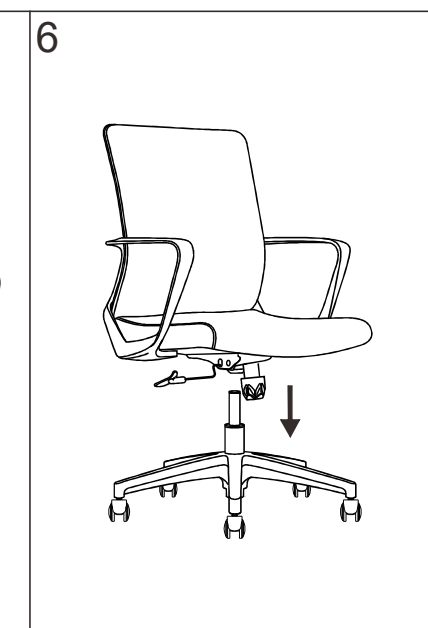
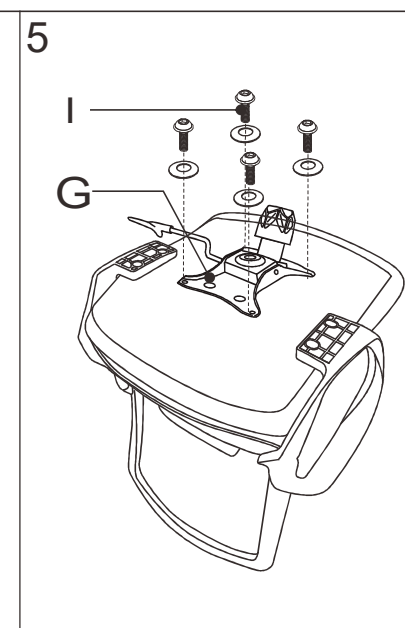
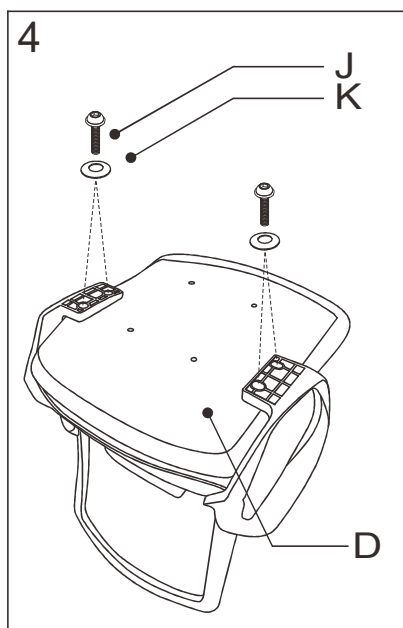
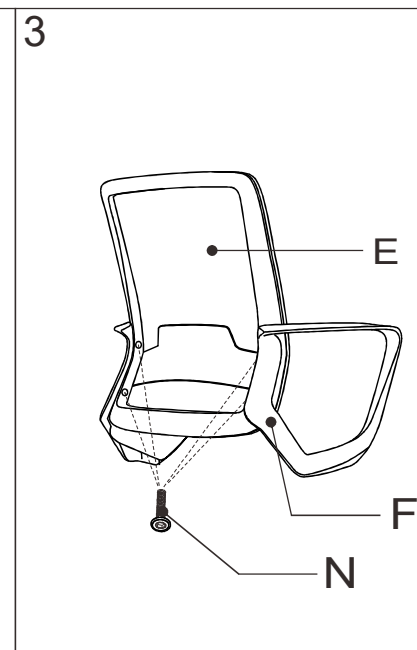
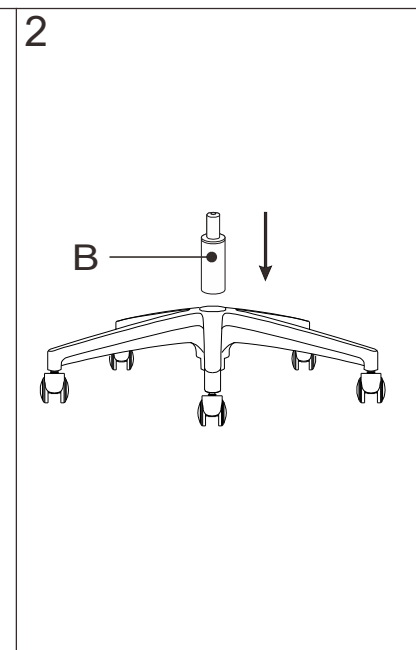
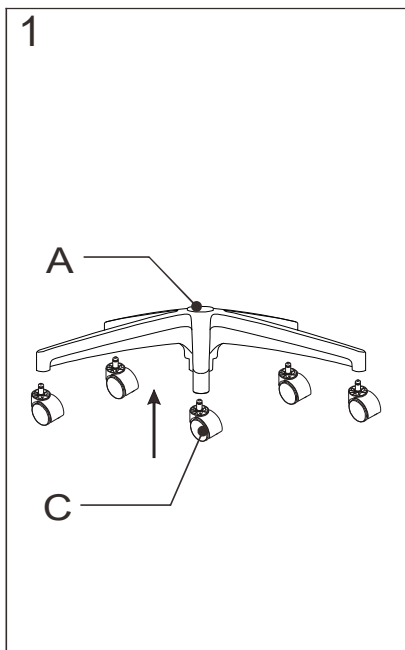


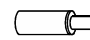











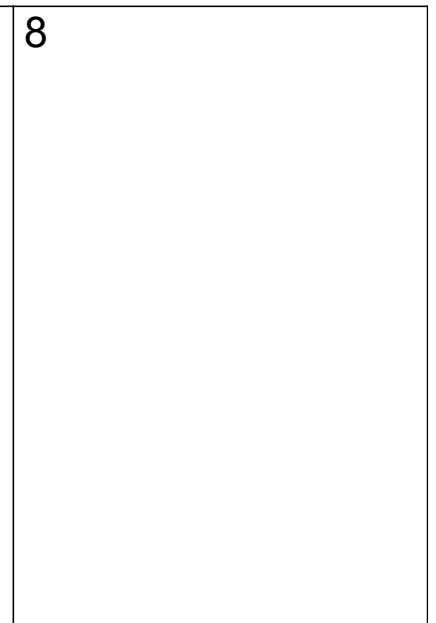
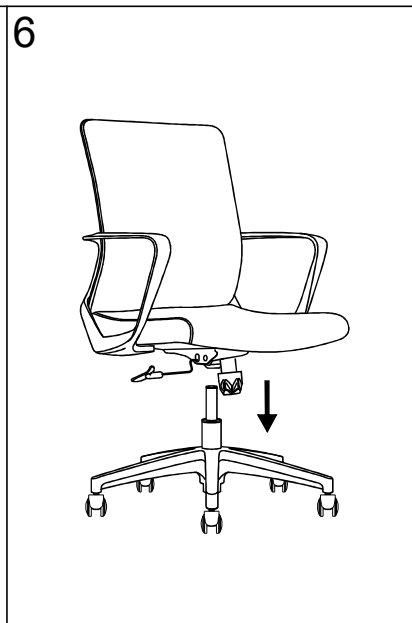
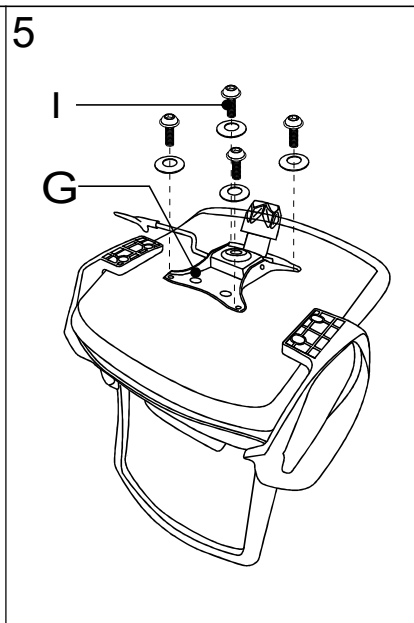
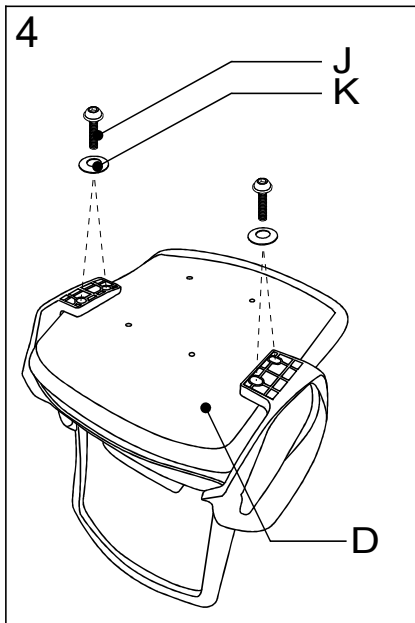
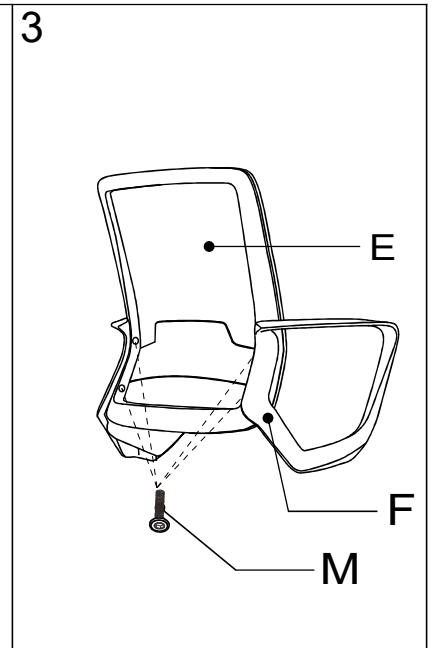
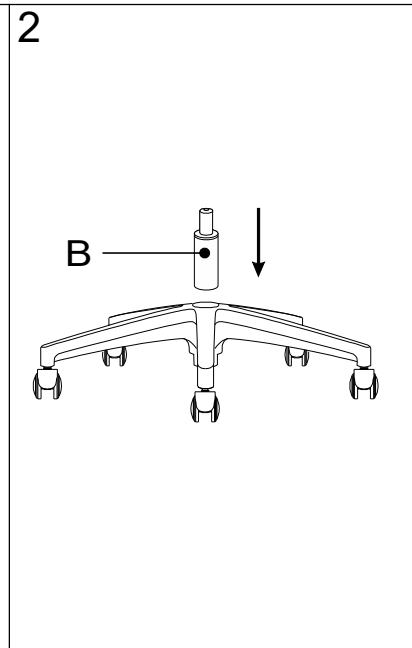
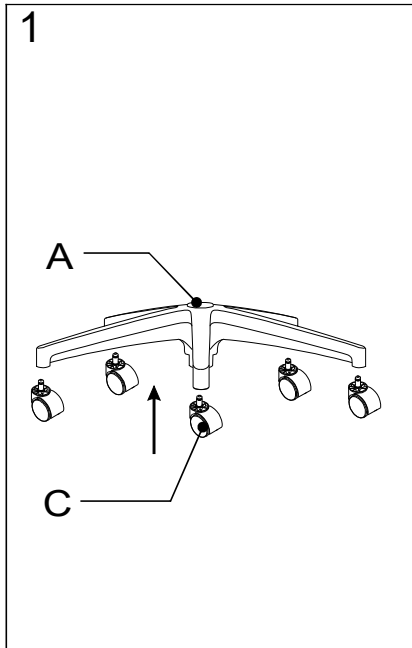
ASSEMBLY INSTRUCTIONS

A		x1	I		M6x20	x4
B		x1	J		M6x30	x4
C		x5	K		M6	x8
D		x1	L		St4x20	x2
E		x1	M		M5	x1
F		x2	N		M6x16	x4
G		x1				
H		x1				












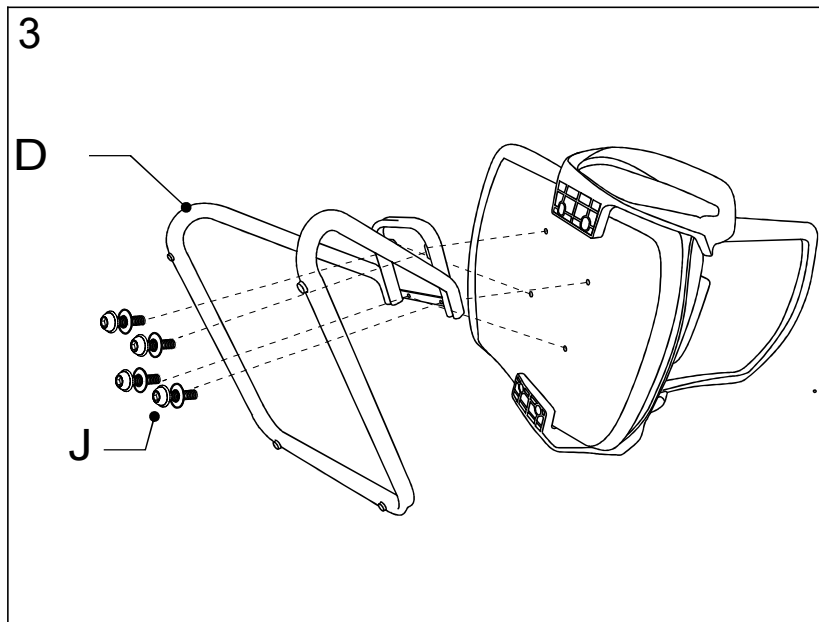
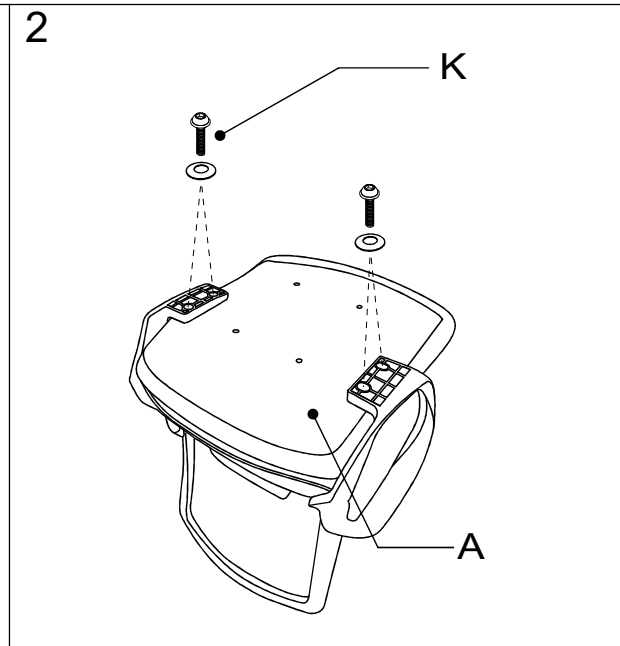
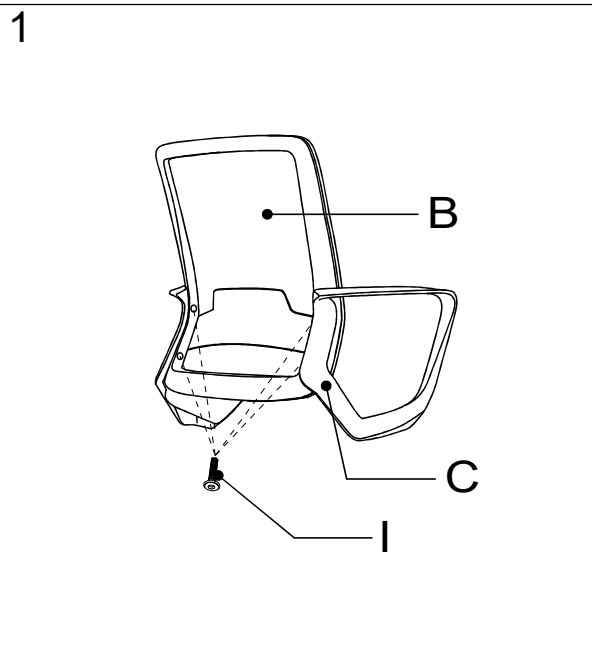
ASSEMBLY INSTRUCTIONS

A		x1	I		M6x20	x4
B		x1	J		M6x30	x4
C		x5	K		M6	x8
D		x1	L		M5	x1
E		x1	M		M6x16	x4
F		x2	N			
G		x1				
H		x4				












ASSEMBLY INSTRUCTIONS

A		x1	I		M6x16	x4
B		x1	J		M6x20	x4
C		x2	K		M6x30	x4
D		x1	L		M6	x8
			M		M5	x1



ASSEMBLY INSTRUCTIONS

A		x1	I		M6x16	x4
B		x1	J		M6x20	x4
C		x2	K		M6x30	x4
D		x1	L		M6	x8
			M		M5	x1

