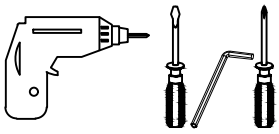


# Assembly Drawing

Pakketo code:069-000044

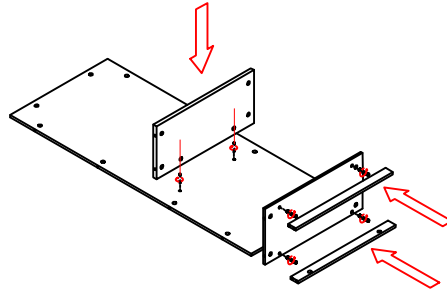
Size:800X400X2000

Tools

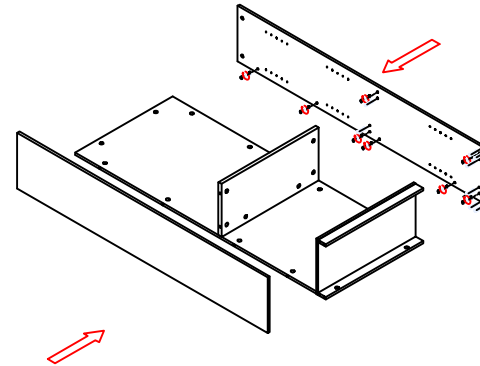


## Connecting Parts

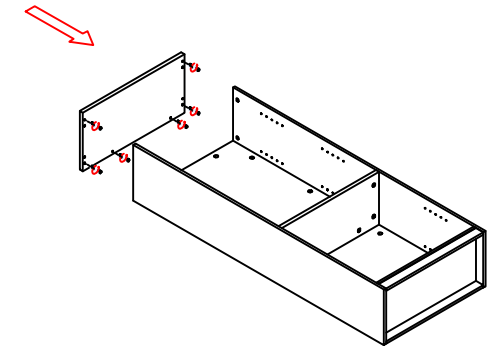
A		30	G		20
B		16	H		12
C		4	J		
D		2	K		
E		2	L		
F		8	M		



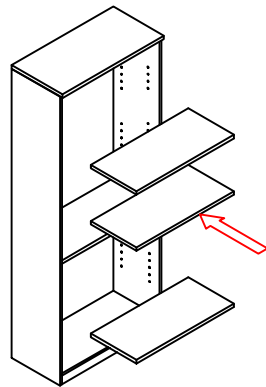
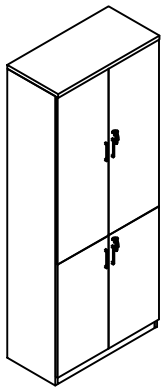
1



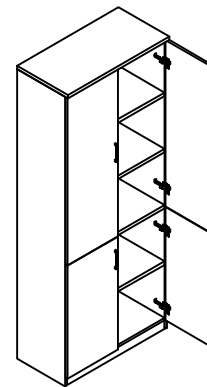
2



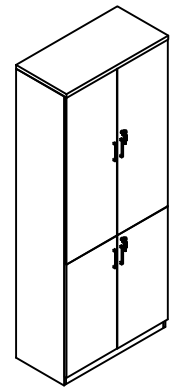
3



4



5



6