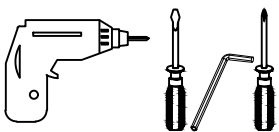




Assembly Drawing

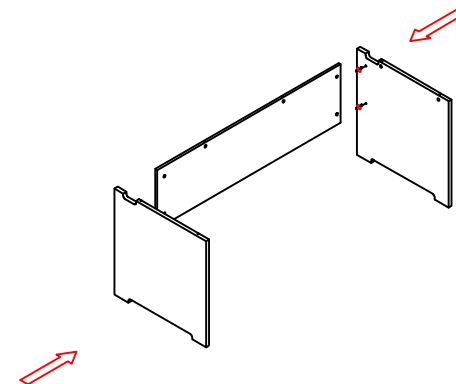
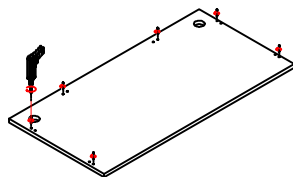
Pakketo code:069-000032

Tools

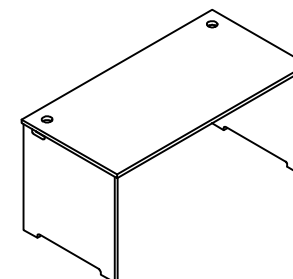
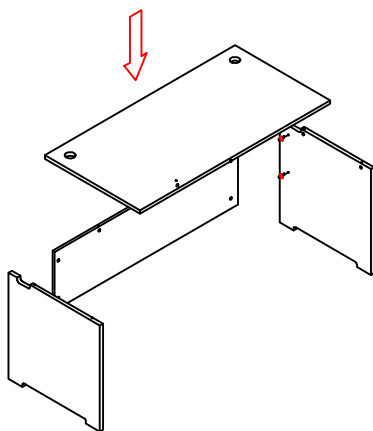
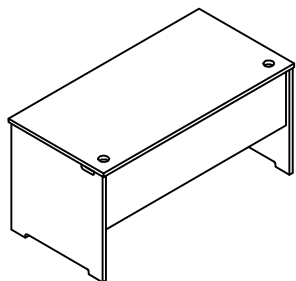
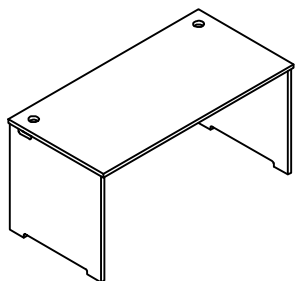


Connecting Parts

A		10	G		
B			H		
C			J		
D			K		
E			L		
F			M		



1 2
3 4



Finish