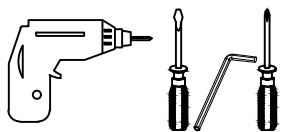


Assembly Drawing

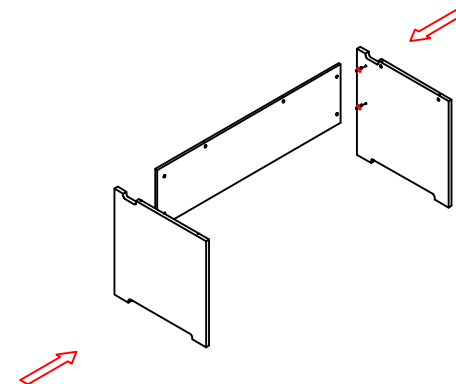
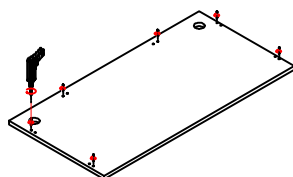
Pakketo code:069-000031

Tools

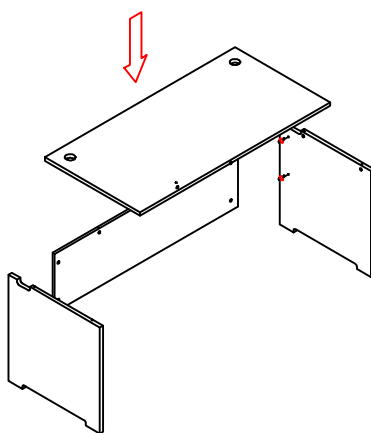
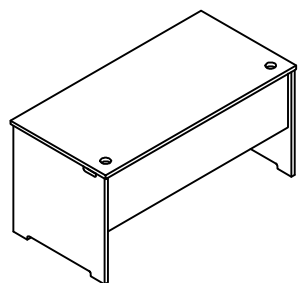
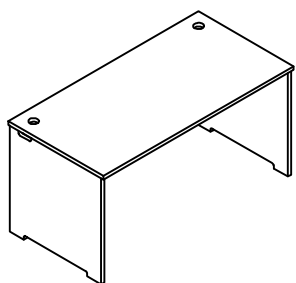


Connecting Parts

A		10	G		
B		10	H		
C			J		
D			K		
E			L		
F			M		



1
3



Finish