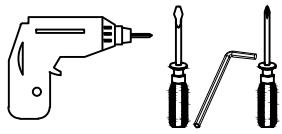


# STL-DK01 Assembly Drawing

Pakketo code:069-000030

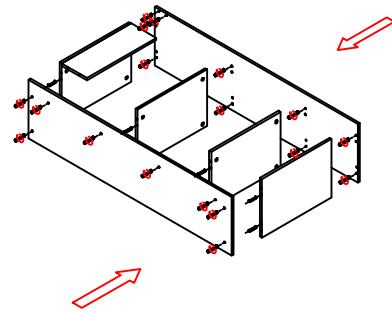
Size:W1800\*D1600\*H760

Tools

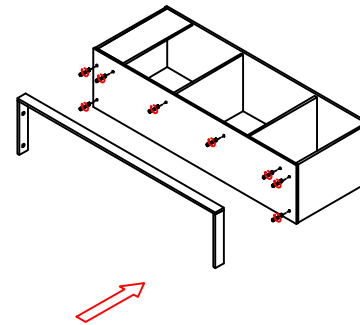


## Connecting Parts

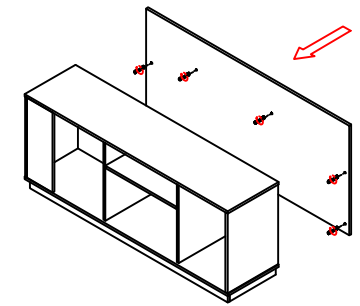
A		62	G		30
B		20	H		4
C		2	J		1
D		1	K		1
E		2	L		
F		4	M		



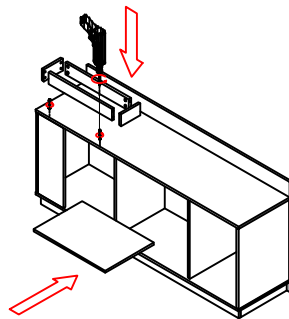
1



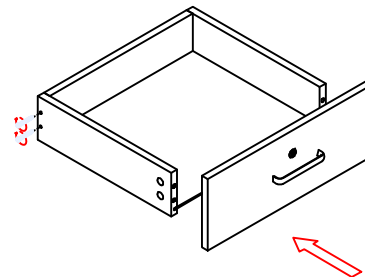
2



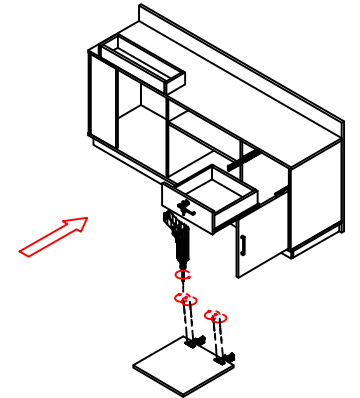
3



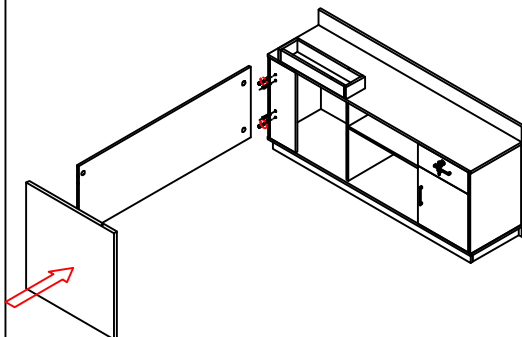
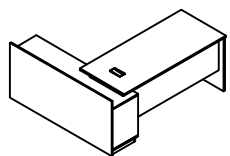
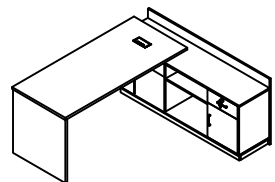
4



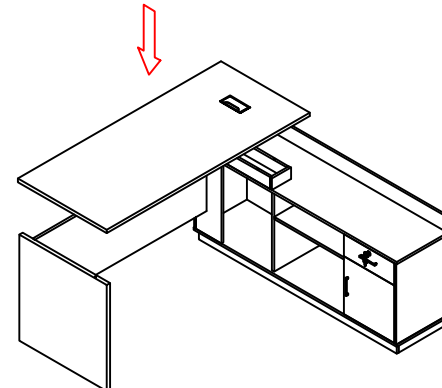
5



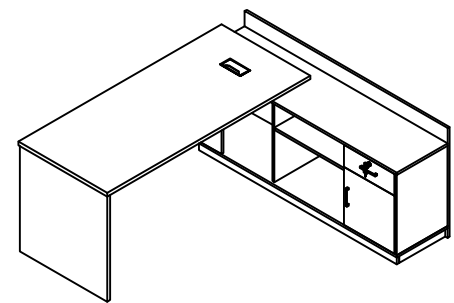
6



7



8



Finish