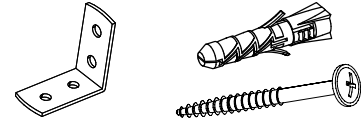
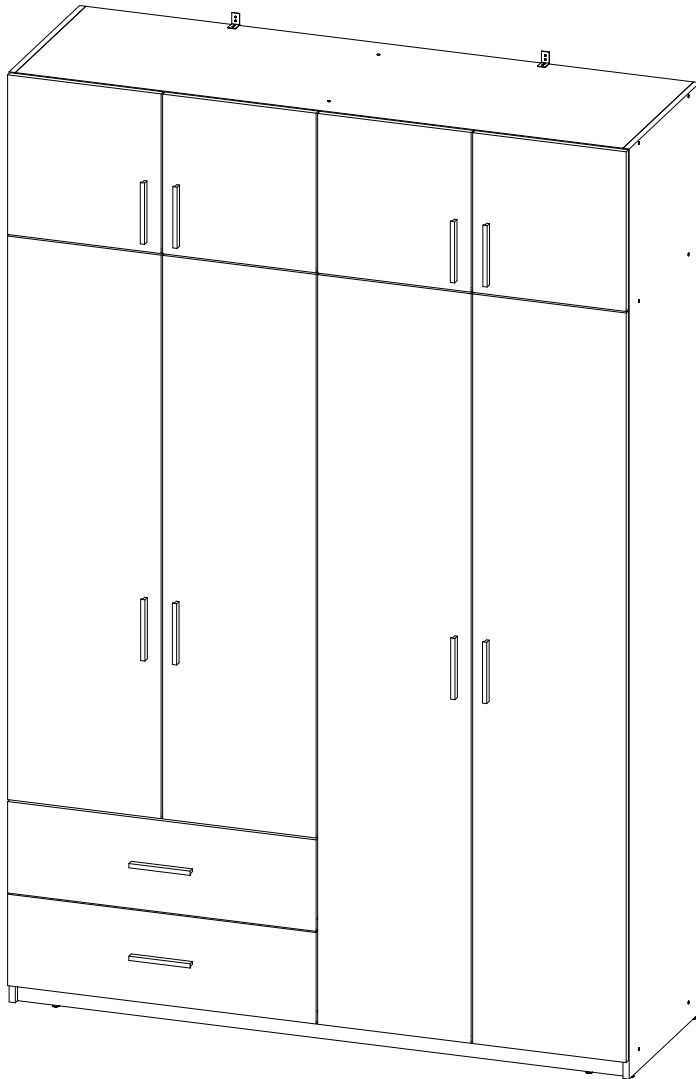
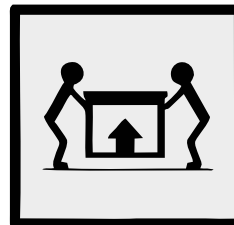


Wardrobe 2400x1600x500 mm

ASSEMBLY INSTRUCTION



The dowel and the wall mounting angle are not included. Purchase separately.



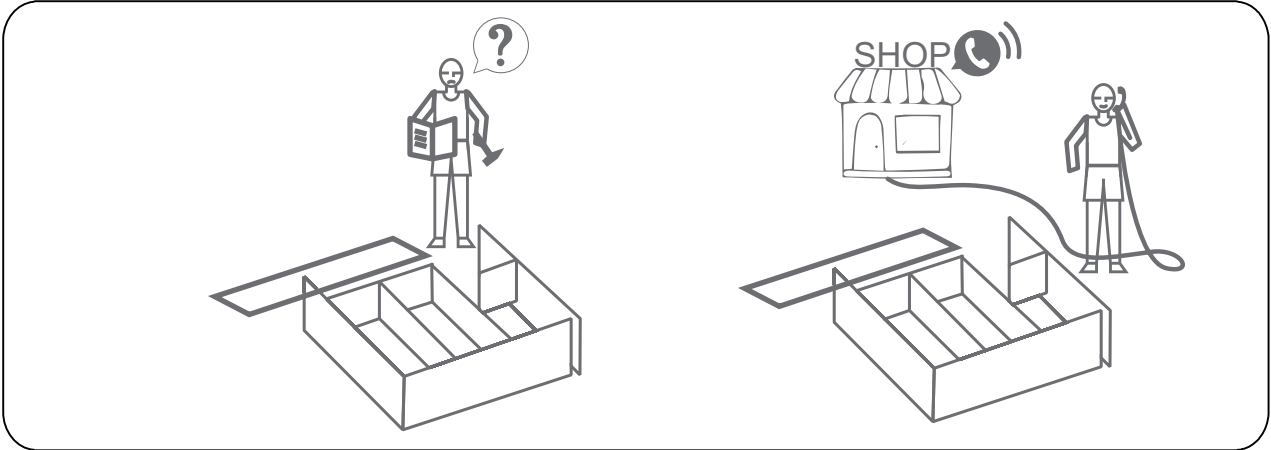
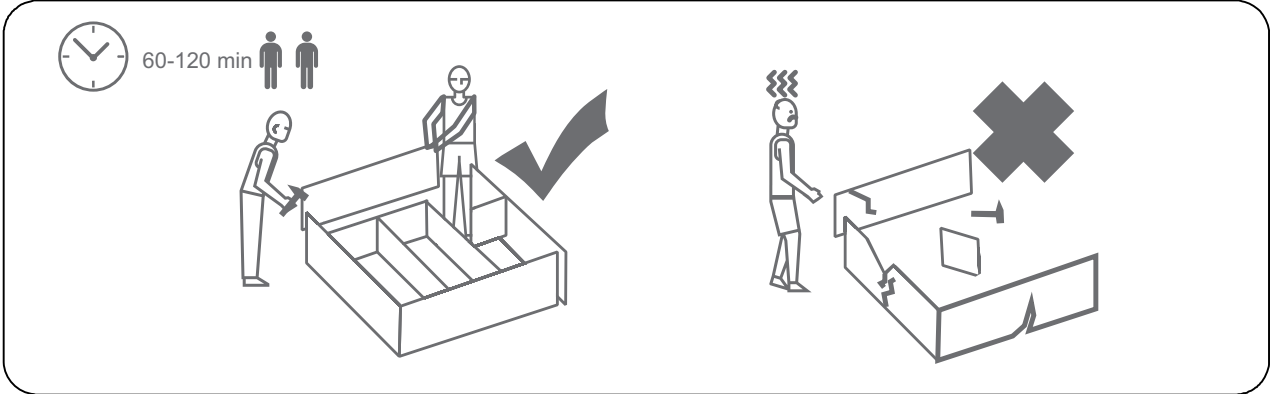
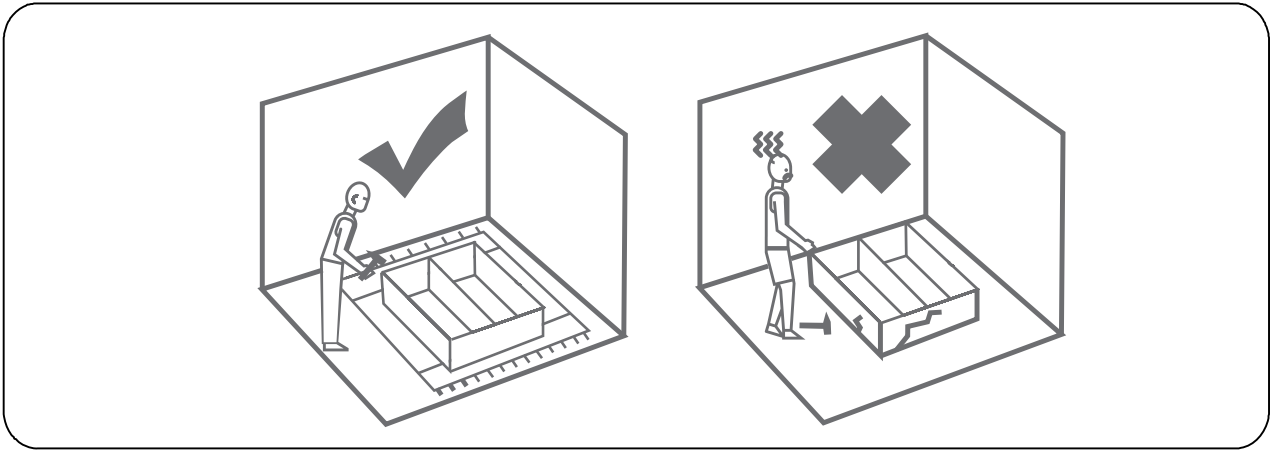
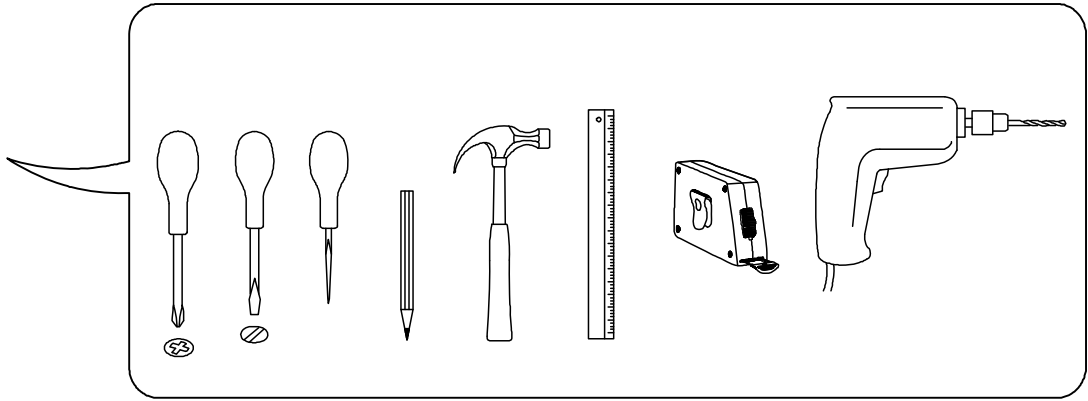
NOTE!

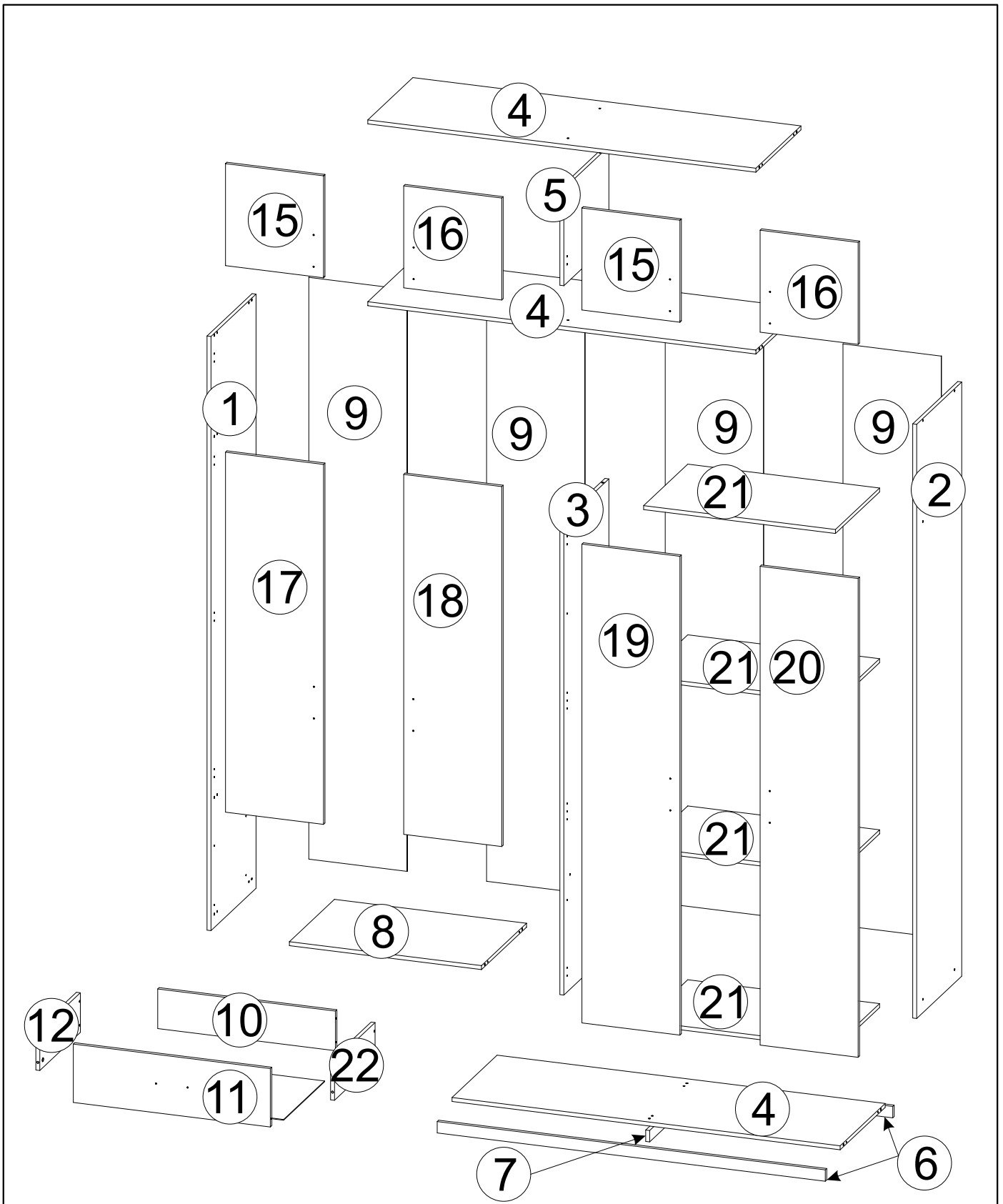
For all questions and complaints about this product, please contact the place of purchase of this product.



RULES FOR USE AND CARE OF FURNITURE

1. Use furniture only in dry rooms protected from the effects of weather conditions.
2. Install with suitable tools according to these assembly instructions.
3. Try to assemble as close to the location as possible.
4. The body is assembling in a horizontal position.
5. Before moving furniture, make sure that it is not loaded with items.
Caution: moving furniture may damage it.
When moving, hold on to vertical elements only; moving furniture by horizontal parts can break the product.
6. Overloading the furniture can damage it.
7. From time to time check the fittings and their correct position.
8. Wipe the furniture surface only with a slightly damp cloth or paper towels. Do not use chemical cleaning agents other than those specifically made for this.





22x
 $\phi 8 \times 30$ mm
f1

11x
c3

91x
 $\phi 3,5 \times 16$ mm
p38

30x
 $\phi 7 \times 50$ mm
e32

4x

l1

9x

12x
D

10x
k1

2x

16x
 $\phi 5 \times 17$ mm

8x
 $\phi 15 \times 12$ mm #16
r1

8x
 20/9
r16

4x
 15x10x14mm
c14

10x

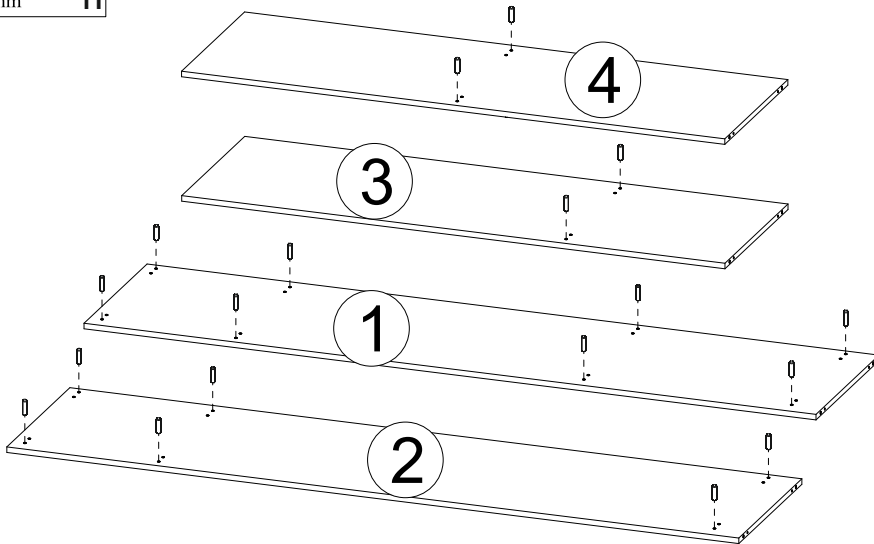
20x
 $\phi 4,0 \times 30$ mm
p41

36x
 $\phi 6 \times 13$ mm
e3

16x
 $\phi 6,4 \times 8$ mm
e4

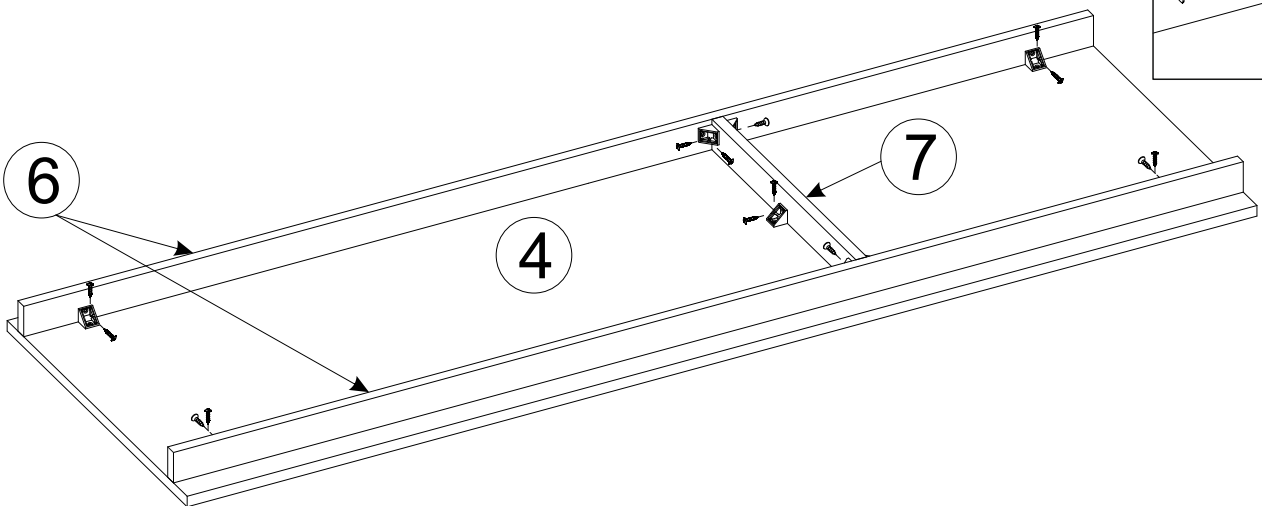
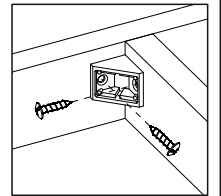
1

22x
 $\phi 8 \times 30$ mm f1

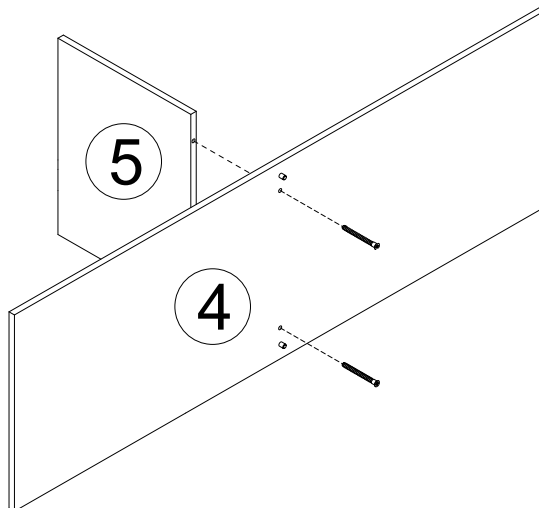
**2**

7x
 c3

14x
 $\phi 3,5 \times 16$ mm p38

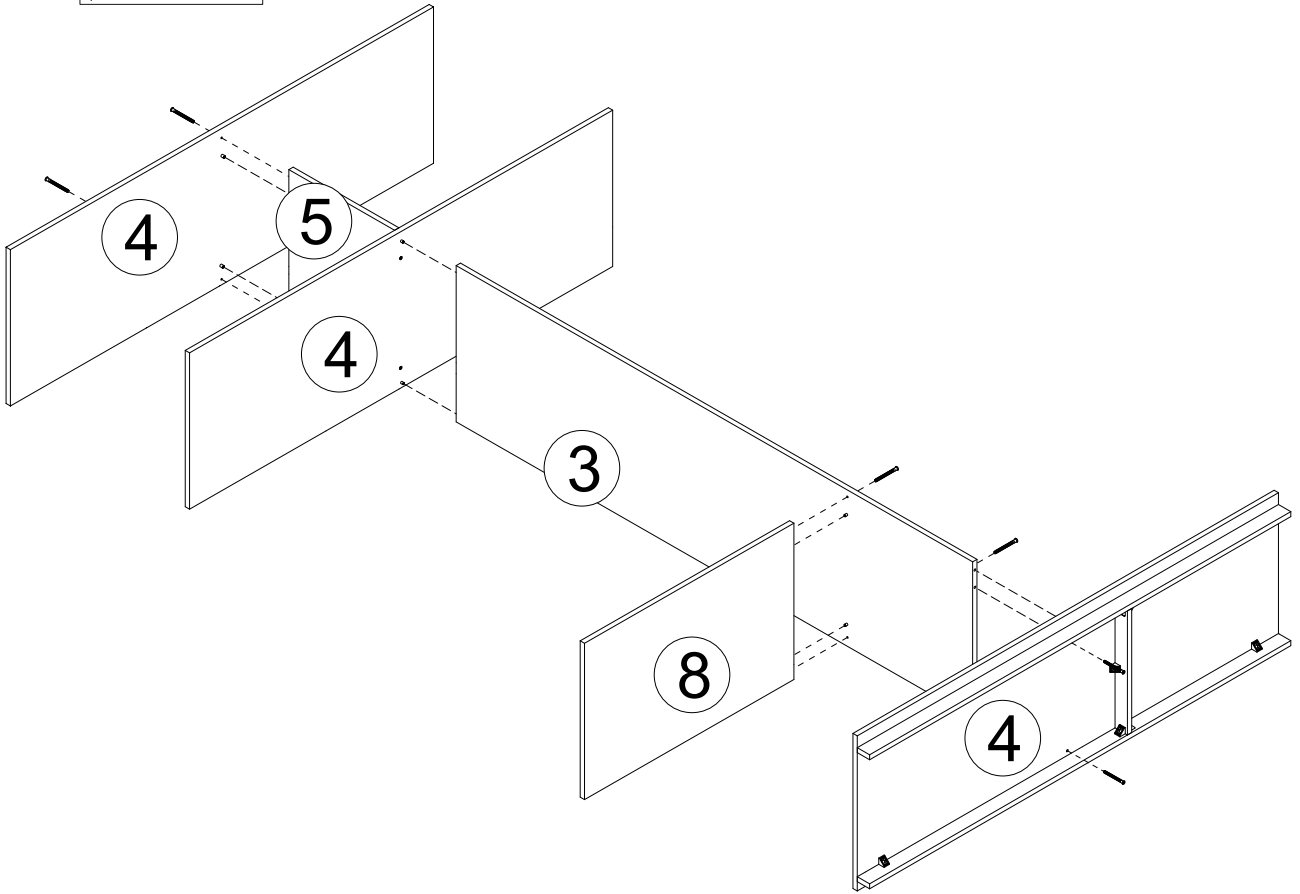
**3**

2x
 $\phi 7 \times 50$ mm e32



4

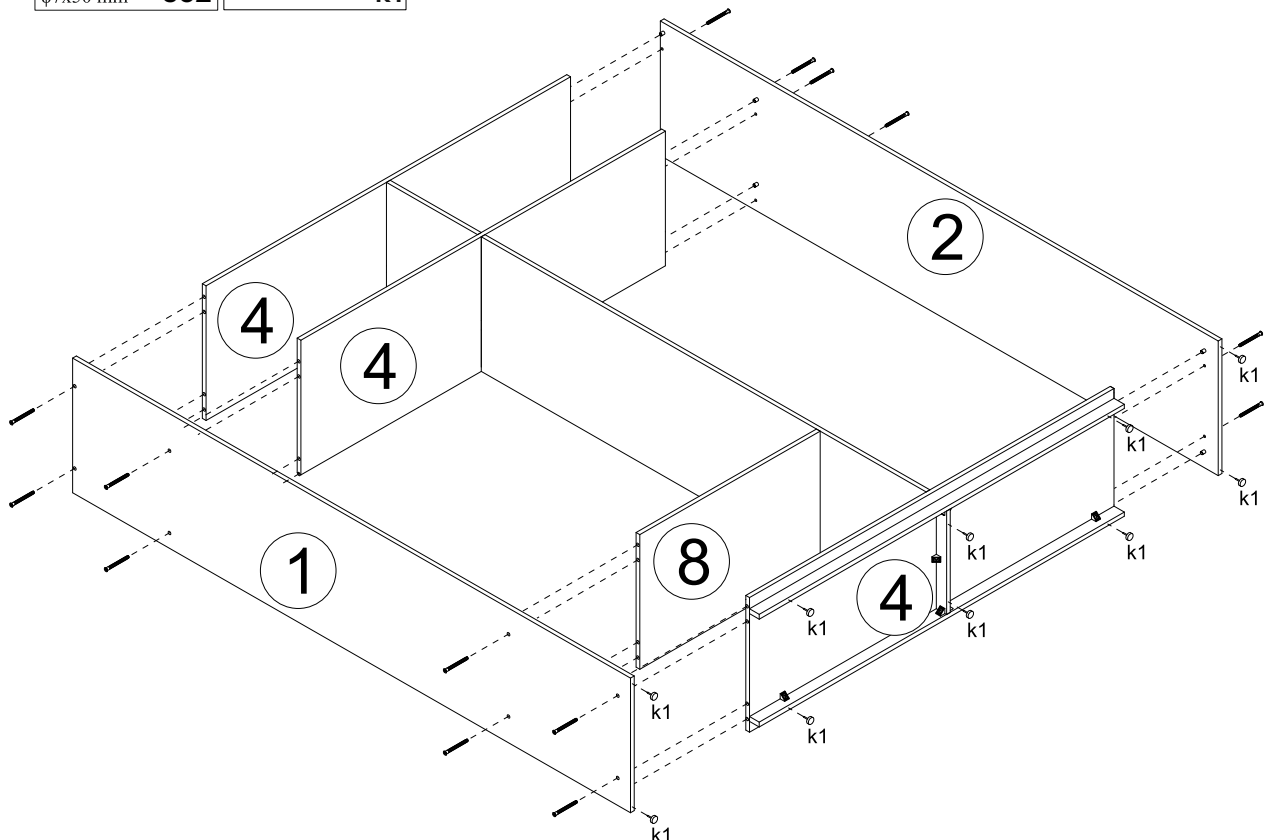
6x
φ7x50 mm e32



5

14x
φ7x50 mm e32

10x
k1



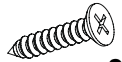
6

4x

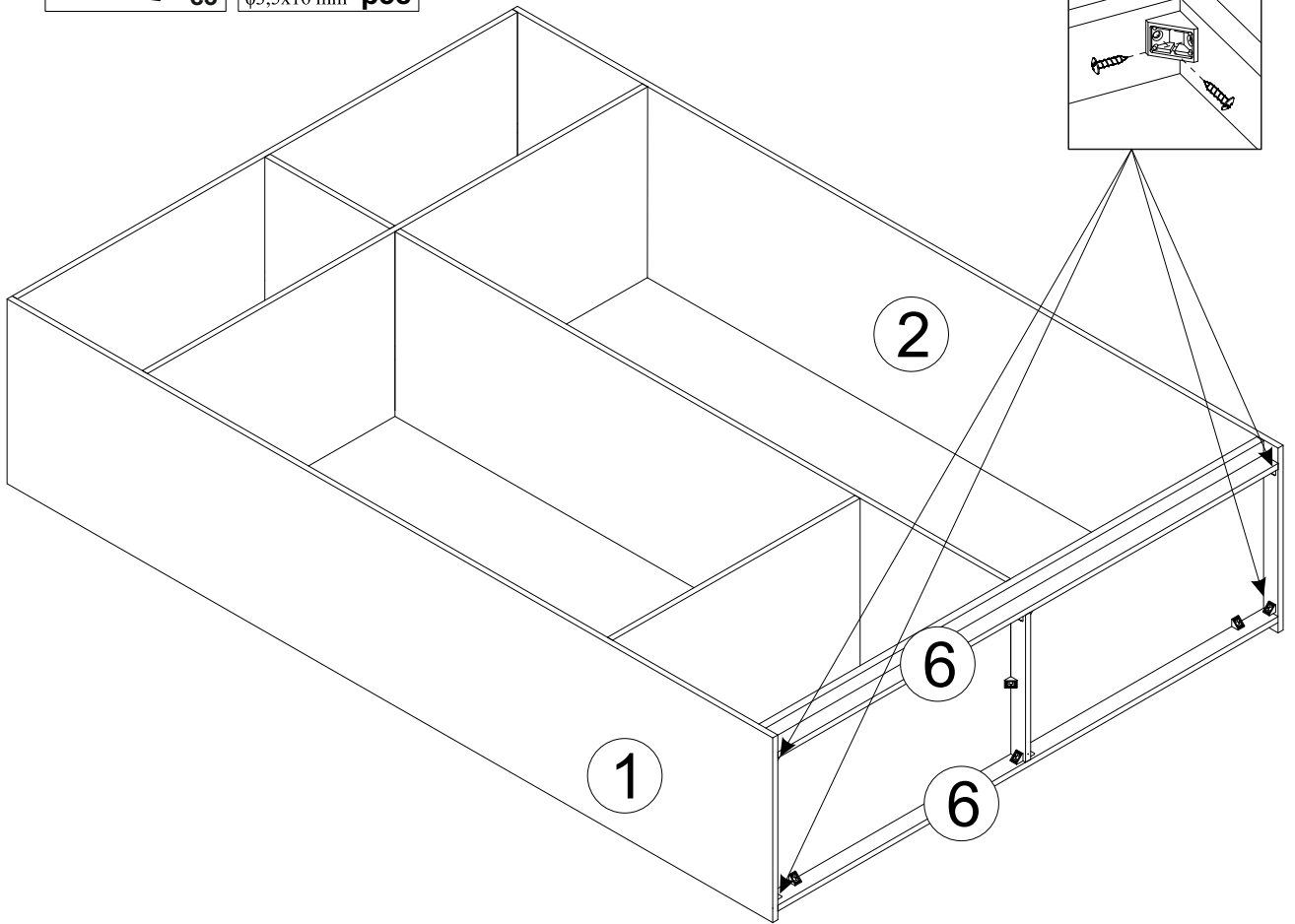


c3

8x

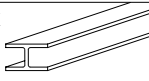


$\phi 3,5 \times 16$ mm p38



7

4x



9x

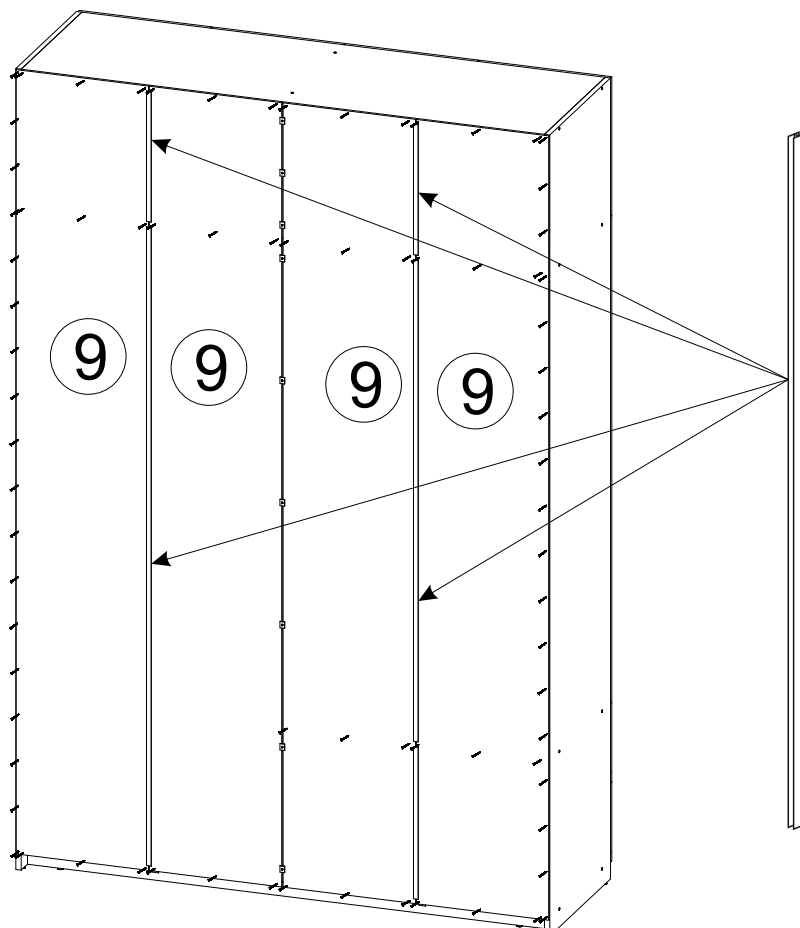
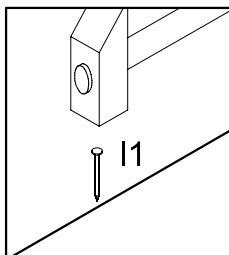
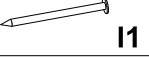


9x



$\phi 3,5 \times 16$ mm p38

11



8

2x



4x

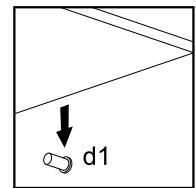
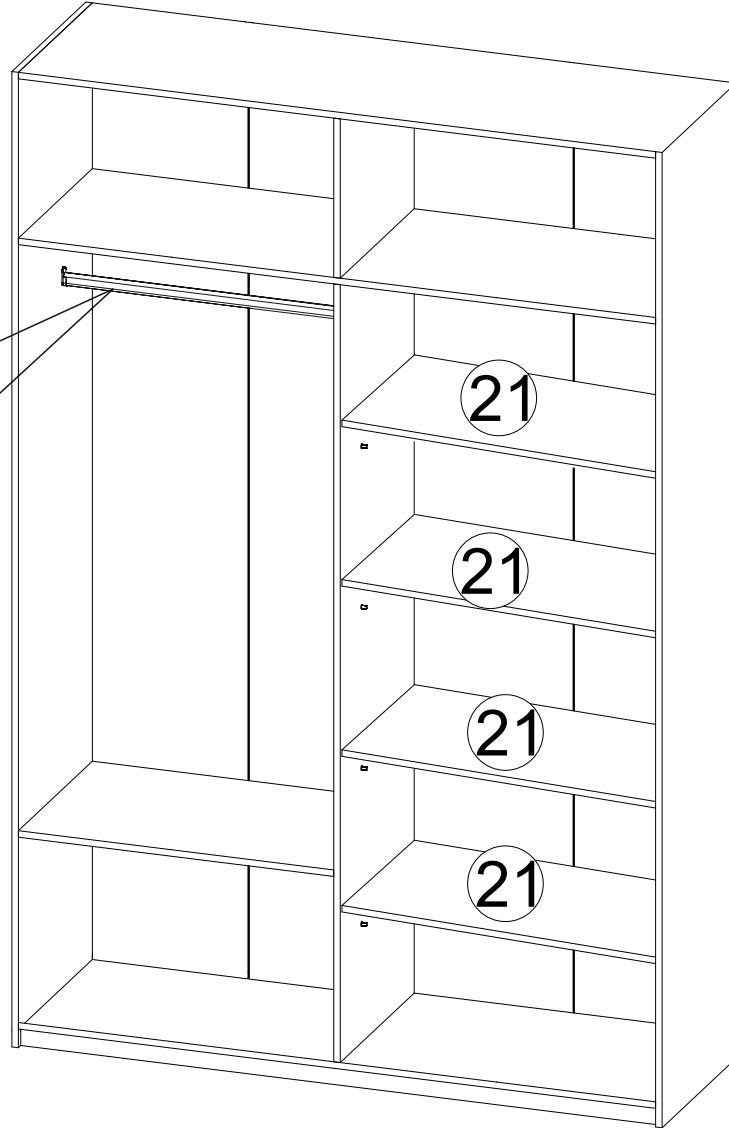
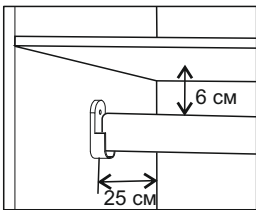
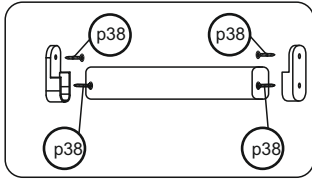


$\phi 3,5 \times 16$ mm **p38**

16x

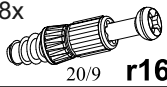


$\phi 5 \times 17$ mm



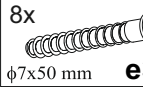
9

8x

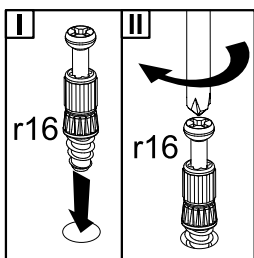
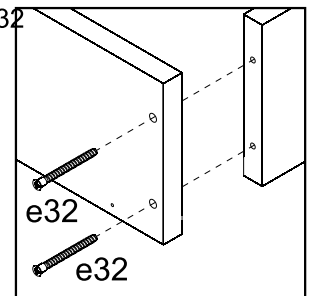
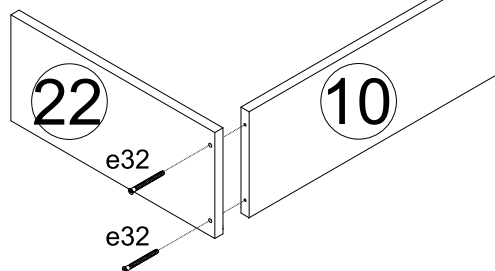
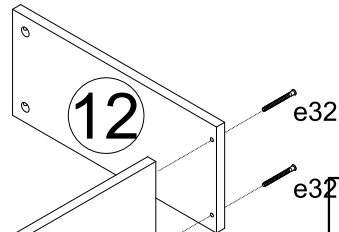
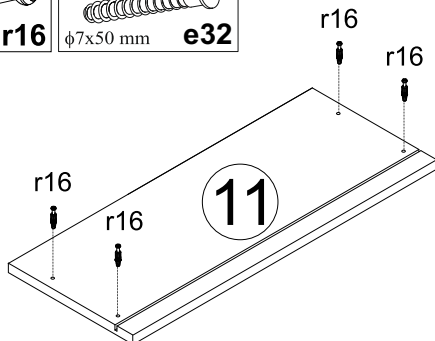


20/9 **r16**

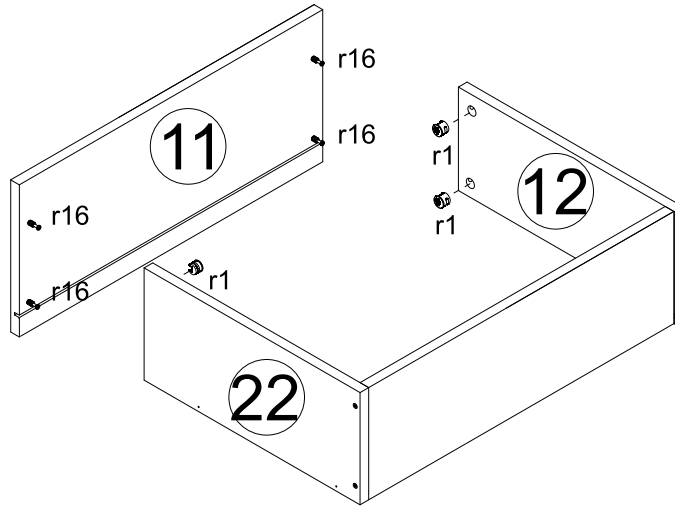
8x









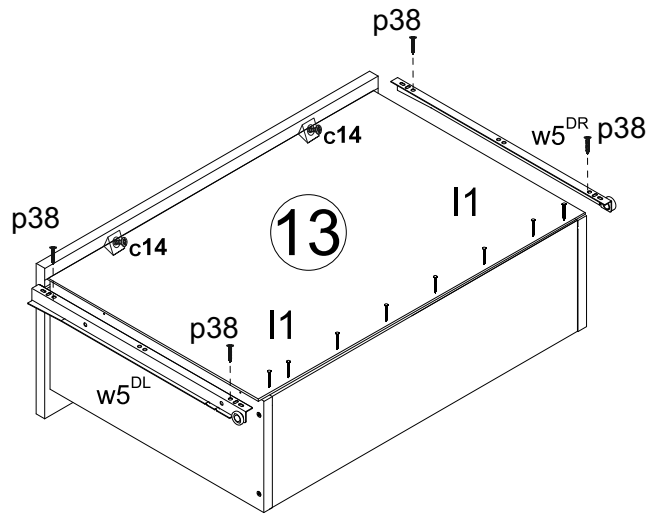
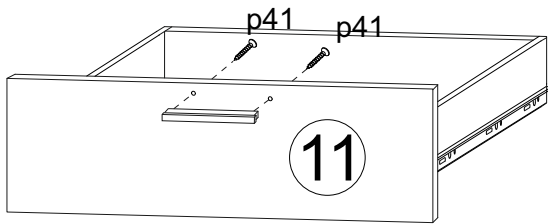
$\phi 7 \times 50$ mm **e32**

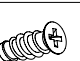



10 8x  $\phi 15 \times 12 \text{ mm}$ #16 **r1**



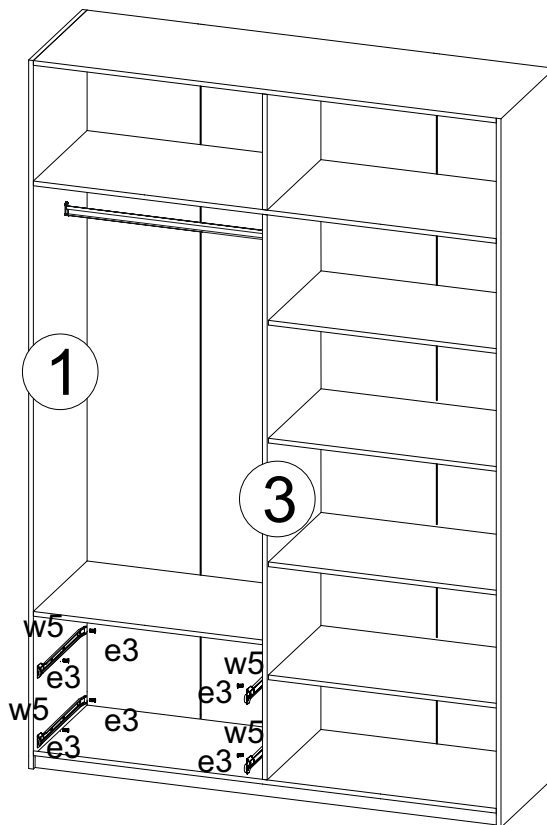
11 8x  $\phi 3.5 \times 16 \text{ mm}$ **p38** 2x  **w5^{DL}** 2x  **w5^{DR}**
 4x  **c14** 2x  4x  $\phi 4.0 \times 30 \text{ mm}$ **p41**



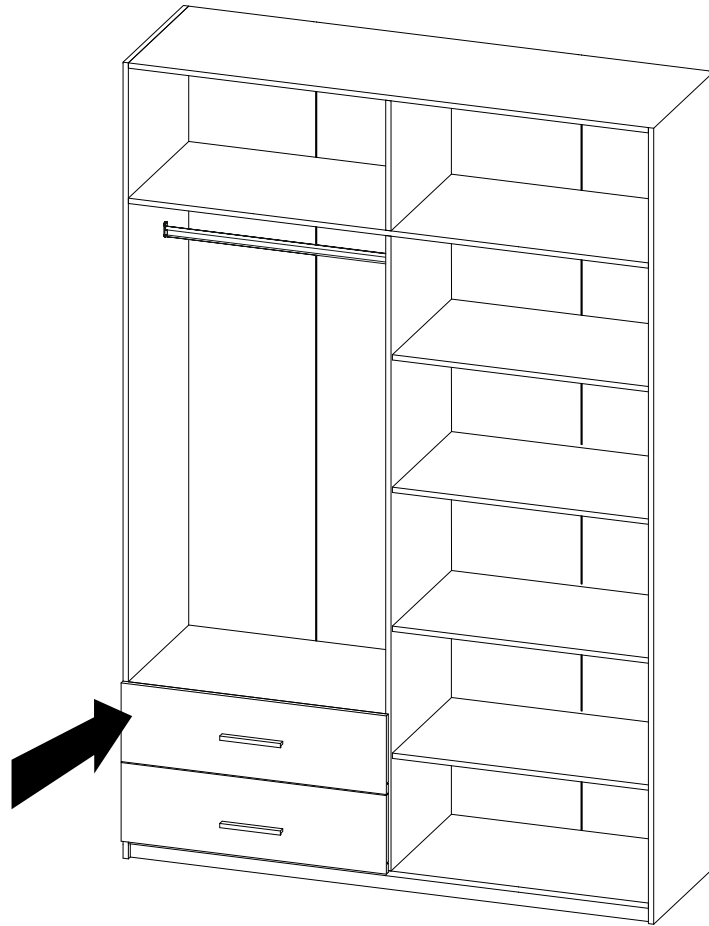
12 8x  $\phi 7 \times 13 \text{ mm}$ **e3**

2x  **w5^{CR}**

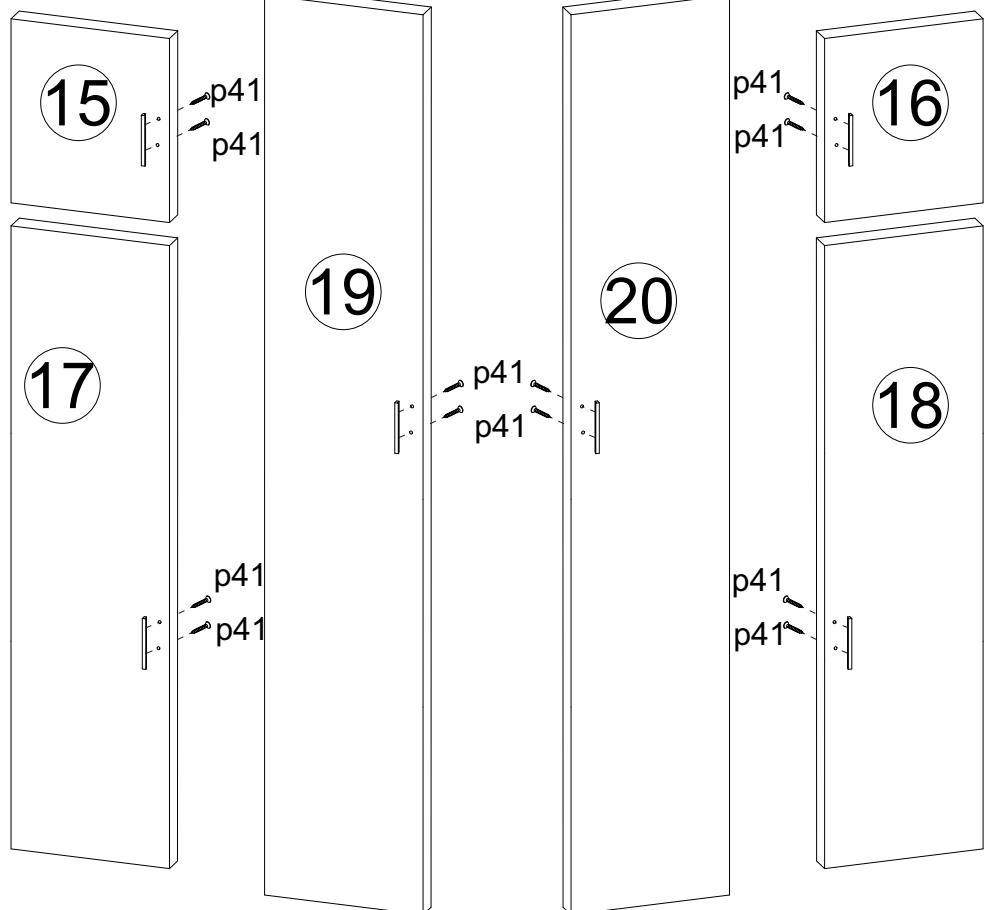
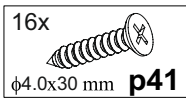
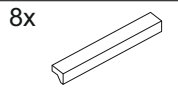
2x  **w5^{CL}**



13



14



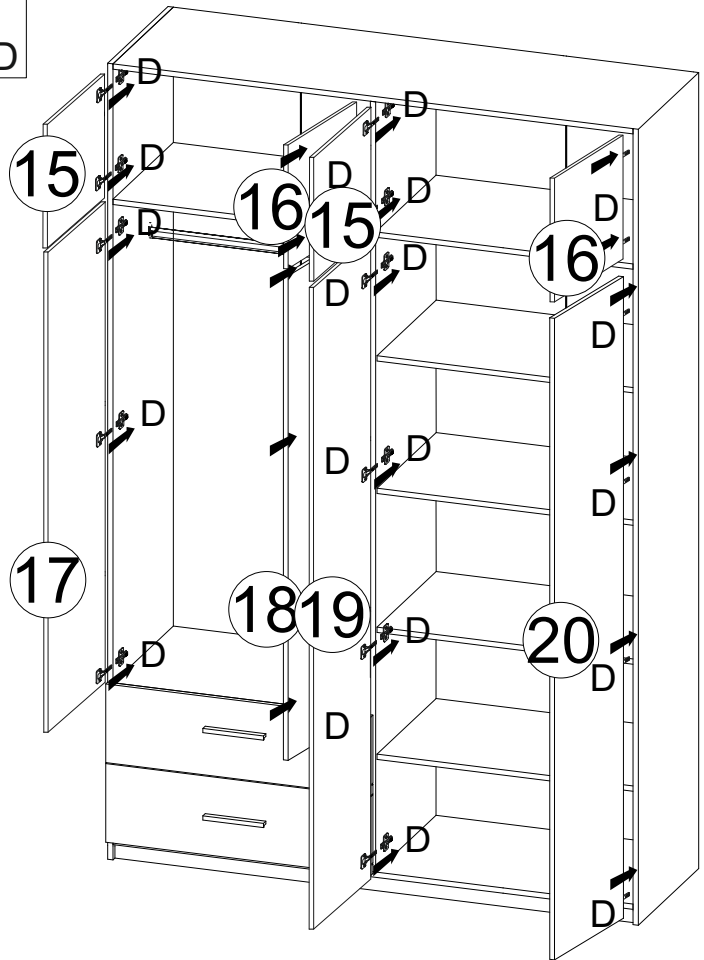
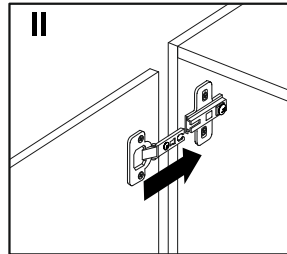
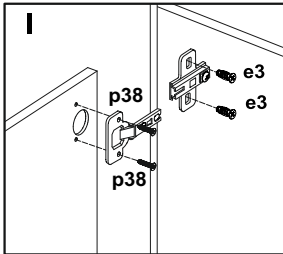
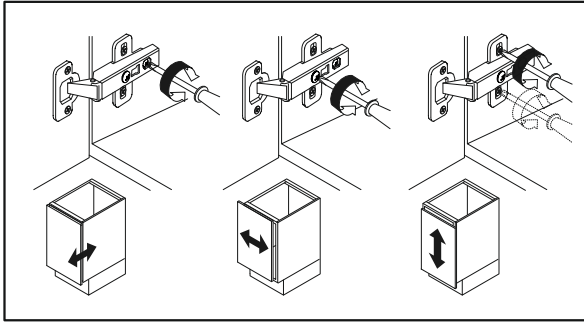
15

44x
φ3,5x16 mm **p38**

16x
φ6,4x8 mm **e4**

28x
φ6x13 mm **e3**

22x
D



16

4x
φ3,5x16 mm **p38**

