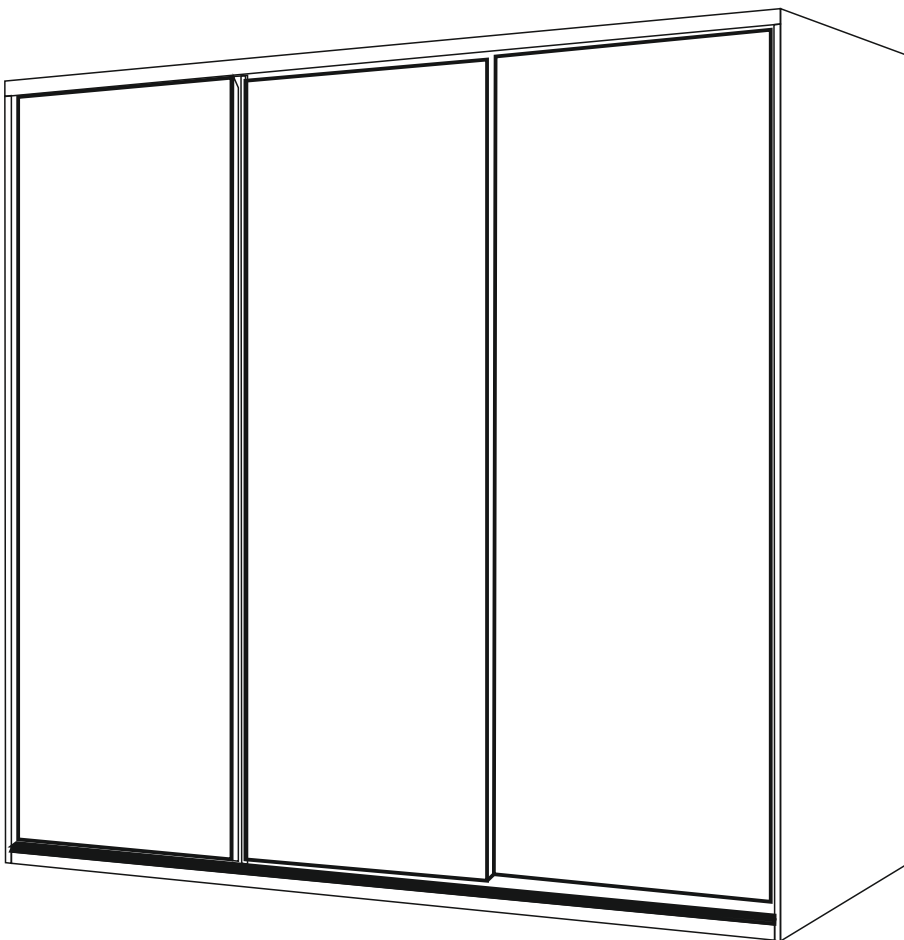


# Sliding wardrobe City Lite 2250x1800x600 mm

## ASSEMBLY INSTRUCTION

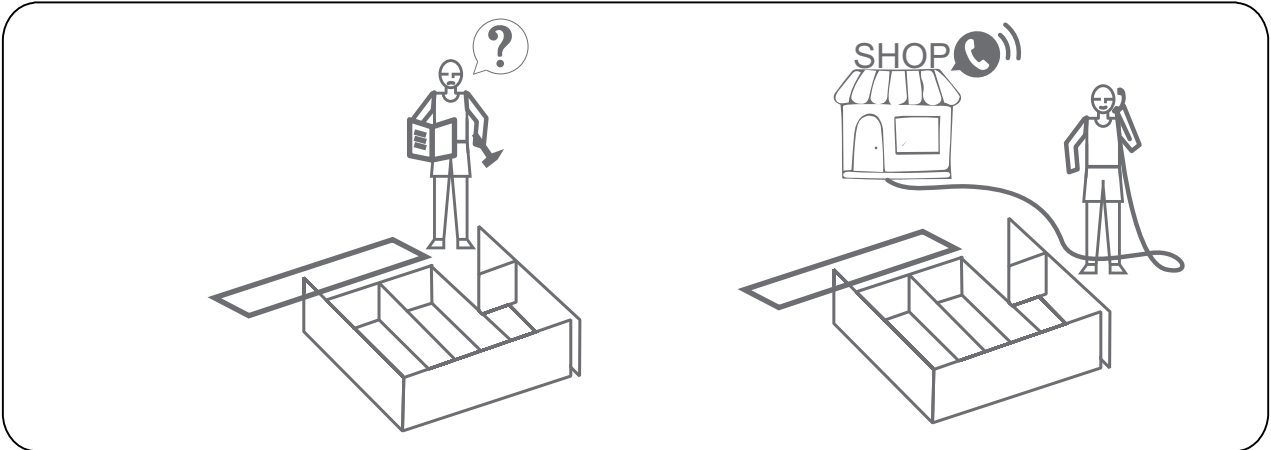
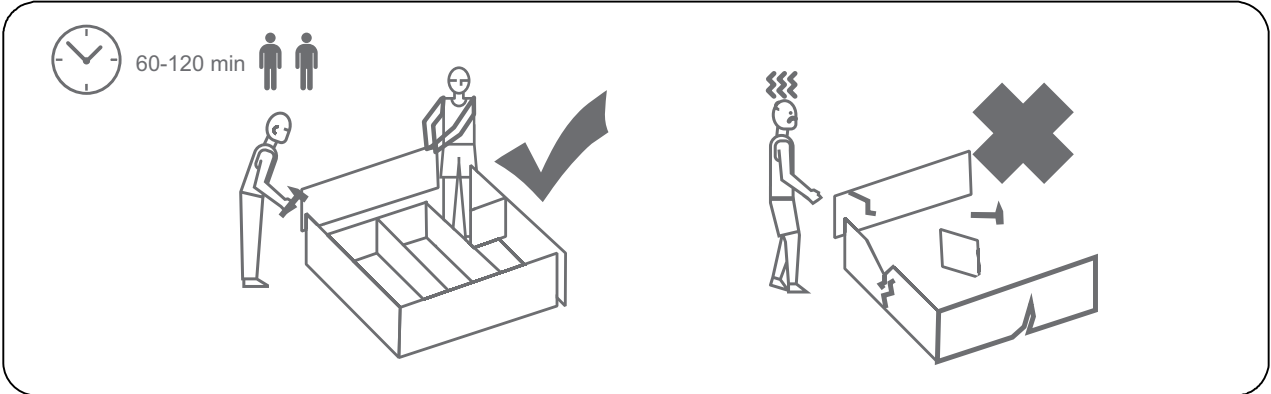
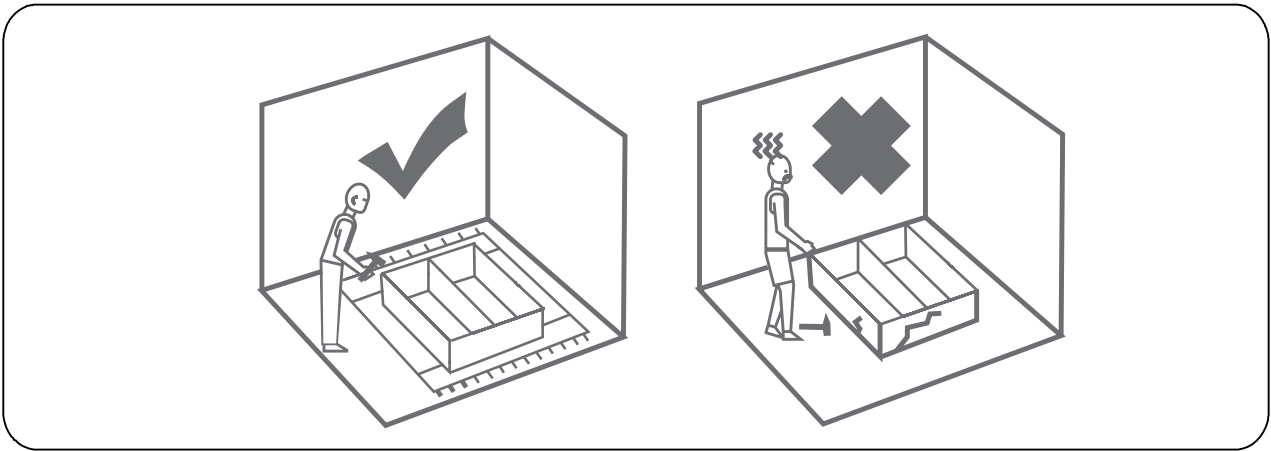
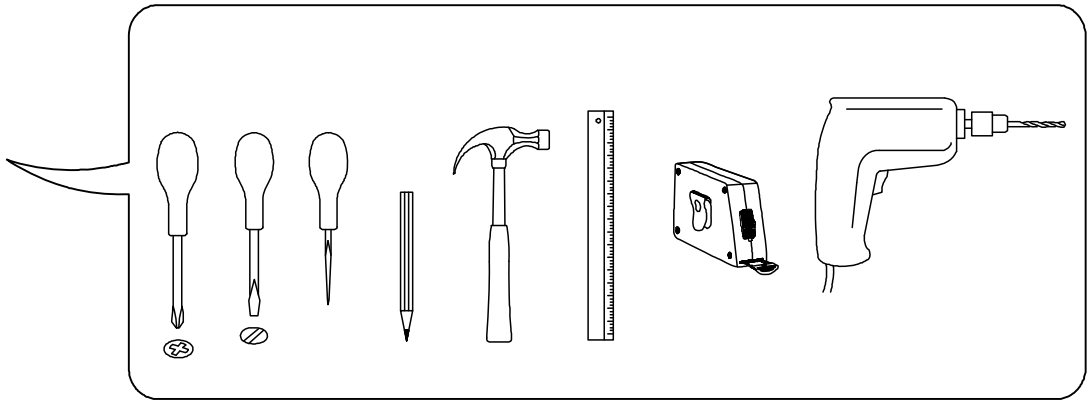


Dimensions  
Height: 2250 mm  
Width: 1800 mm  
Depth: 600 mm



### **RULES FOR USE AND CARE OF FURNITURE**

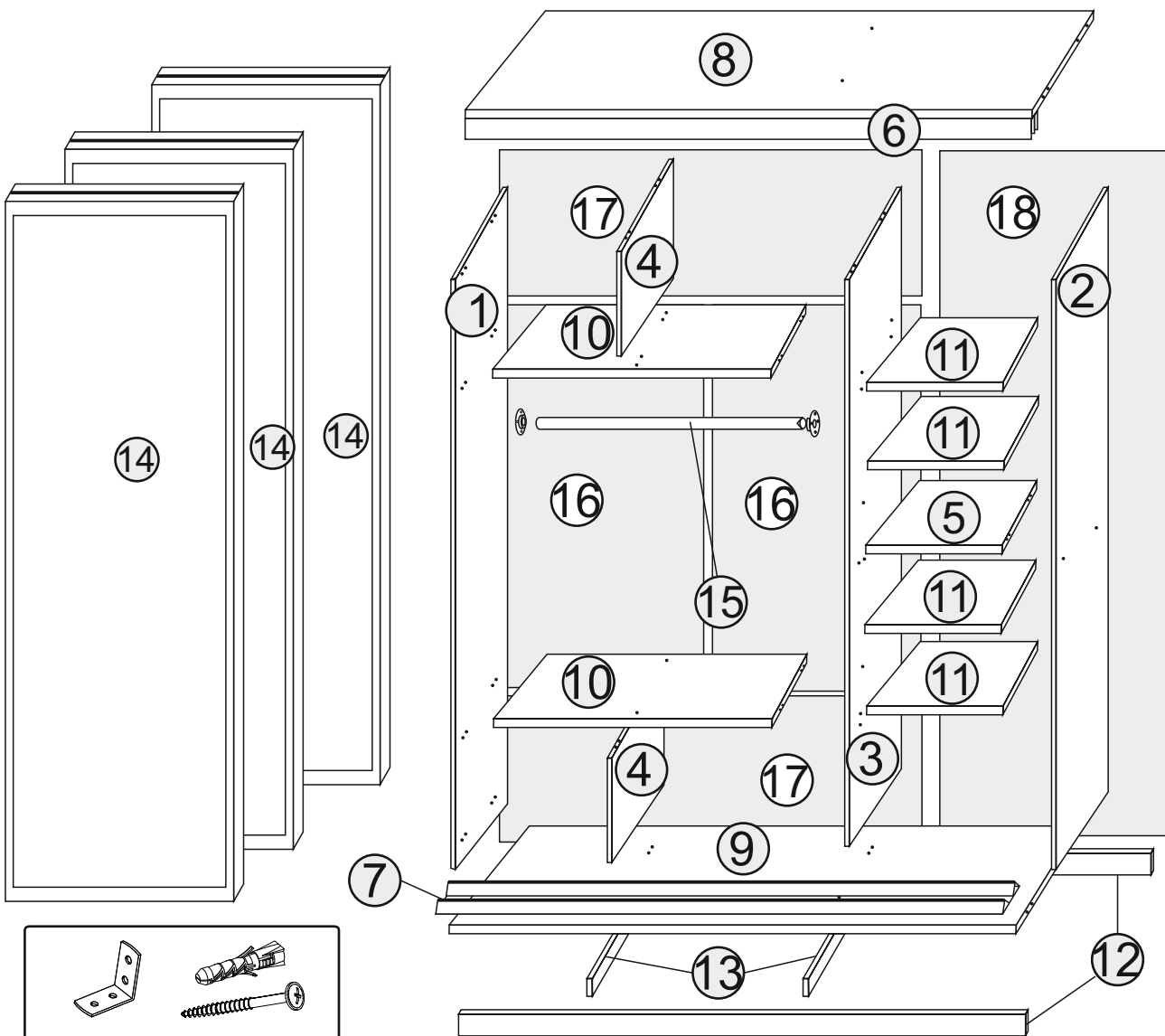
1. Use furniture only in dry rooms protected from the effects of weather conditions.
2. Install with suitable tools according to these assembly instructions.
3. Try to assemble as close to the location as possible.
4. The body is assembling in a horizontal position.
5. Before moving furniture, make sure that it is not loaded with items.  
**Caution:** moving furniture may damage it.  
When moving, hold on to vertical elements only; moving furniture by horizontal parts can break the product.
6. Overloading the furniture can damage it.
7. From time to time check the fittings and their correct position.
8. Wipe the furniture surface only with a slightly damp cloth or paper towels. Do not use chemical cleaning agents other than those specifically made for this.

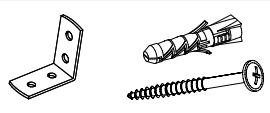


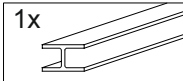
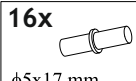
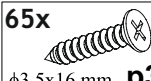
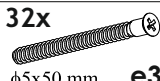
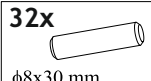
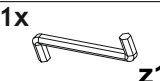



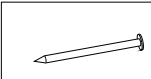
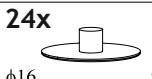

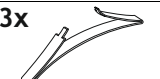
# PARTS LIST

№	Description	Dimensions		№ pack	Qty.
01	Side stand left	2250	598	1/3	1
02	Side stand right	2250	598	1/3	1
03	Inner stand	2170	500	1/3	1
04	Inner stand 2	1170	480	1/3	1
05	Back wall (fiberboard)	2200	597	1/3	3
06	Guide profile top	1768		2/3	1
07	Guide profile bottom	1768		2/3	1
08	Roof	1768	598	2/3	1
09	Bottom	1768	598	2/3	1

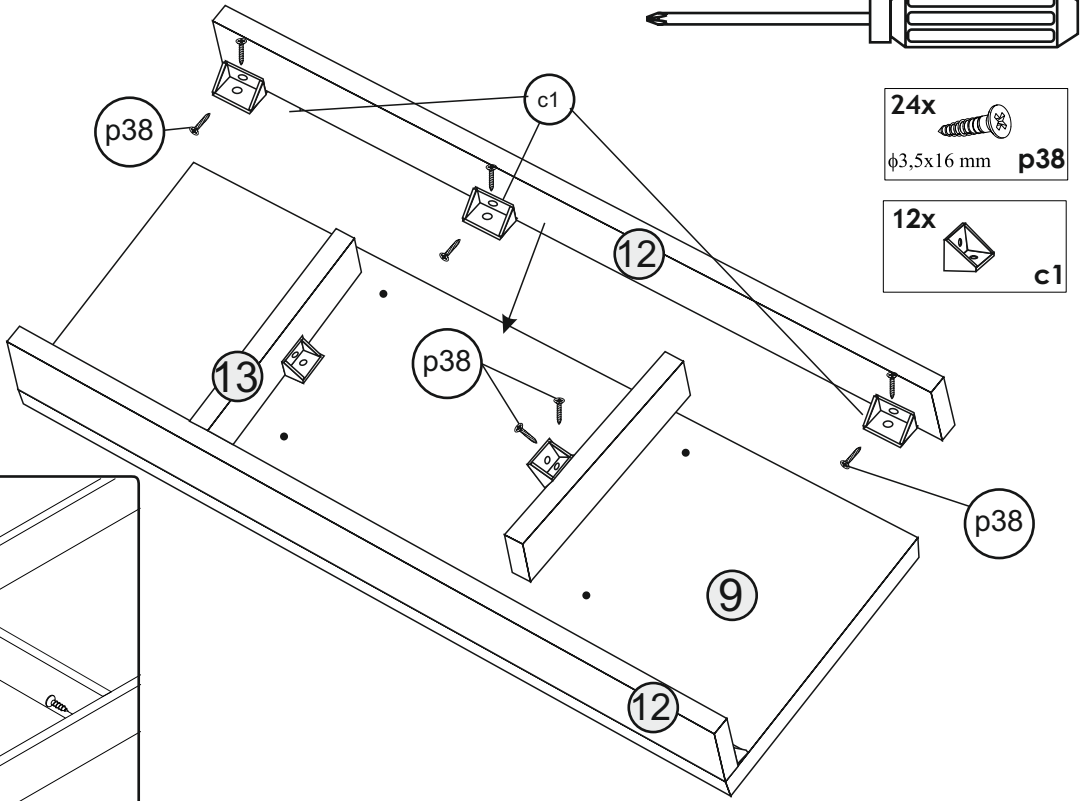
№	Description	Dimensions		№ pack	Qty.
10	Полиция	1174	495	2/3	1
11	Полиция 2	578	473	2/3	4
11/2	Полиция 3	578	473	2/3	1
12	Цоколь поздовжний	1168	46	2/3	2
13	Цоколь поперечний	520	46	2/3	2
14	Двері до шафи-купе			3/3	3
15	Гардеробна труба	575	25	2/3	3



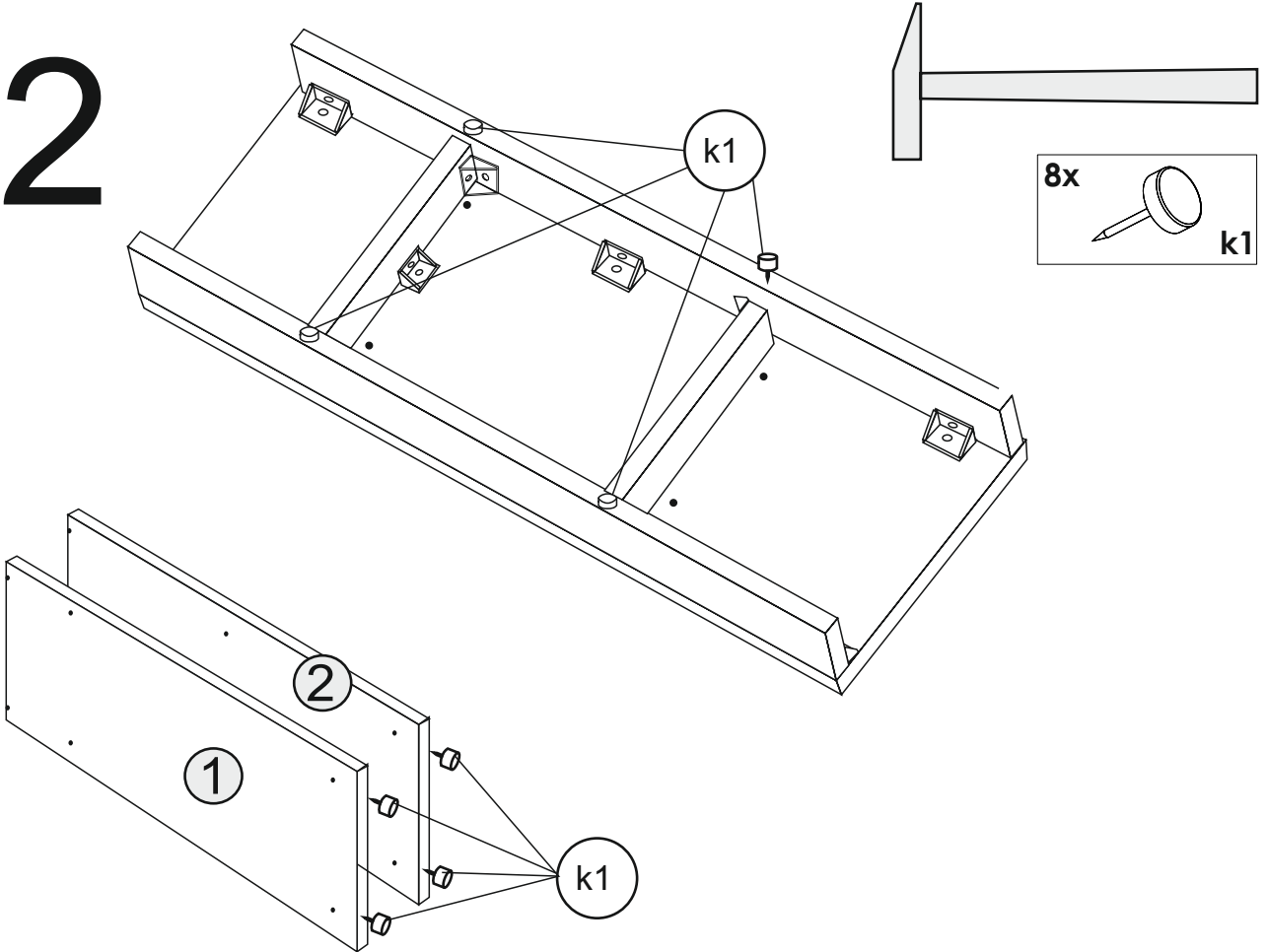
  
 The dowel and the wall mounting angle are not included. Purchase separately.

Fittings:													
1x		16x	 φ5x17 mm d1	65x	 φ3,5x16 mm p38	32x	 φ5x50 mm e32	32x	 φ8x30 mm f1	1x	 z1		
19x		2x	 n906	8x	 k1		 l1	24x	 φ16 s3	14x	 c1	3x	

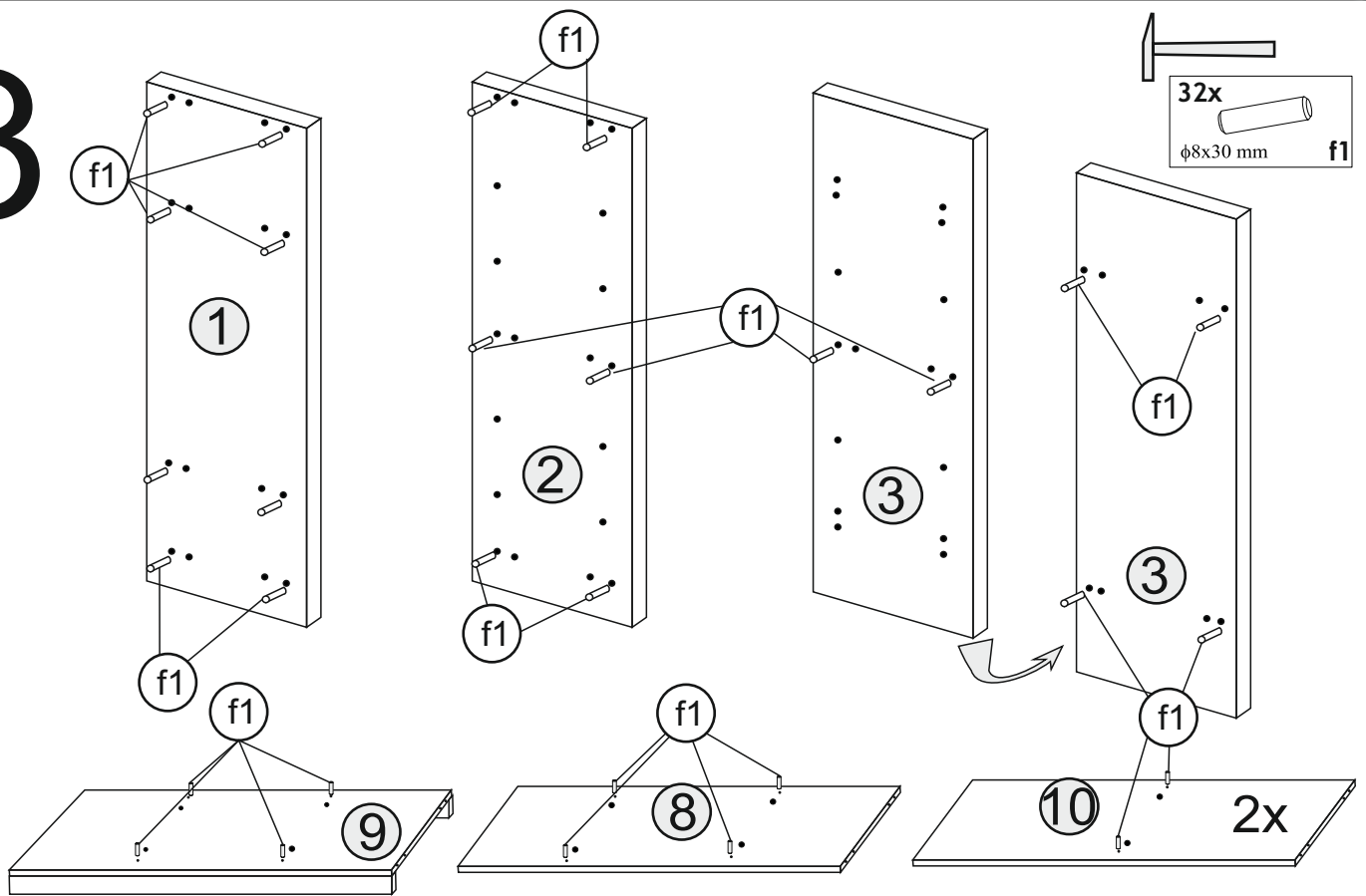
# 1



# 2

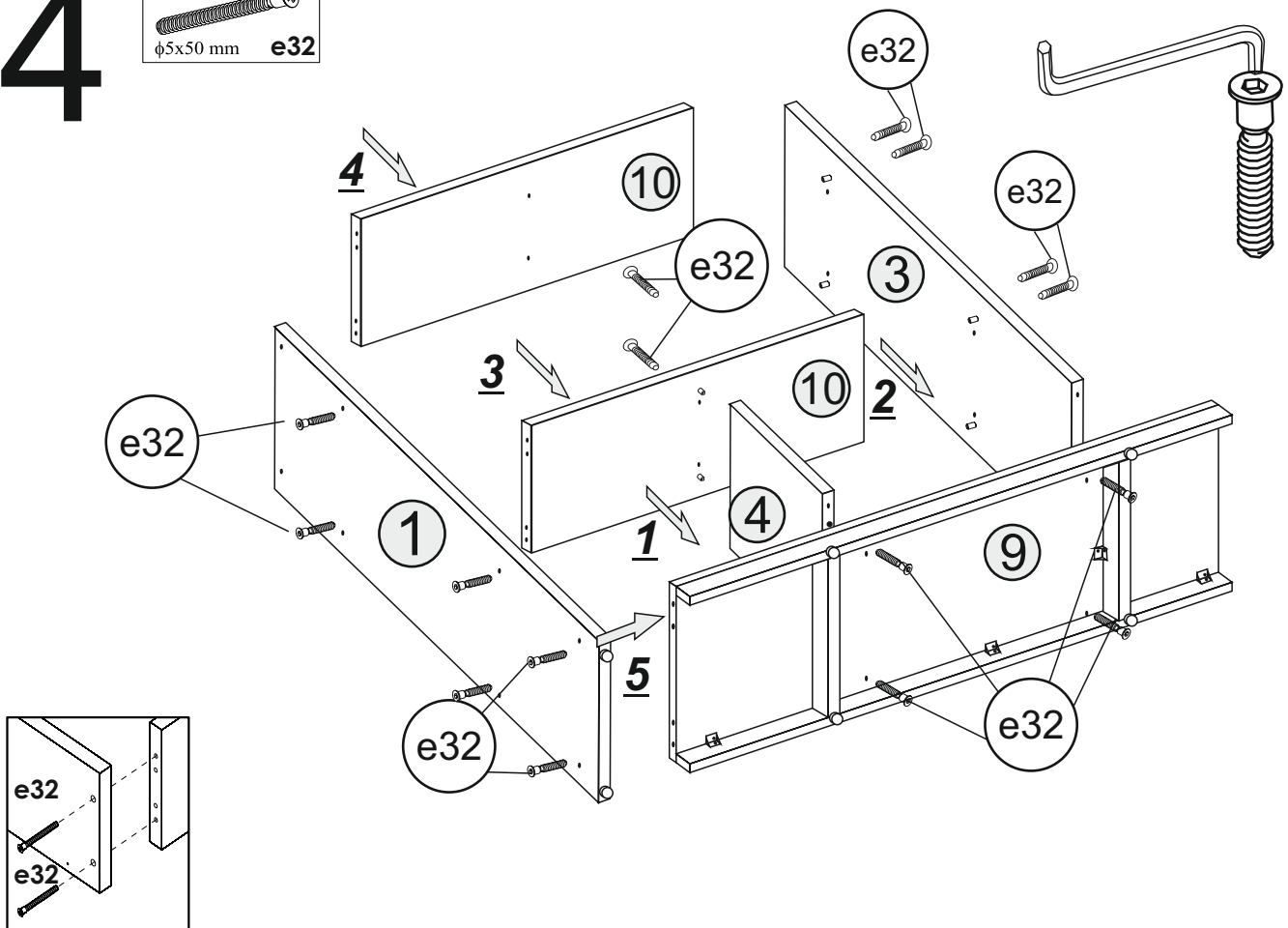


# 3

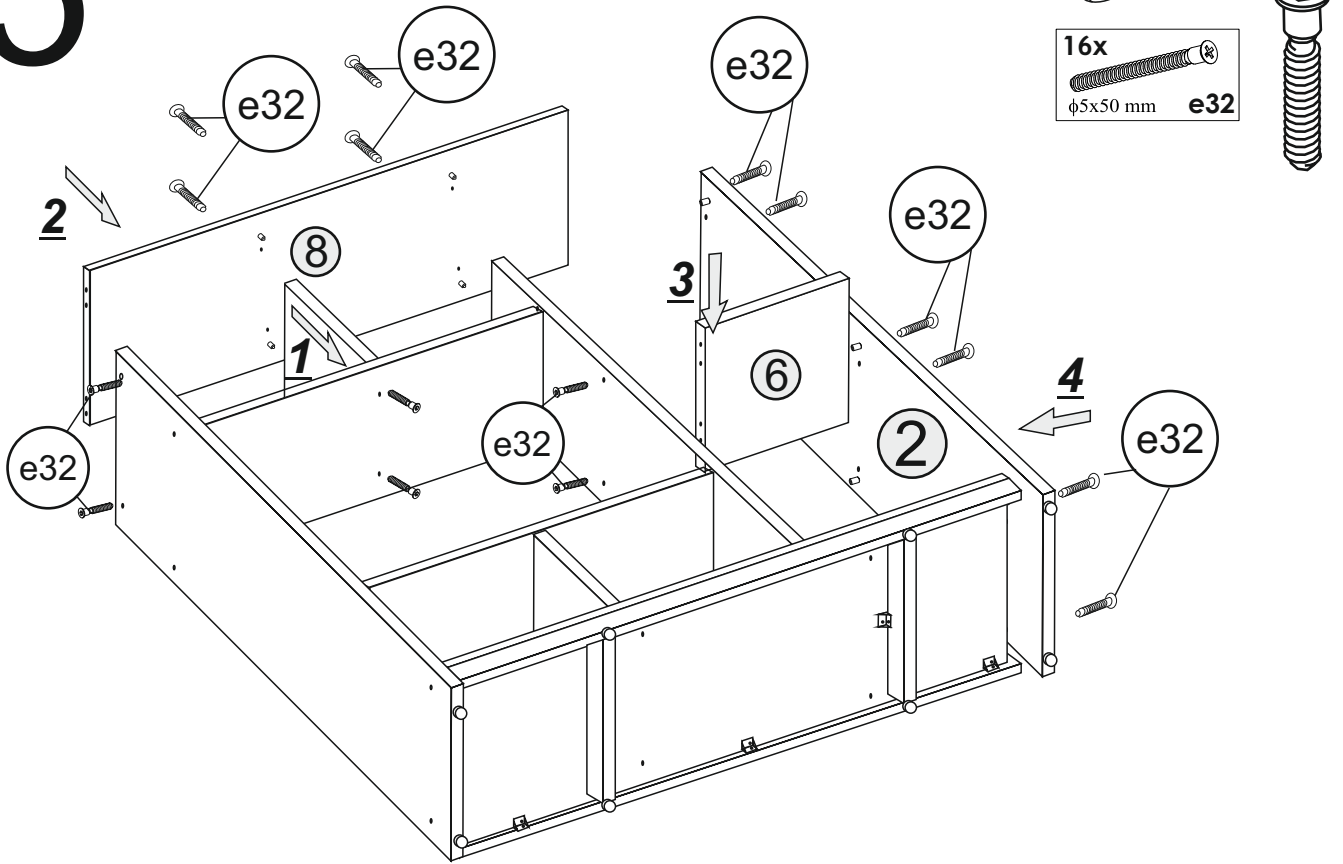


# 4

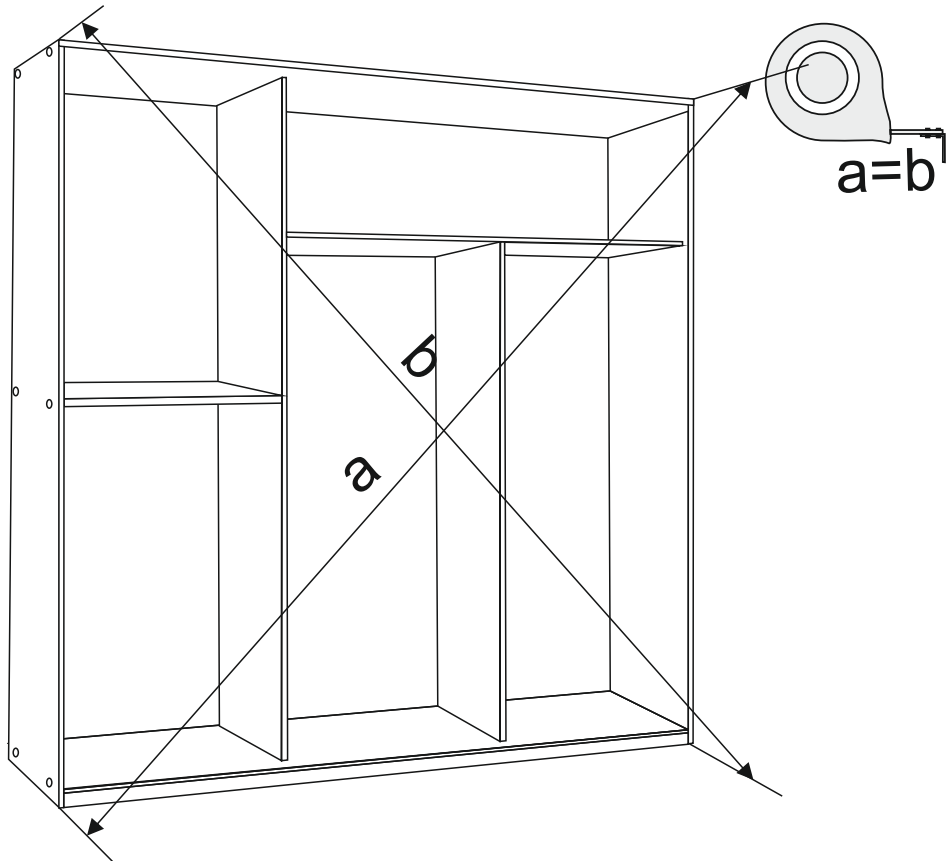
16x  
 $\phi 5 \times 50$  mm e32



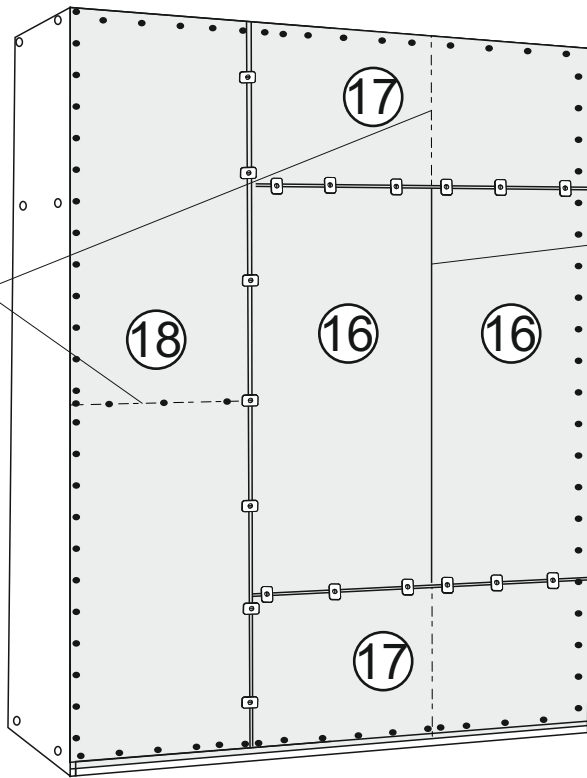
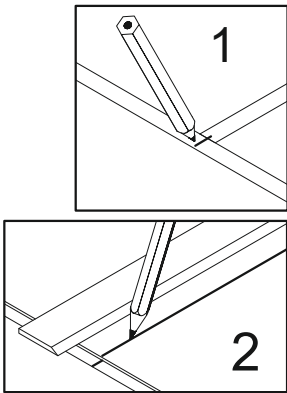
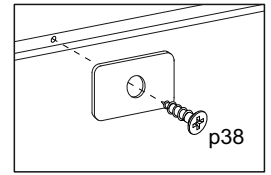
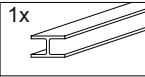
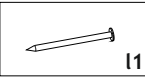
# 5



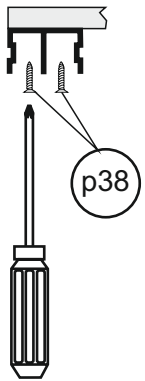
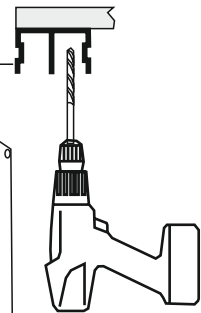
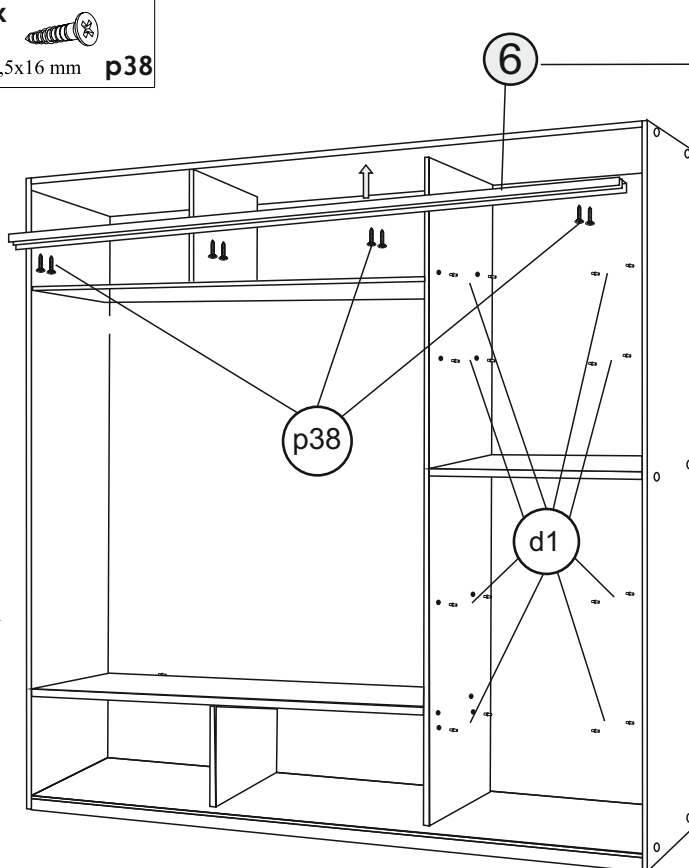
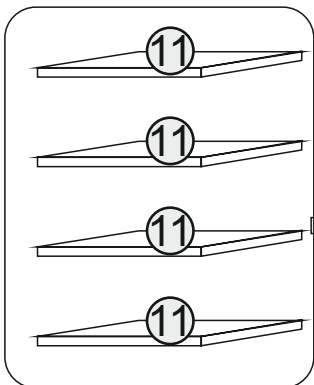
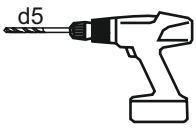
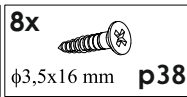
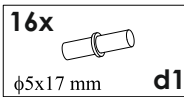
# 6



# 7



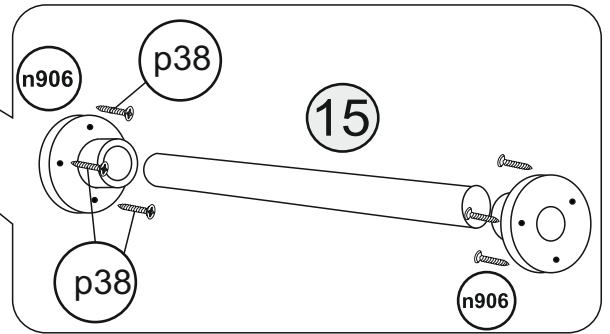
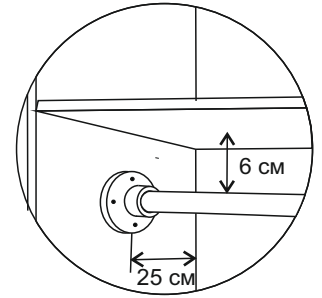
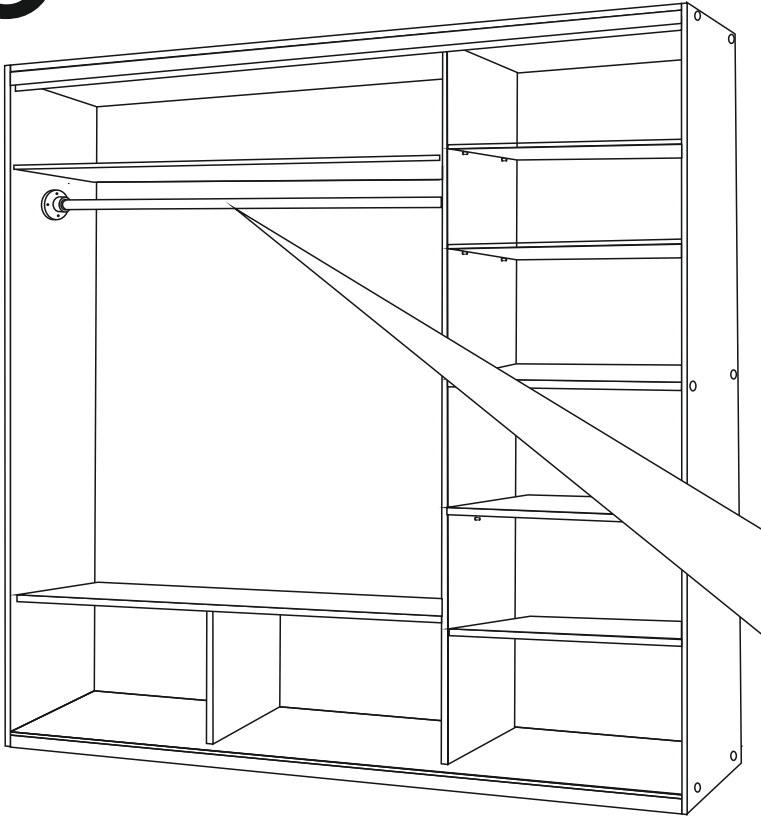
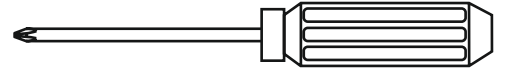
# 8



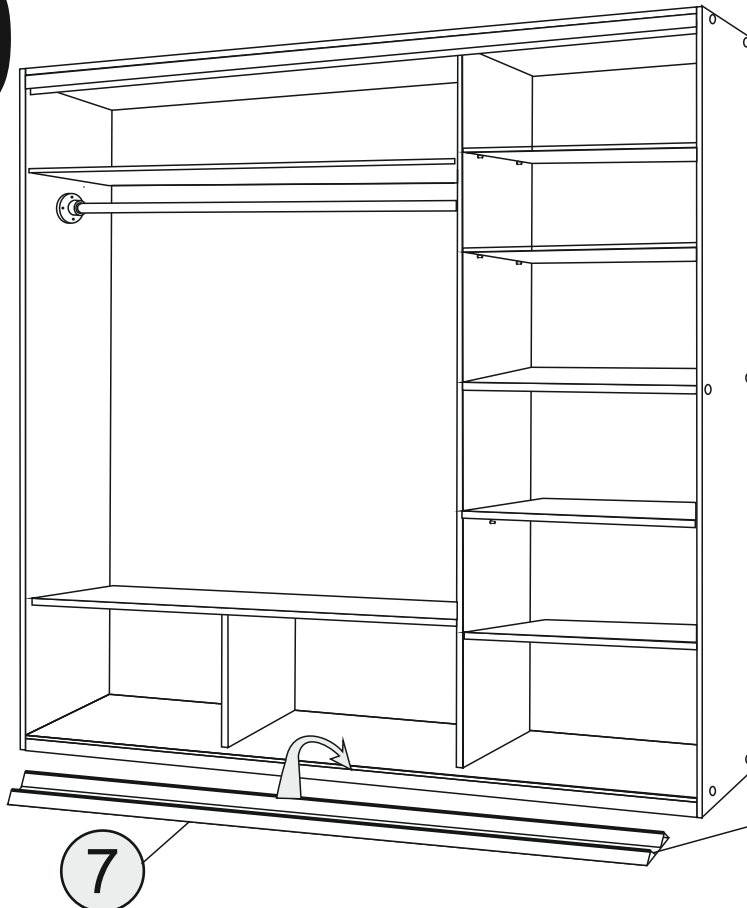
# 9

18x  
φ3,5x16 mm p38

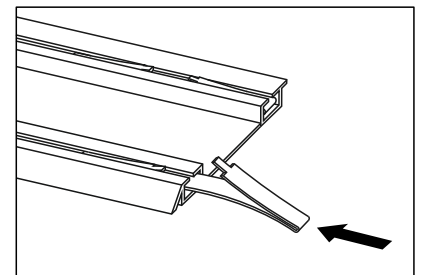
6x  
n906



# 10

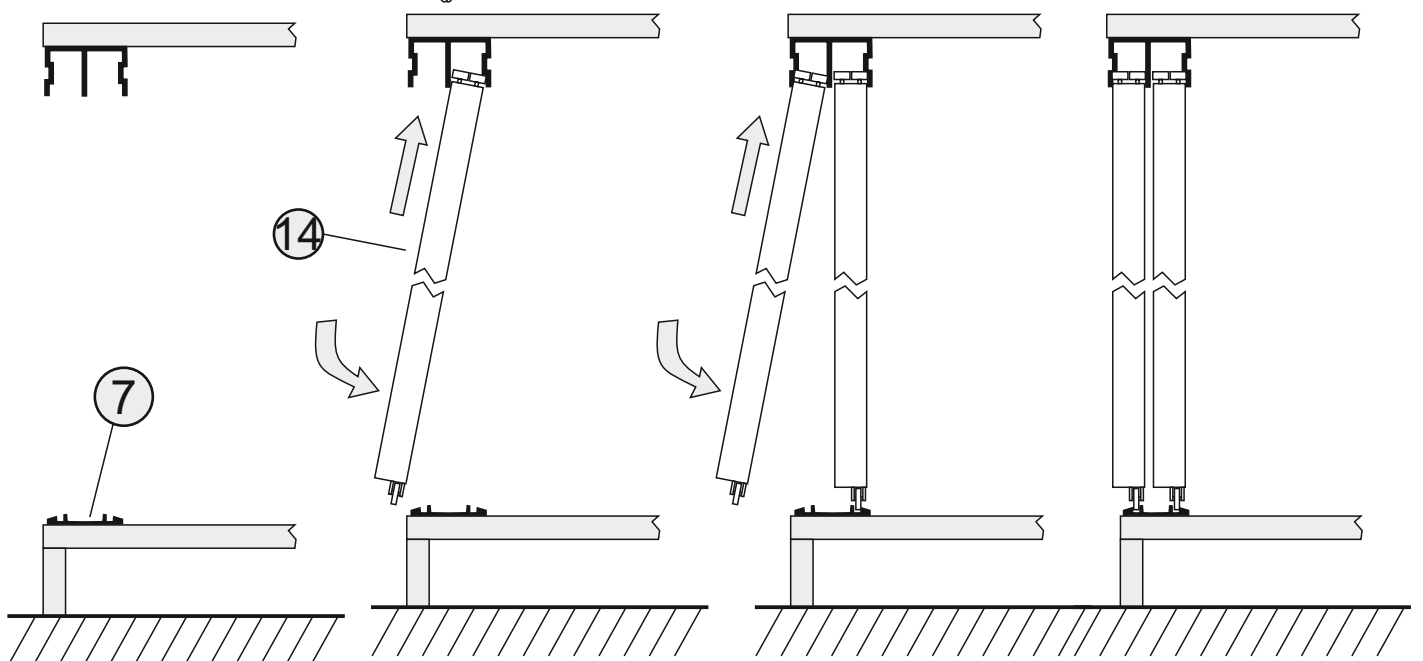
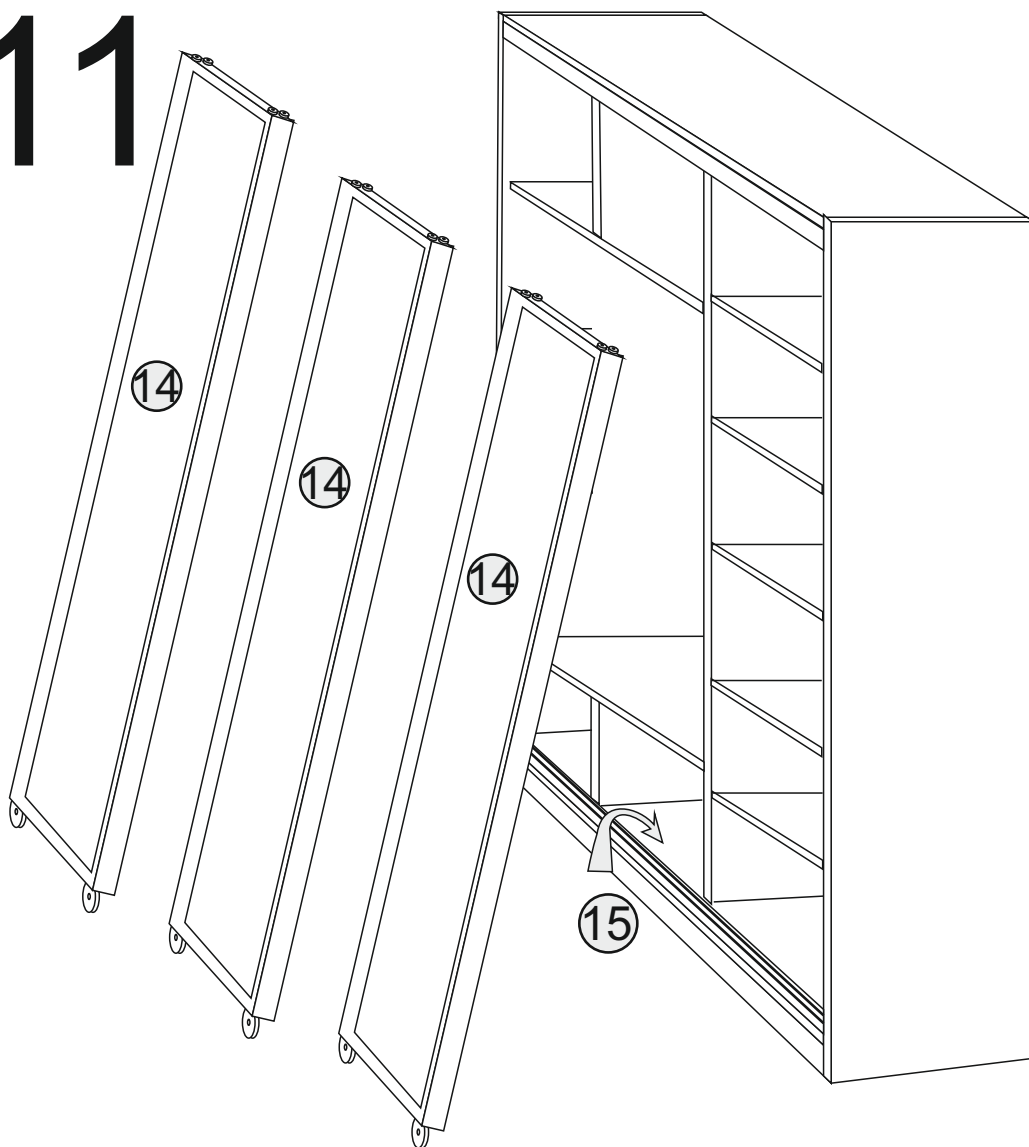


3x

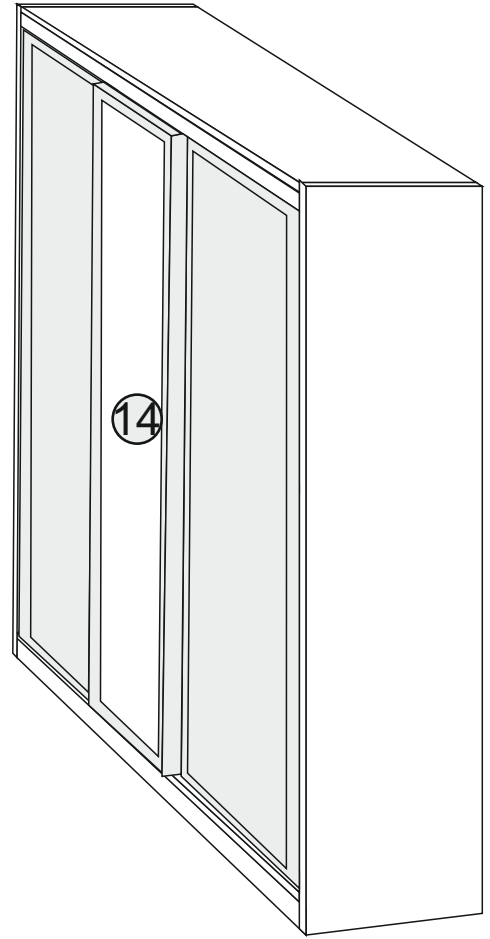
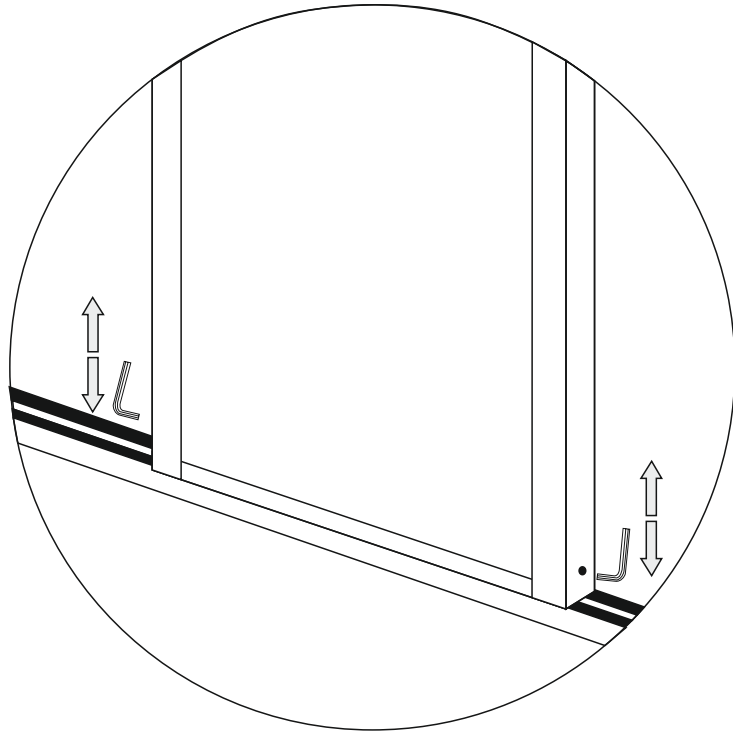




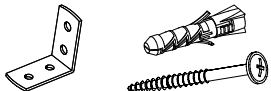
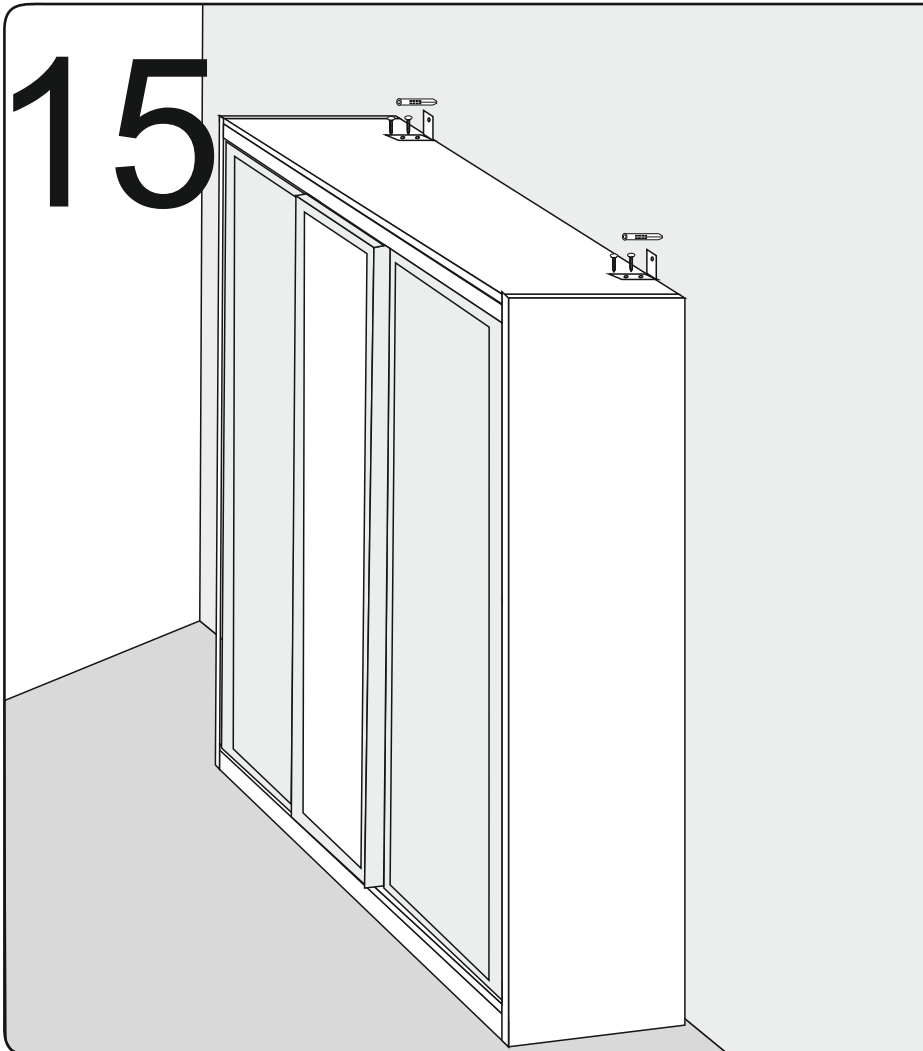
# 11



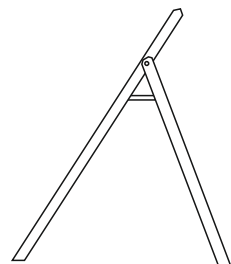
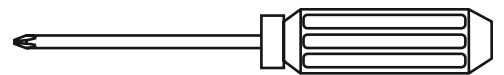
# 14



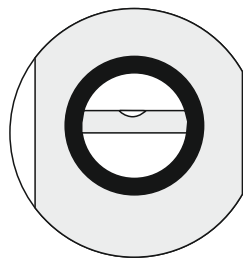
# 15



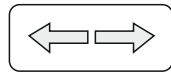
The dowel and the wall mounting angle are not included.  
Purchase separately.



# 12

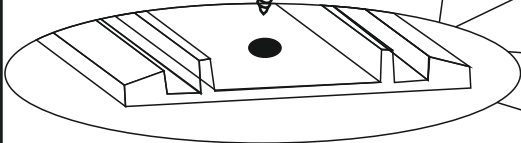


7



# 13

p38



4x



φ3,5x16 mm p38

