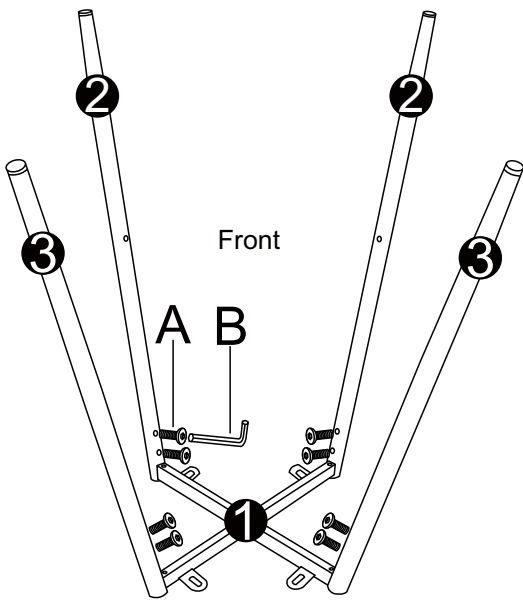
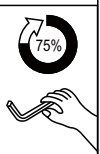
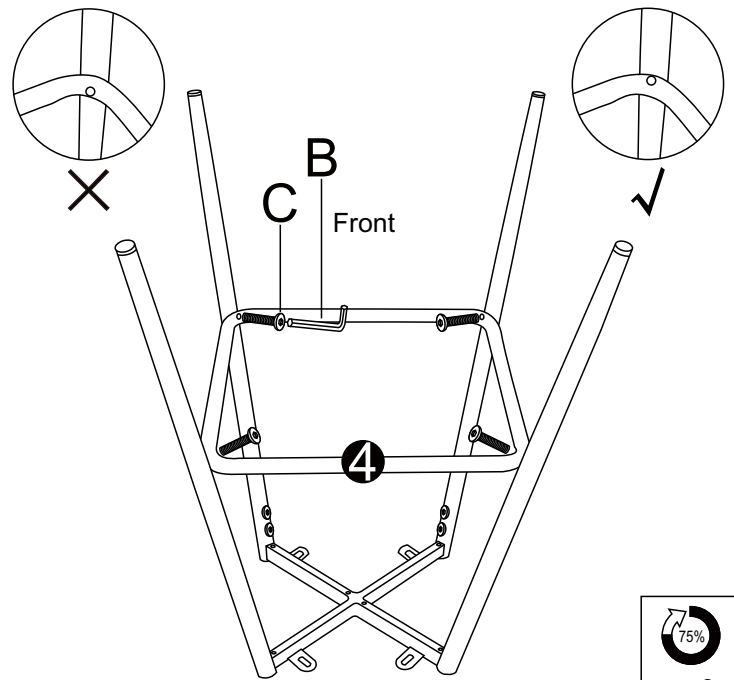


# ASSEMBLY INSTRUCTION

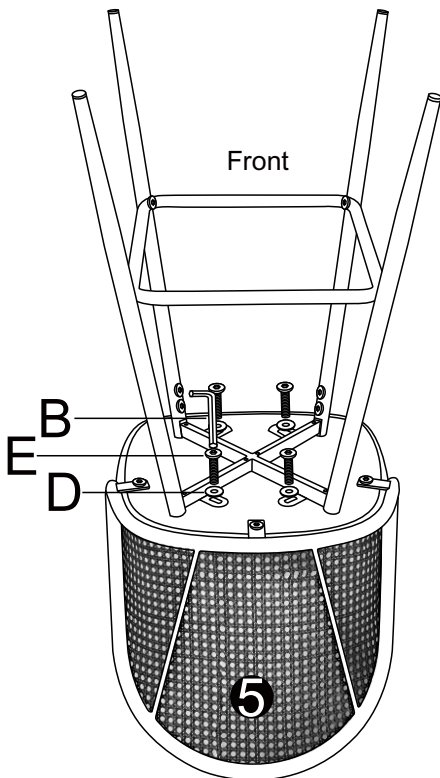
STEP:1



STEP:2



STEP:3



STEP:4

