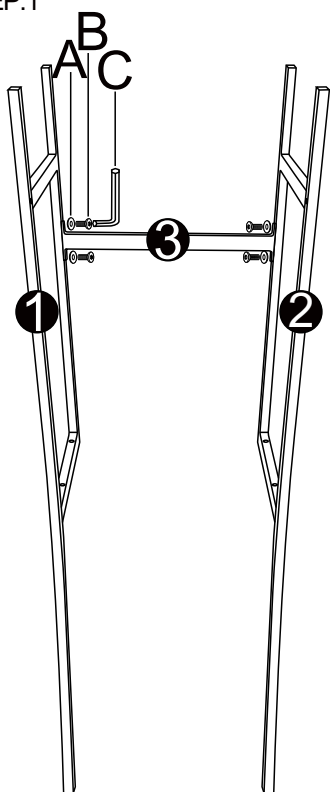


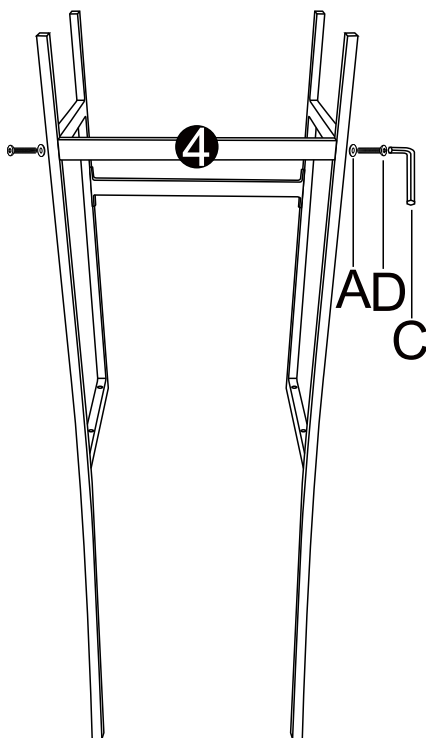
ASSEMBLY INSTRUCTION

STEP:3 **pako** world 058-000057

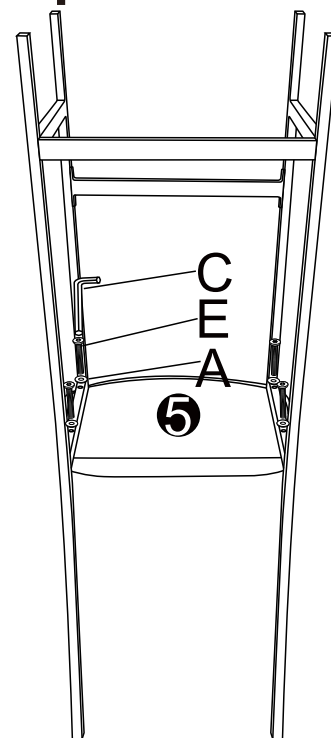
STEP:1



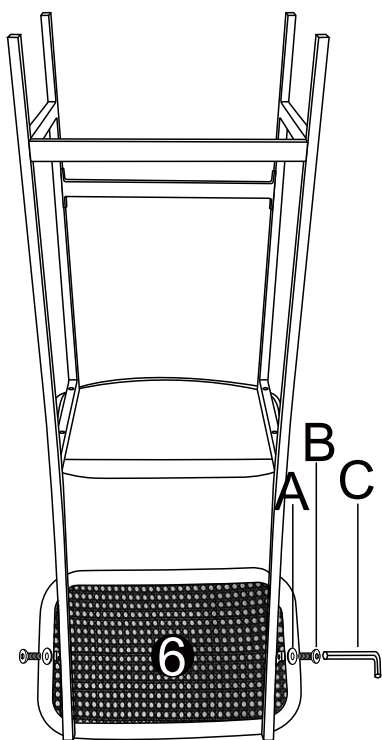
STEP:2



STEP:3



STEP:4



STEP:5

