

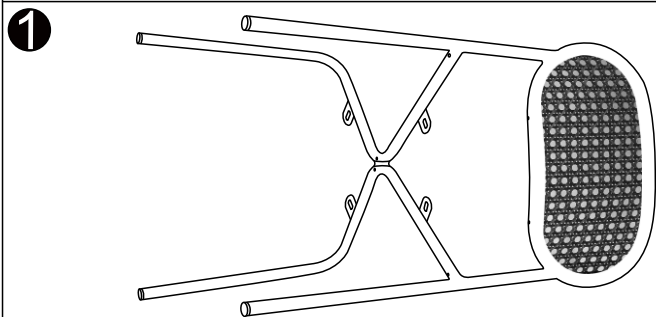
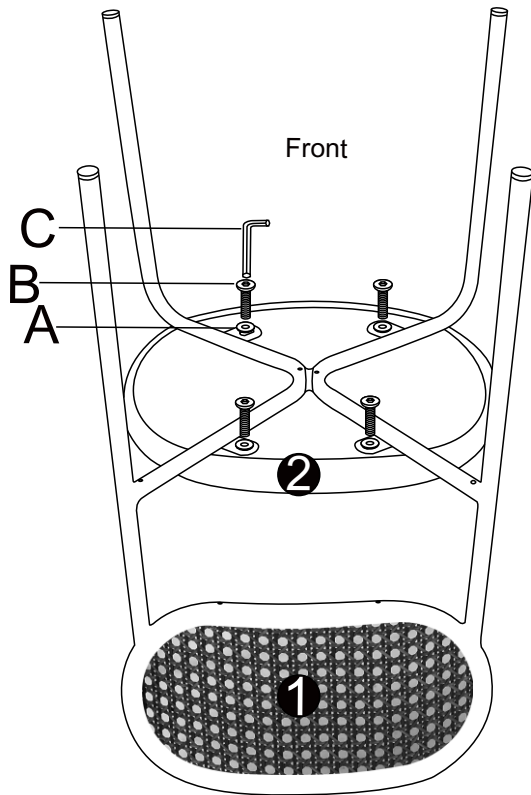
# ASSEMBLY INSTRUCTION

STEP:1

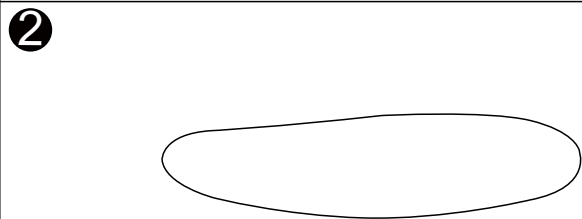
STEP:2

world  
**pako**

058-000054



x1



x1

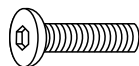
A



M6xΦ16x1.5mm

x4

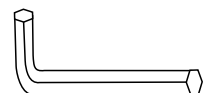
B



M6x18mm

x4

C



x1