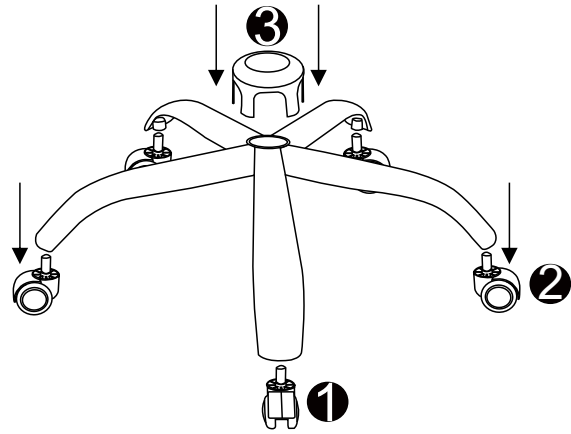


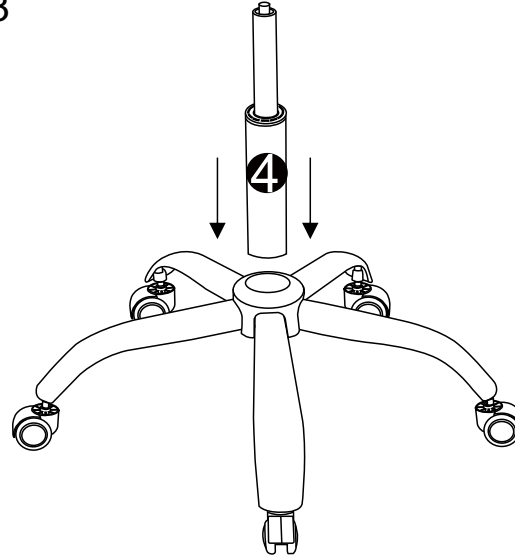
STEP 1

36

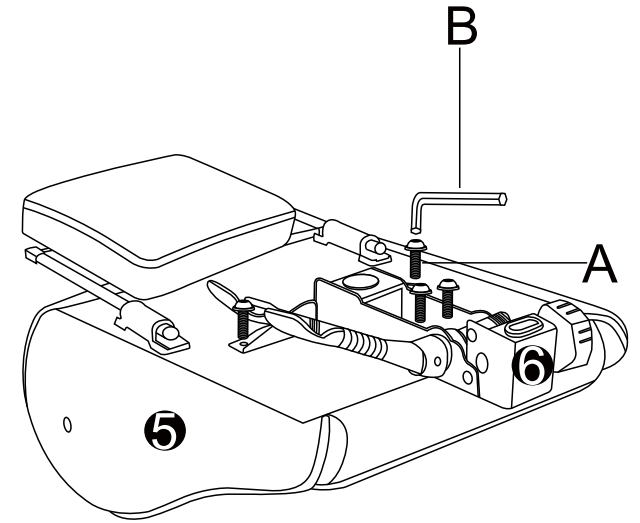


STEP 2

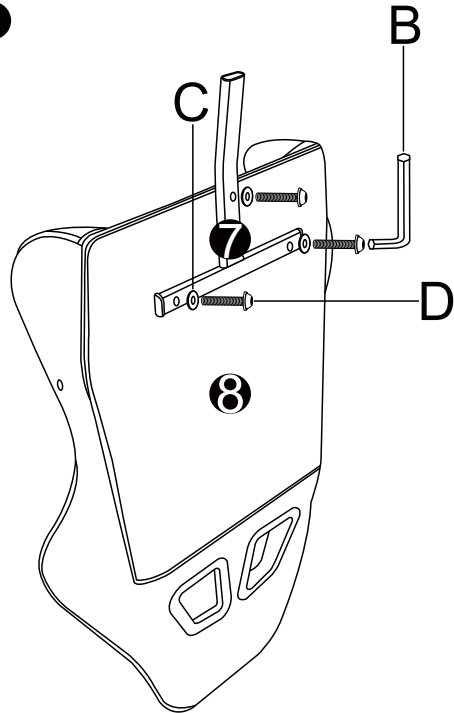
3



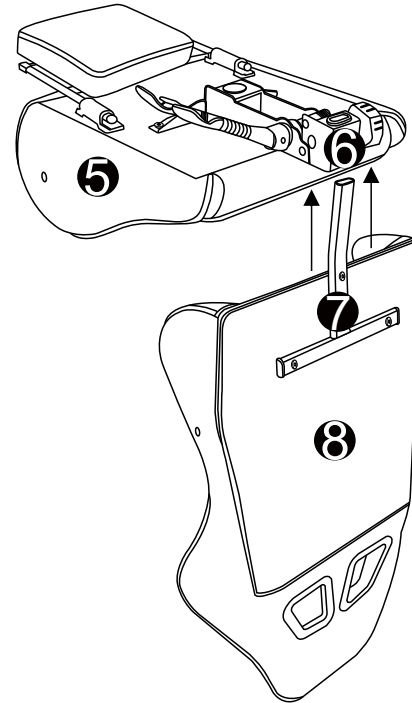
STEP 3



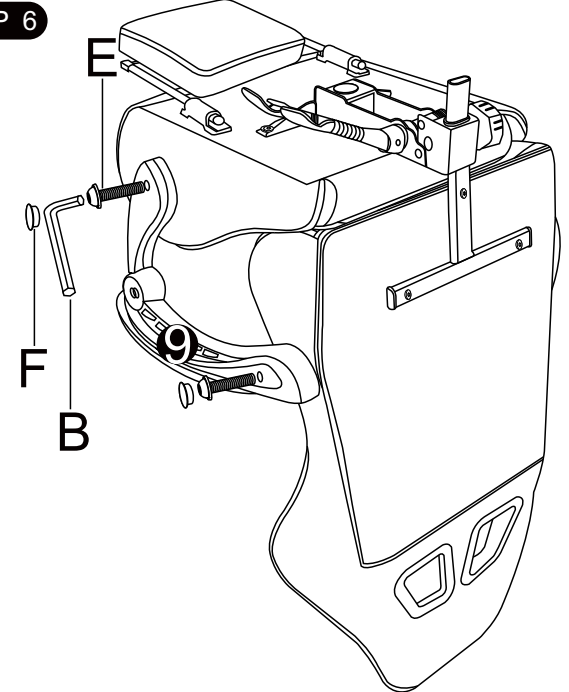
STEP 4



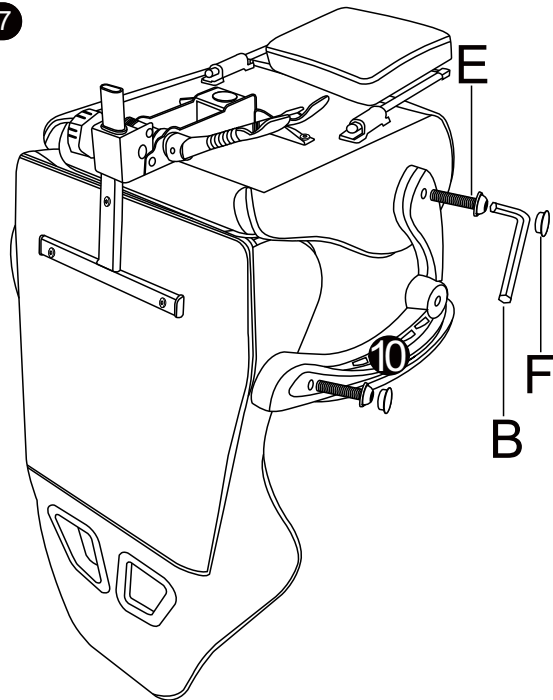
STEP 5



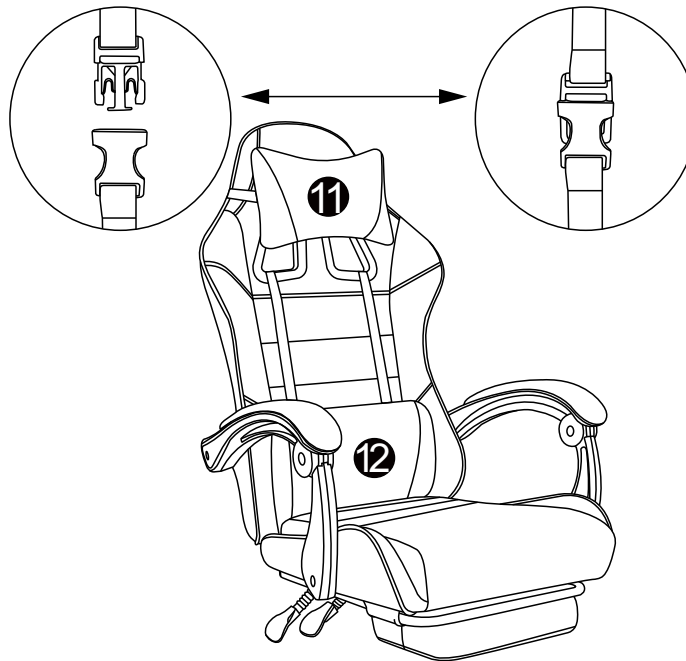
STEP 6



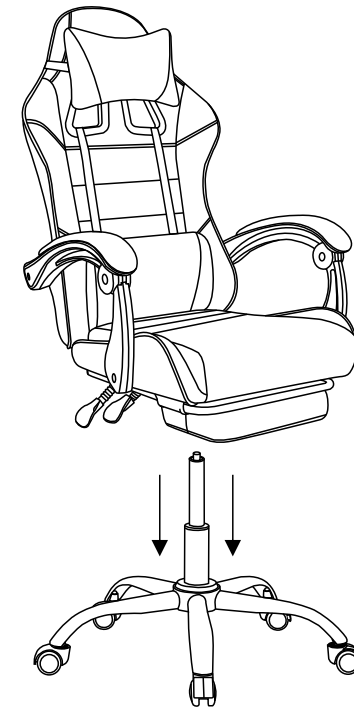
STEP 7



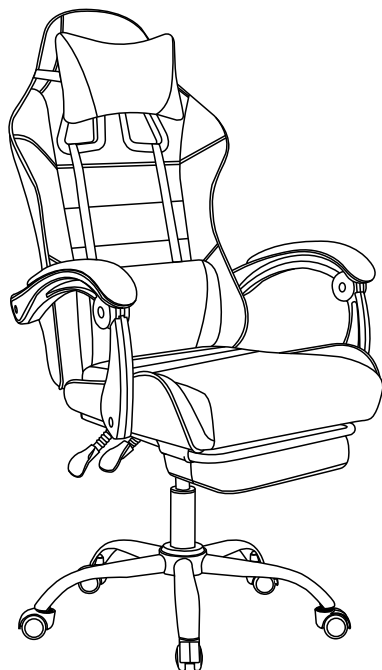
STEP 8


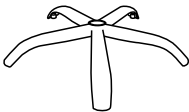



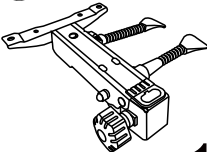
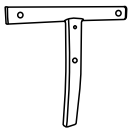


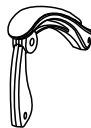
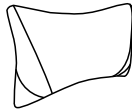
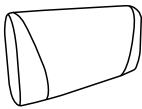
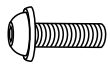







STEP 9



STEP 10



1  x5	2  x1	3  x1	4  x1	5  x1	6  x1
7  x1	8  x1	9  x1	10  x1	11  x1	12  x1
A  M6x20mm x4	B  x1	C  M6xΦ16x1.0mm x3	D  M6x40mm x3	E  M8x35mm x4	F  x4