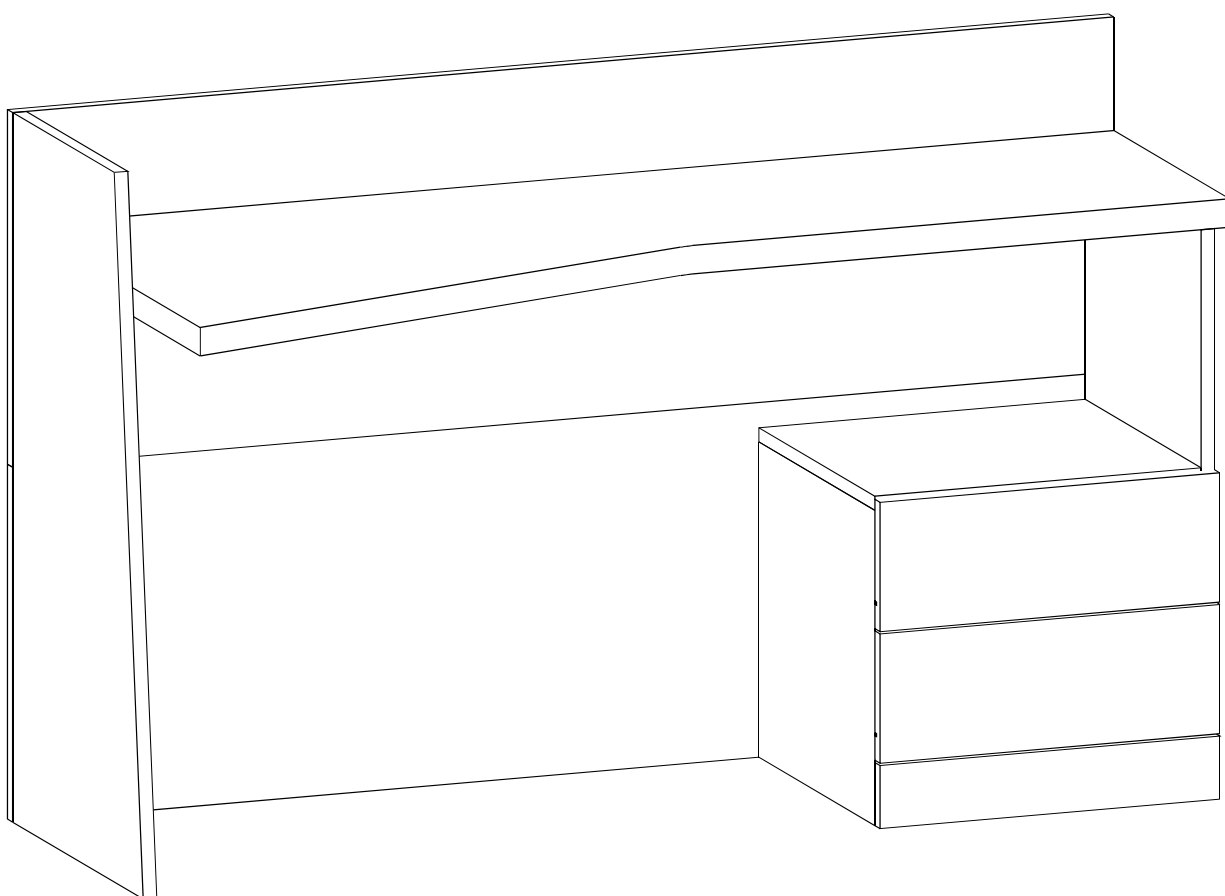
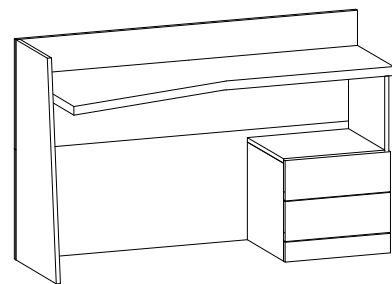


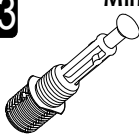

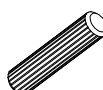






# KELVIN

---

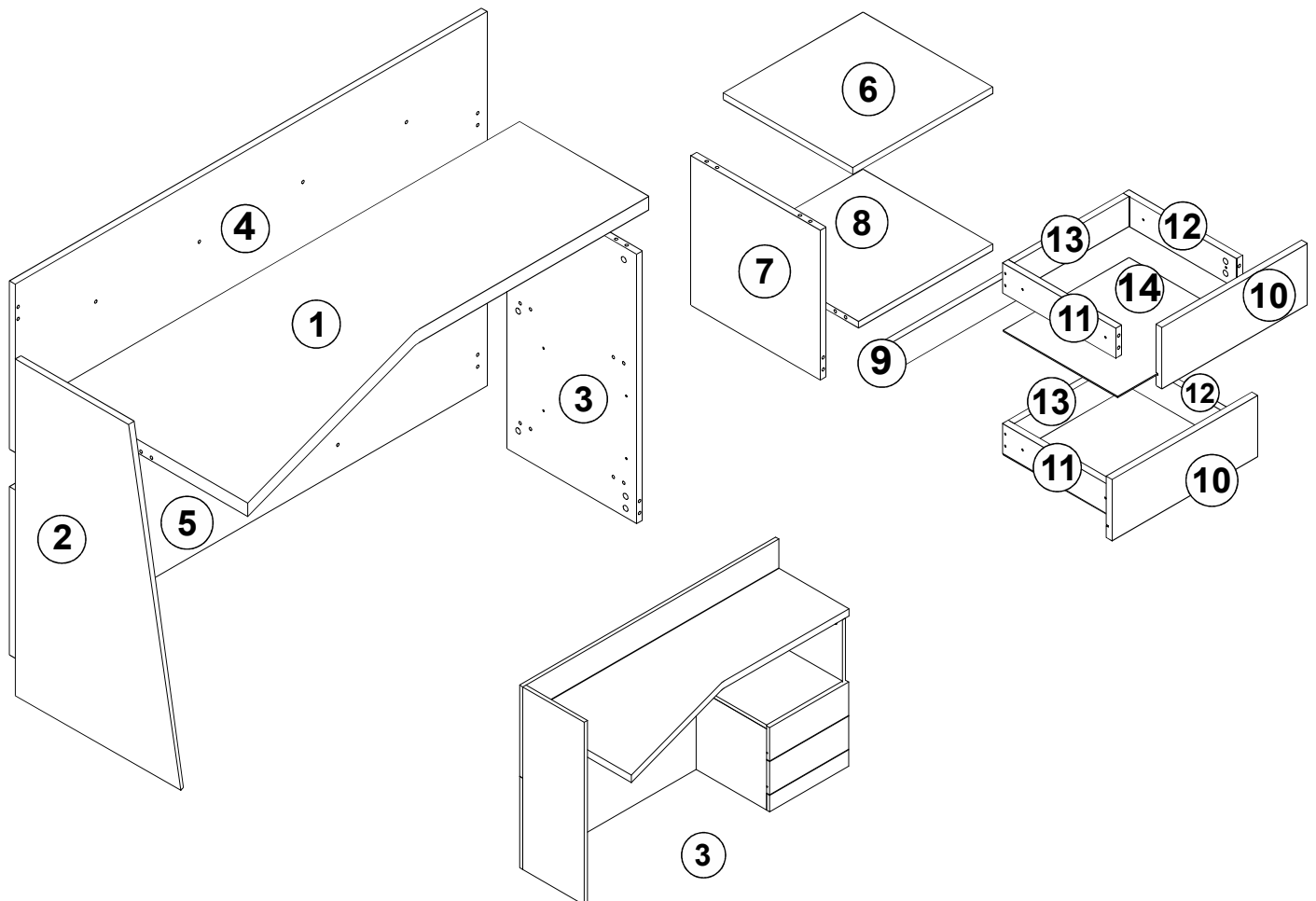


# ACCESSORY LIST

KELVIN

<b>A23</b>  Minifix M10 42	<b>A22</b>  Minifix G18 42x	<b>A04</b>  KVLV 24x	<b>A17</b>  4x50 8x	<b>A18</b>  3,5x18 8x
<b>A49</b>  KLPVD 20mm 8x	<b>BR 04</b>  BLYL 342 mm ÖZEL 2x	<b>A48</b>  AC 20x	<b>A06</b>  18 mm ANT 42x	

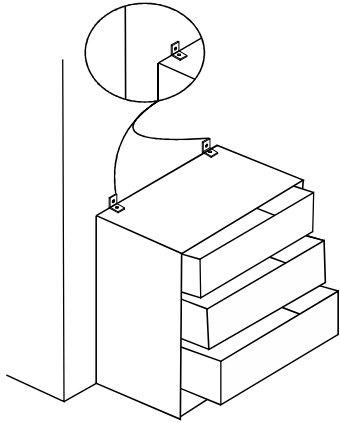
## GENERAL VIEW



Dear Customer,

We design and produce our products for people to love and have fun with them as we do.

The product you bought was subjected to all sorts of tests and control before sending out to you.



**Attention!**

Using excessive force to the furniture can cause furniture to fall. This can damage you both financially and physically. In order to avoid this situation, please use wall mounting fixtures.



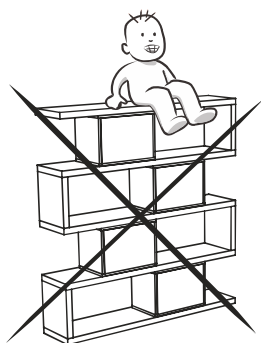
Before start assembling, please check the whole components and accessories according to the lists. If you bought more than one product, to prevent confusion be sure that you completed the first product. Then start the other product's assembling.



Before start assembling, please clean all the components with a damp cloth. Also for usual cleaning, this will be enough.



Although all the products are produced and packed carefully, sometimes happen that some component is damaged during the transportation. In such a case please check the missing or damaged part and do not hesitate to contact us. You can send e-mail to [info@minarmobilya.com](mailto:info@minarmobilya.com) or reach us at 0090 286 316 92 39

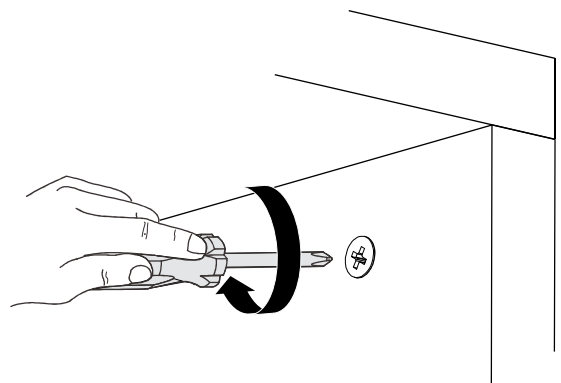
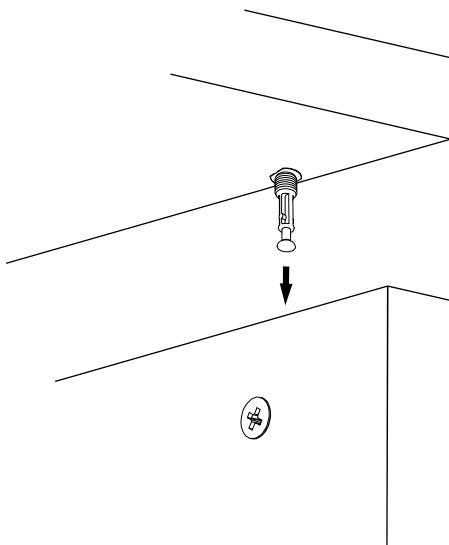
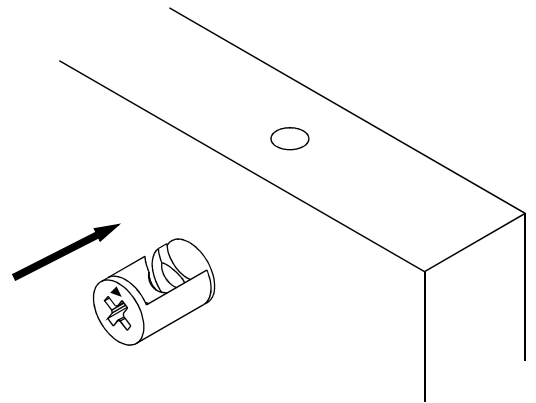
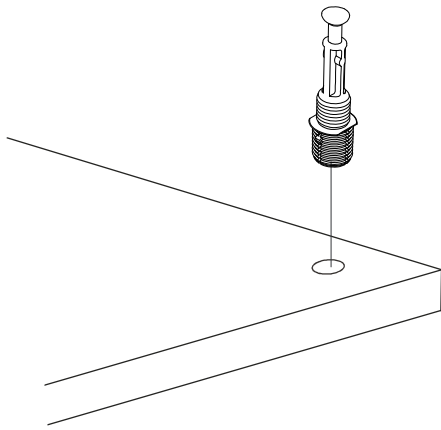
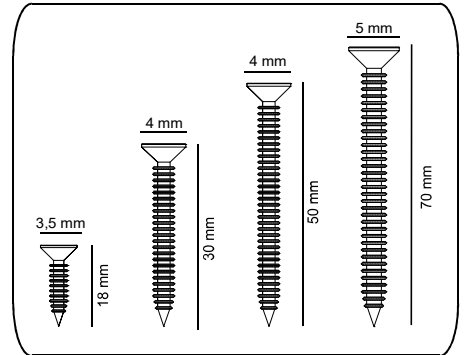
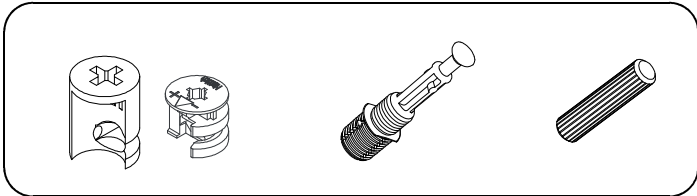


Do not use your furniture for out of purposes. If you would like to use it, please contact us for further questions.

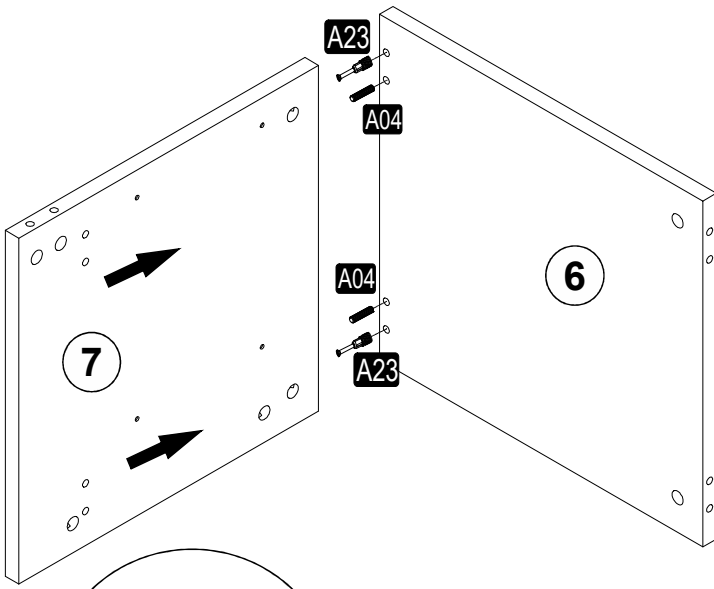
Do not directly contact your furniture with excessive heat, cold and humidity because the product can be affected..

# ATTENTION !!

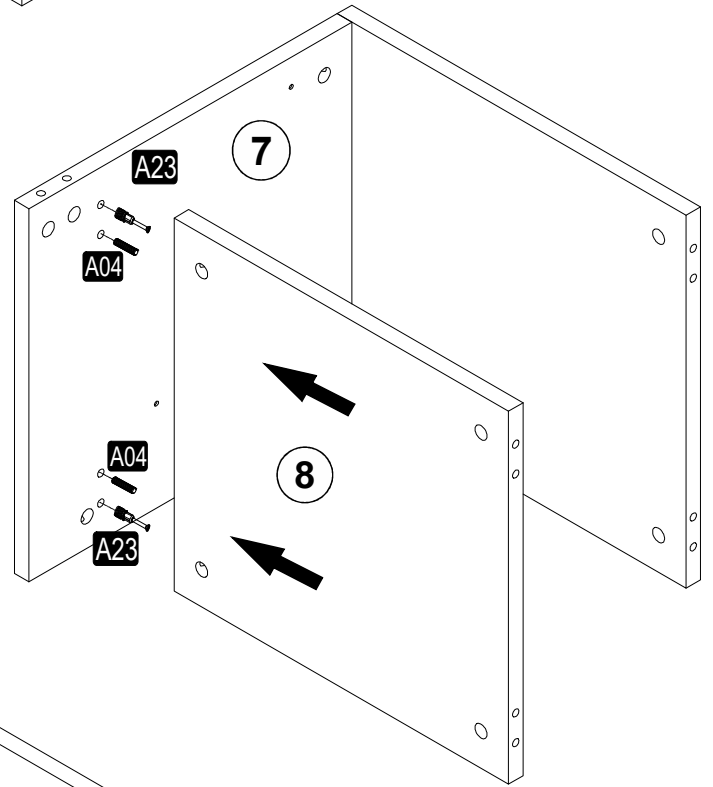
Minifix is the main connection material used in products. Before starting assembly, please check the drawings below.



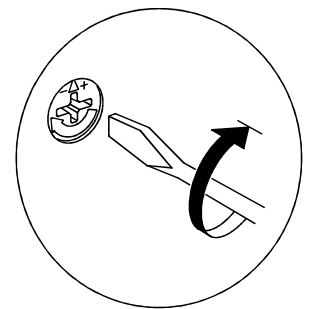
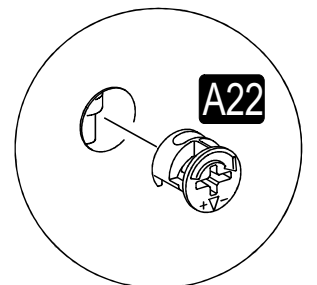
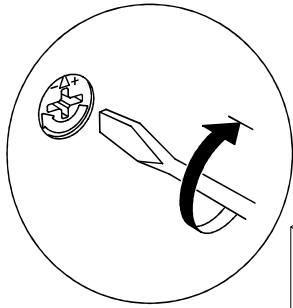
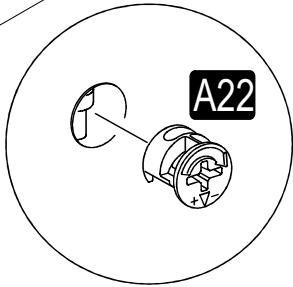
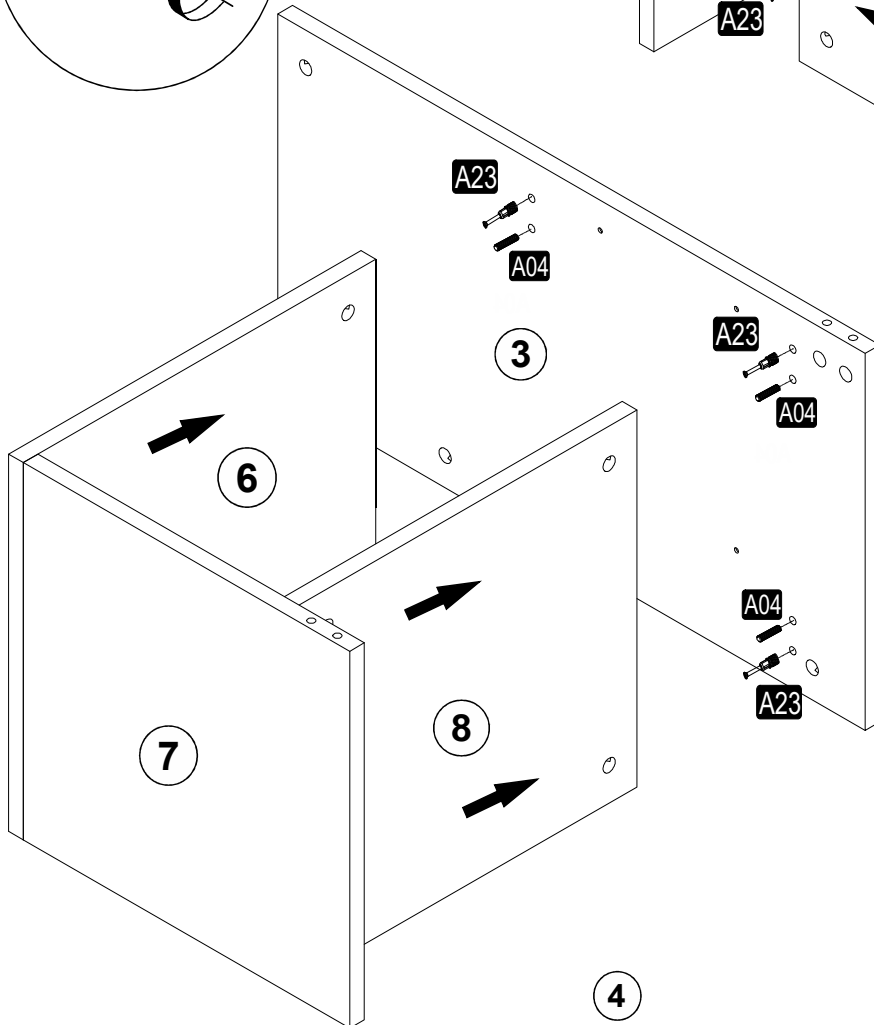
1



2

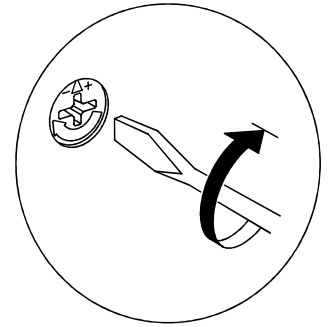
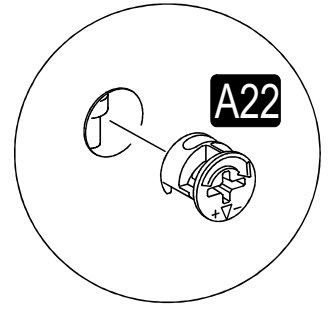
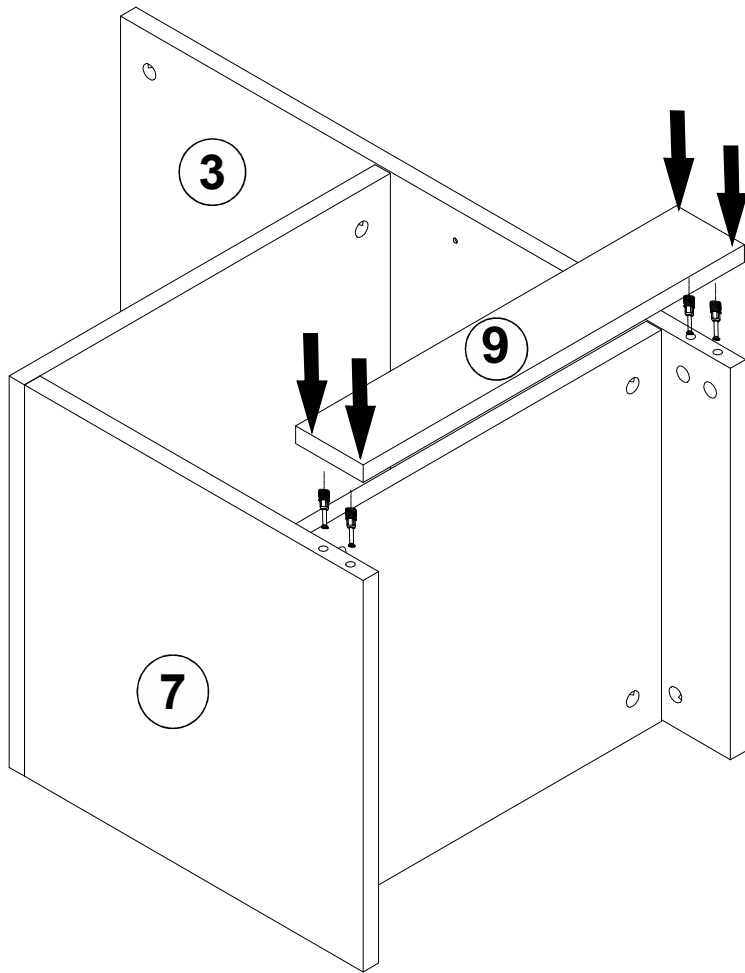


3

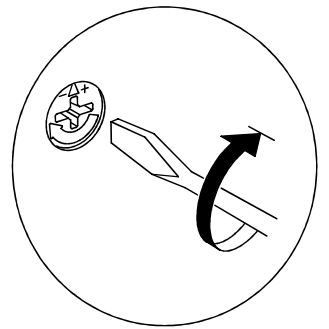
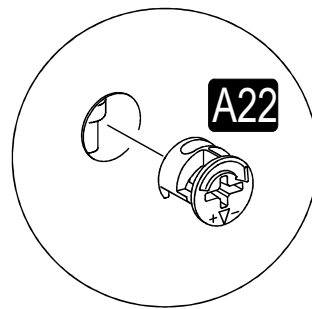
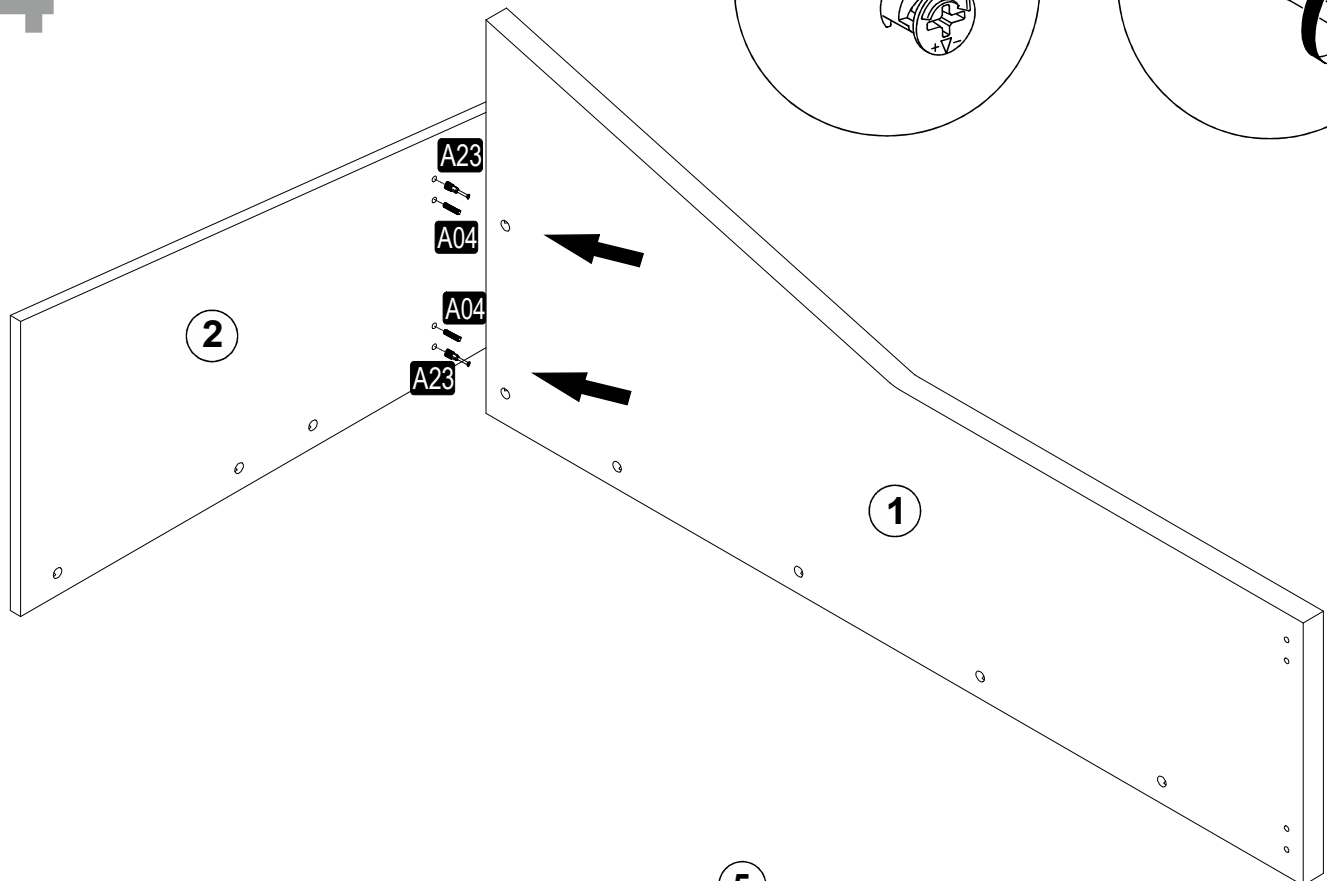


4

# 3

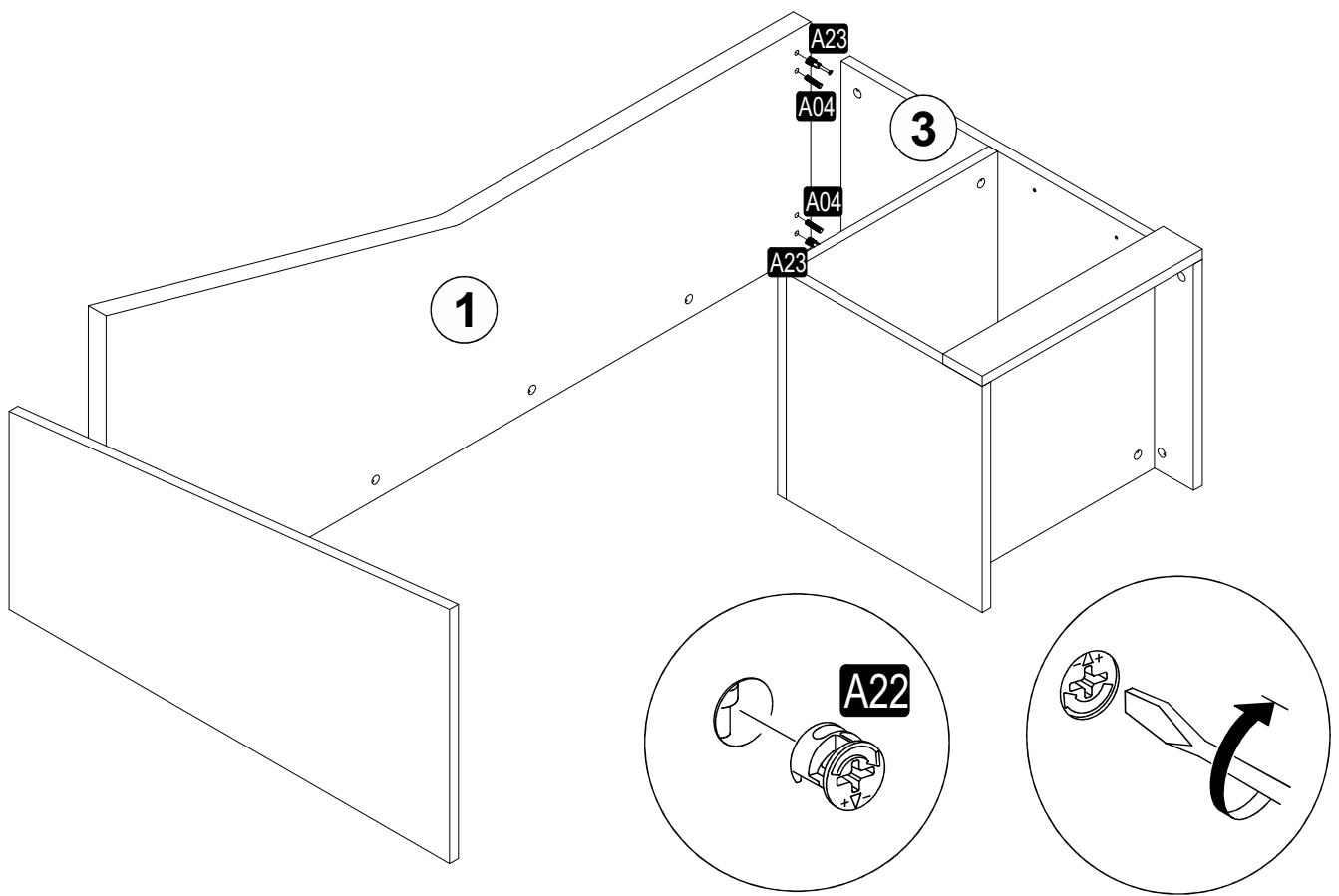


# 4

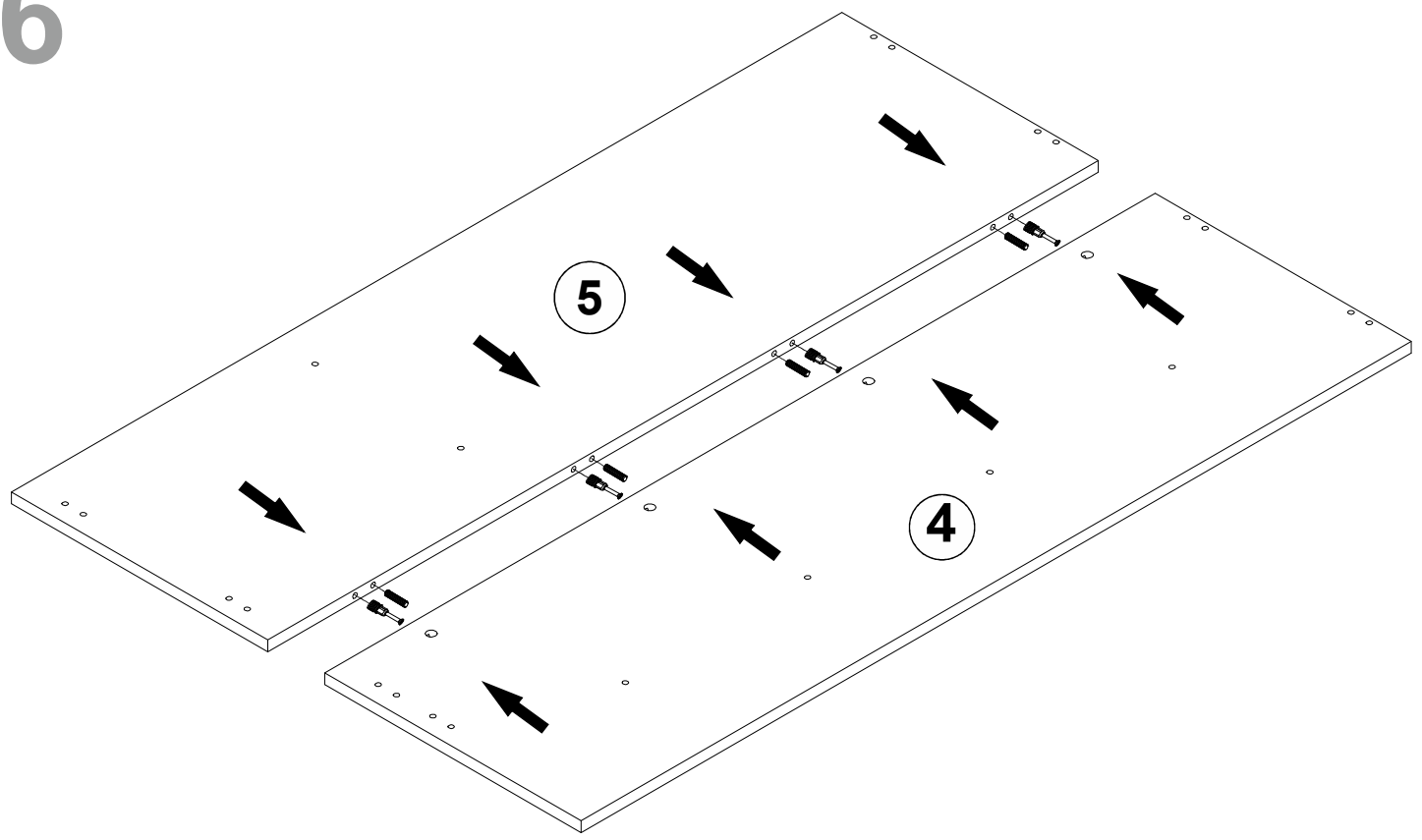


5

5

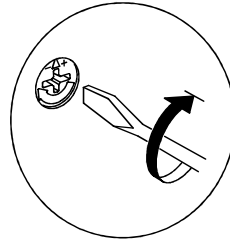
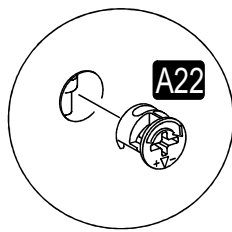
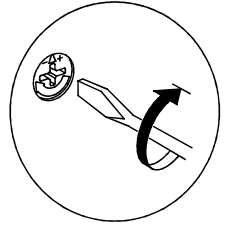
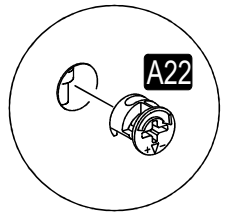
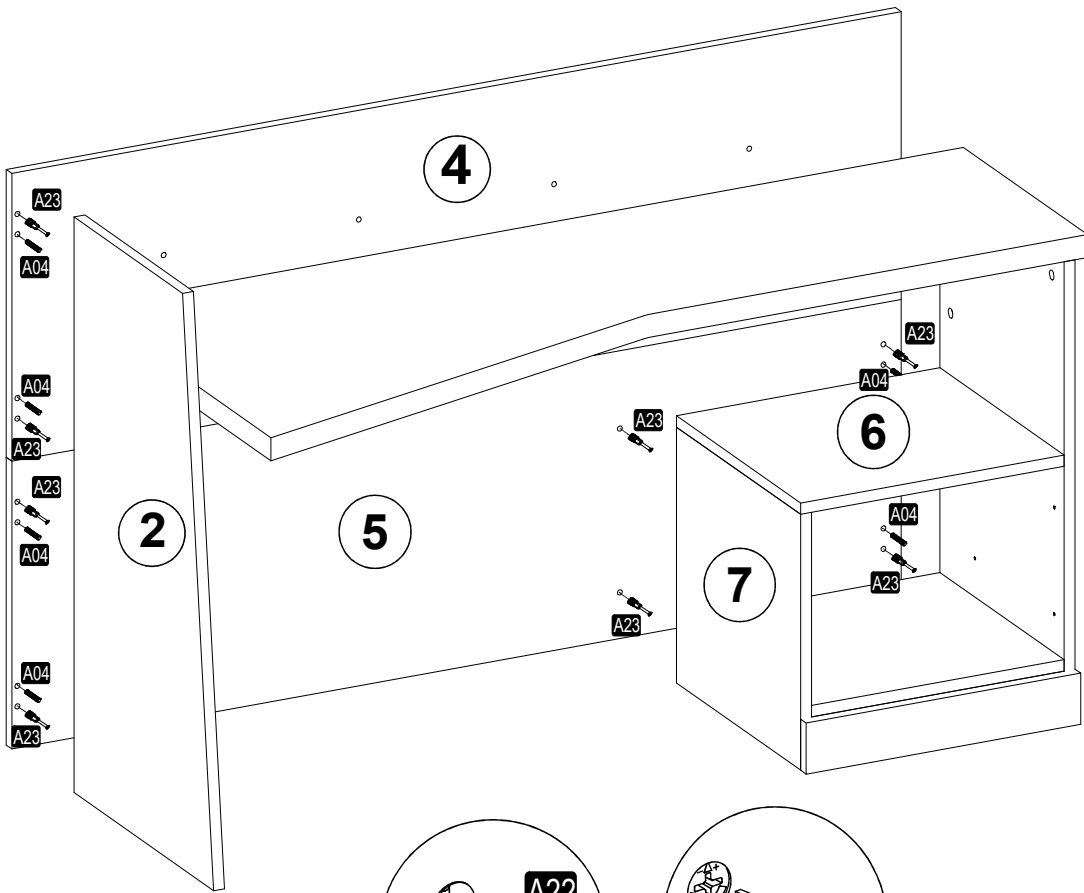


6



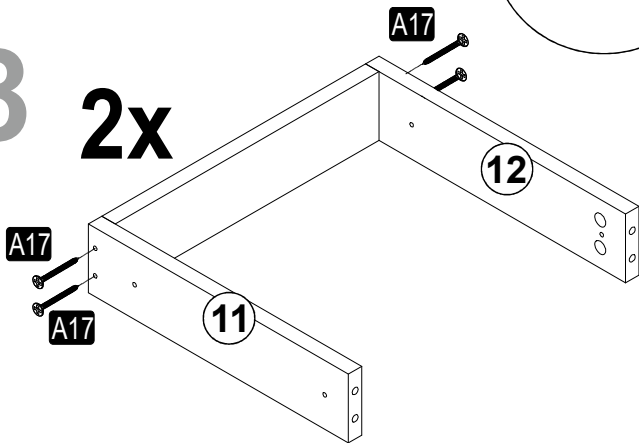
6

# 7

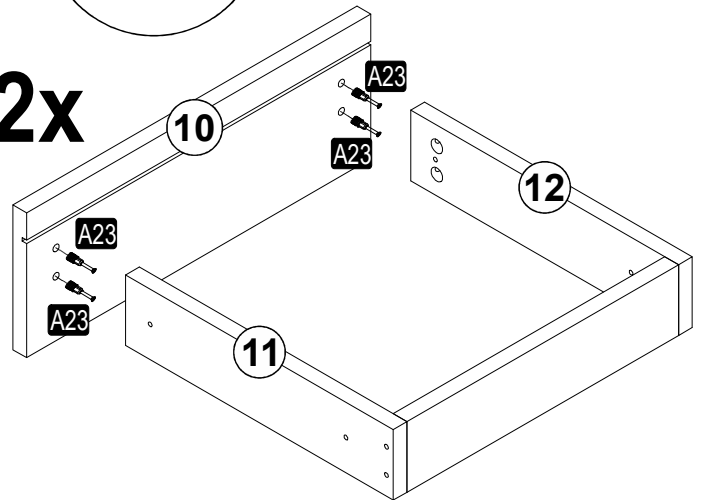


# 8

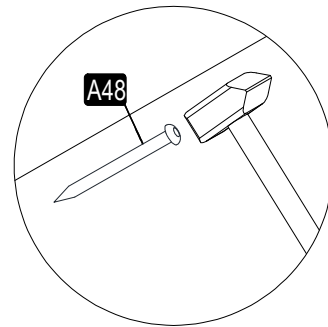
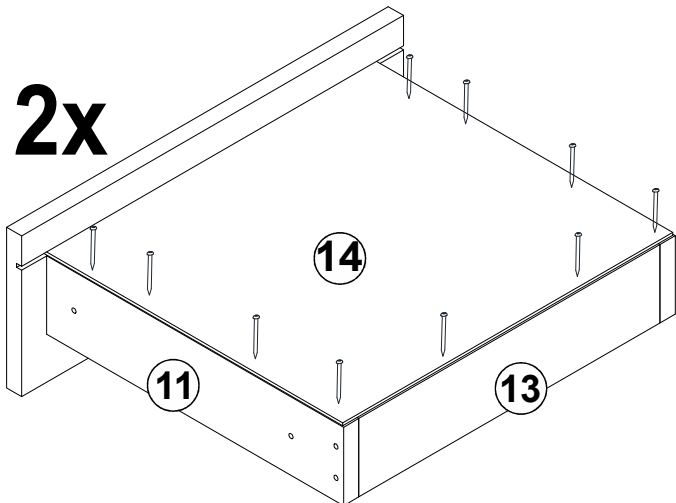
## 2x



## 2x



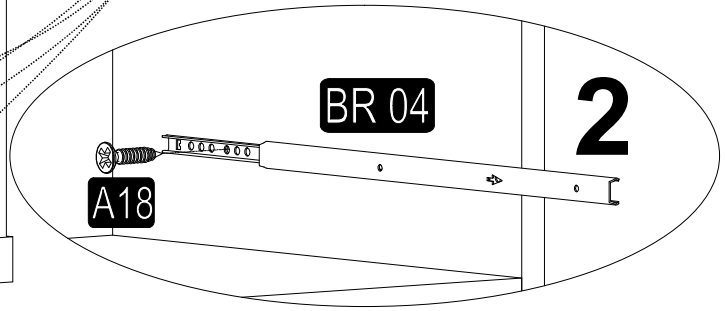
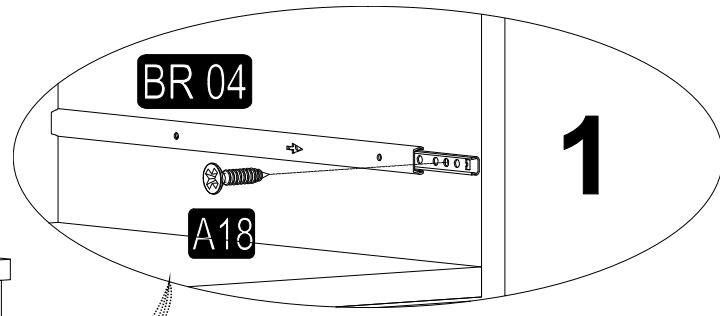
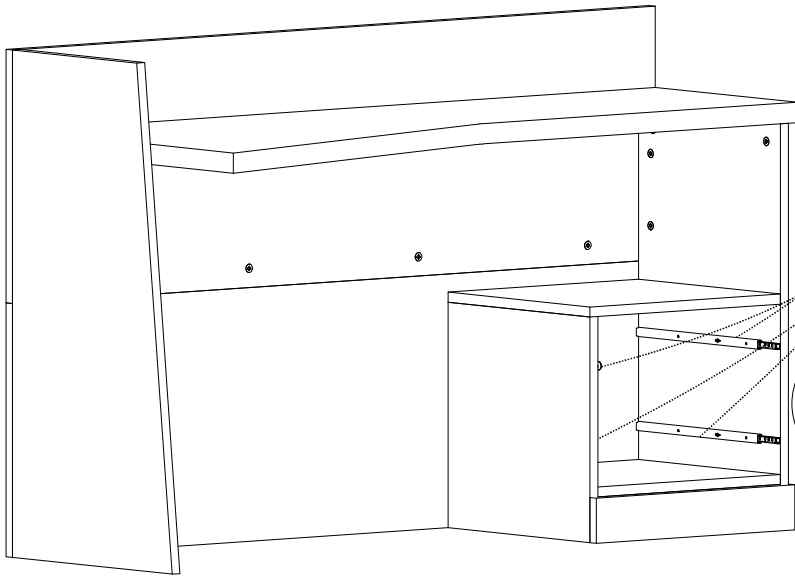
## 2x



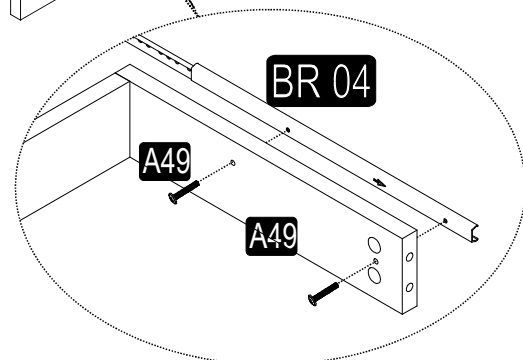
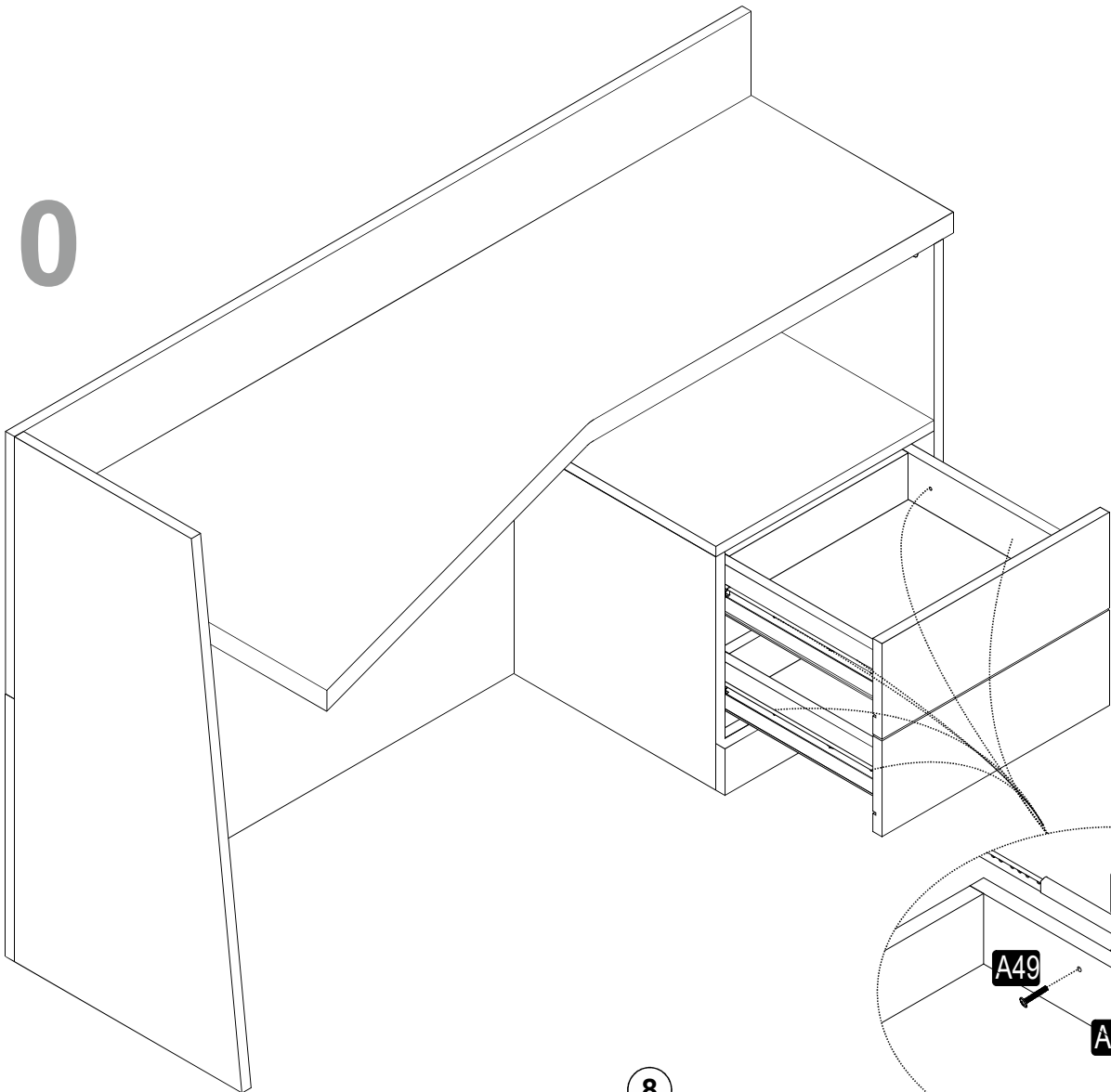
7



9



10



8