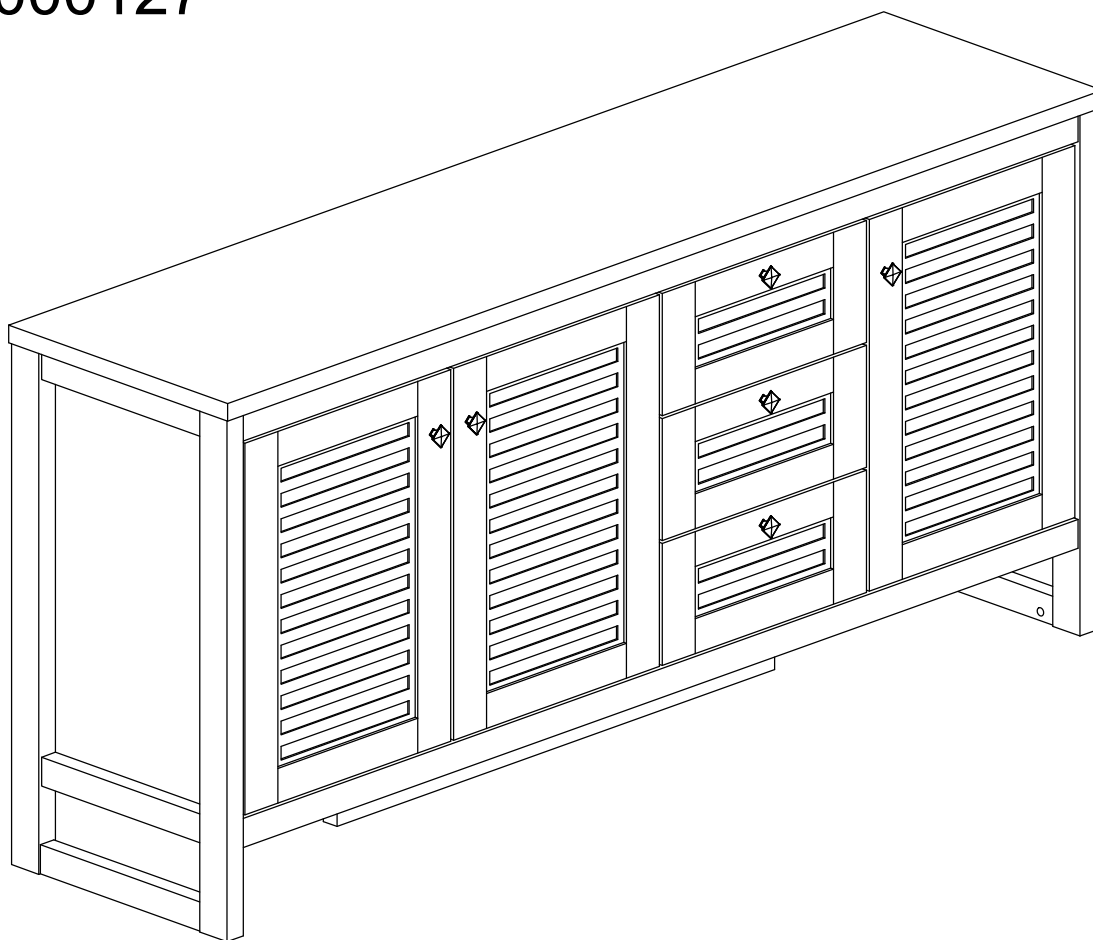
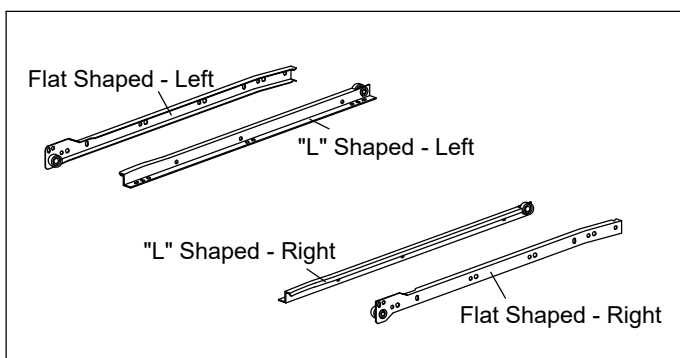


# Assembly Instruction

049-000127



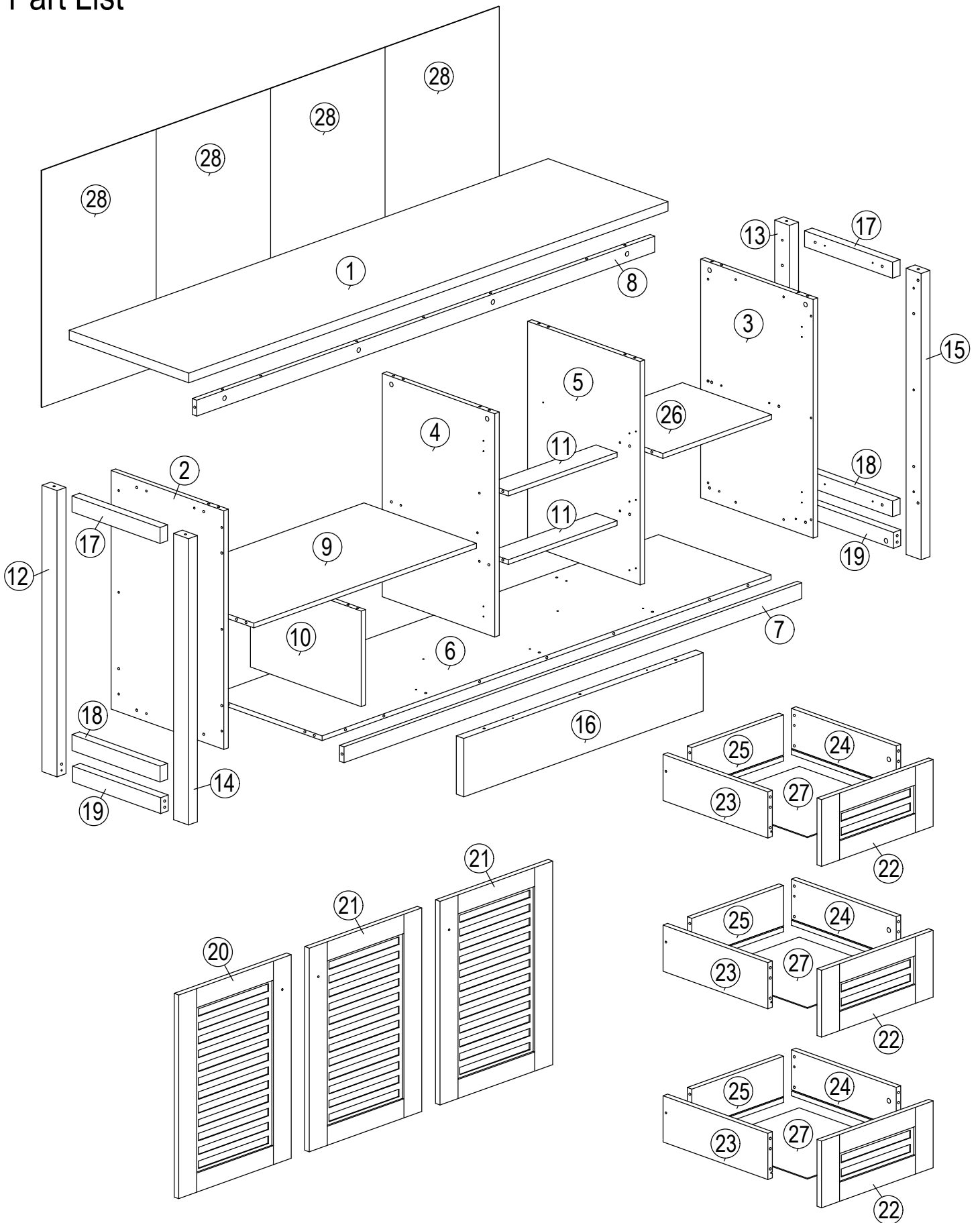
N		Drawer Slide 350mm	3sets
O		Hinges 2/8	6pcs



Hardware List			
No.	Shape	Description	Qty.
A		M8x20mm Wood Dowel	16pcs
B		M8x25mm Wood Dowel	73pcs
C		M8x40mm Wood Dowel	4pcs
D		15mm Minifix Myfix	36pcs
E		M3.5x12mm Screws	18pcs
F		M3.5x16mm Screws	56pcs
G		M4x38mm Screws	20pcs
H		M4x45mm Screws	22pcs
I		L-Bracket 2Holes 1.0mm (RB)	1pc
J		5/8 Nail With Pin	7pcs
K		6/8 Power Pin	54pcs
L		Handle 602	6pcs
M		M4x20mm Handle Screw	6pcs

# Assembly Instruction

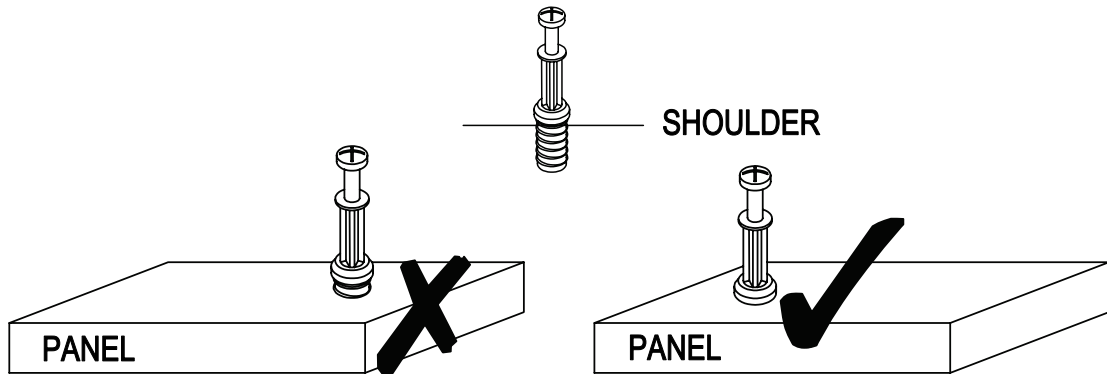
## Part List



# Using Cam Lock And Quickfit

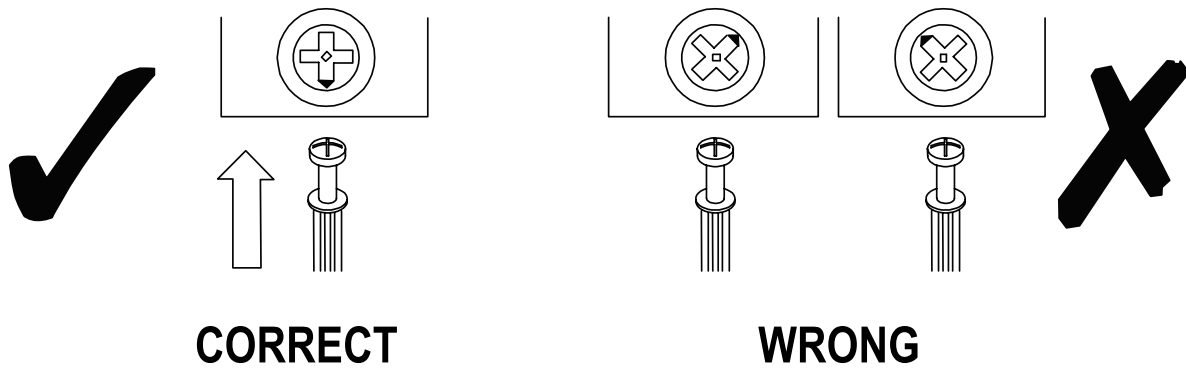
## QUICKFIT

Tighten quickfit until shoulder is flush with panel. Do not overtighten or undertighten.



## CAM LOCK

When fitting cam lock, ensure starting position is correct before you insert connecting quickfit.



Quickfit head should be in the centre of the cam lock when the two panels are joined.  
Cam lock should be inserted before quickfit.

Turn cam lock clockwise to tighten.



# Assembly Instruction

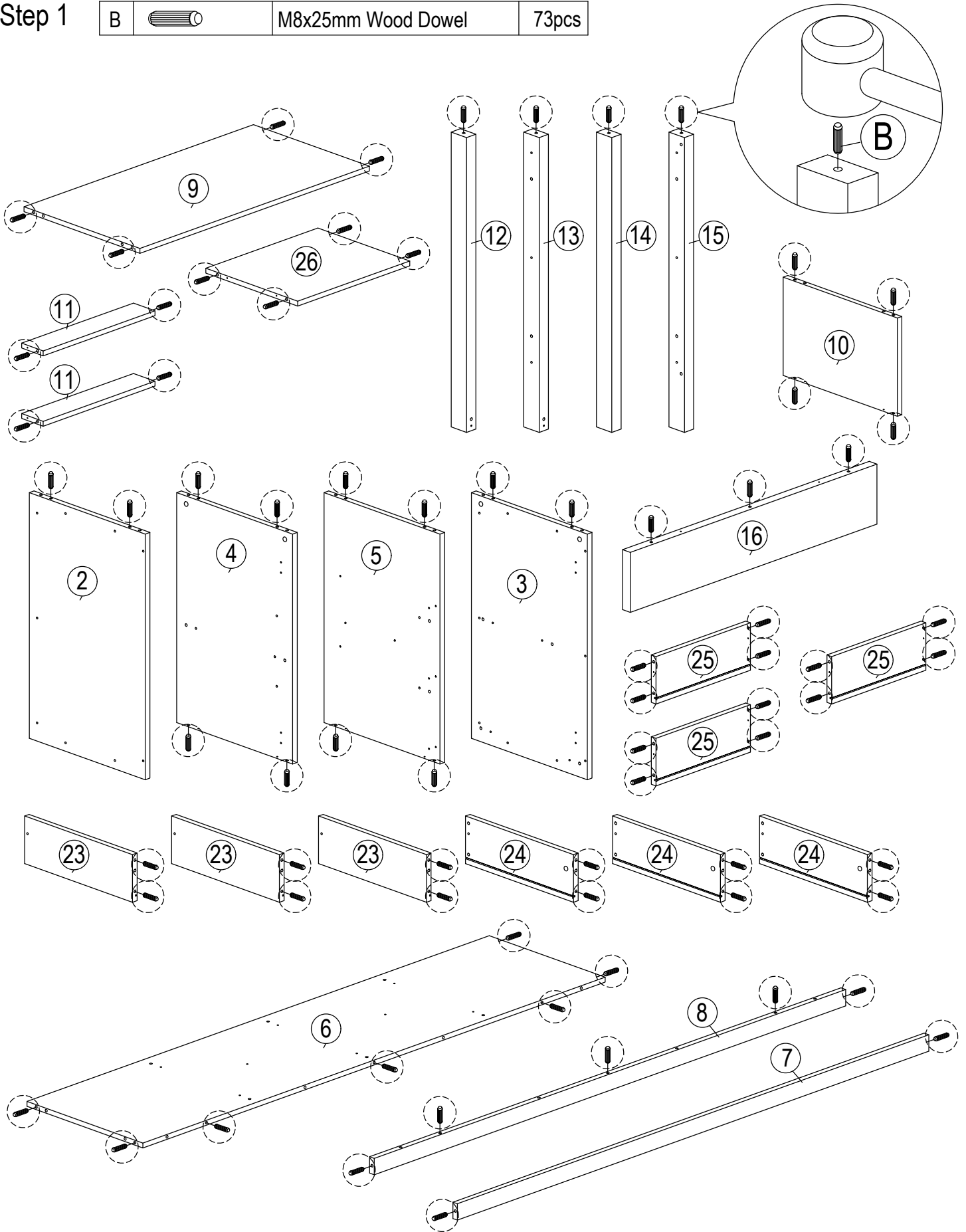
Step 1

B




M8x25mm Wood Dowel

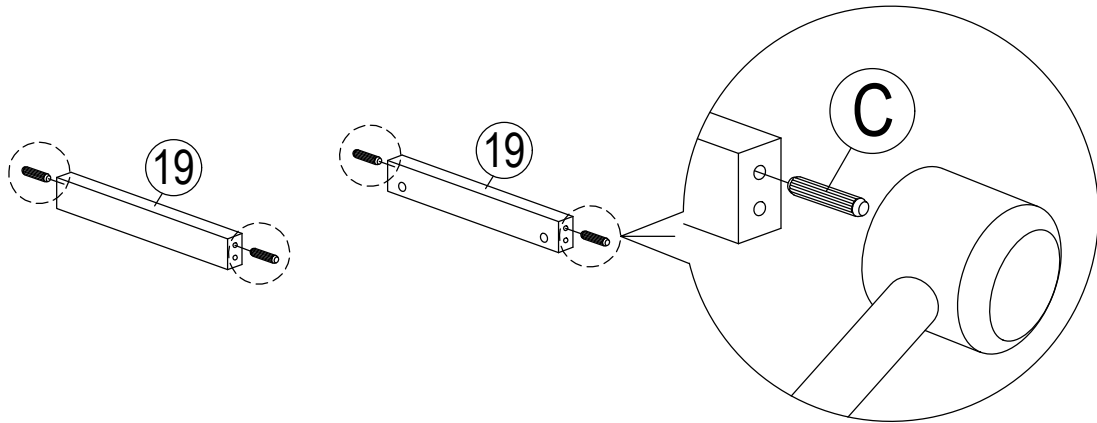
73pcs




# Assembly Instruction

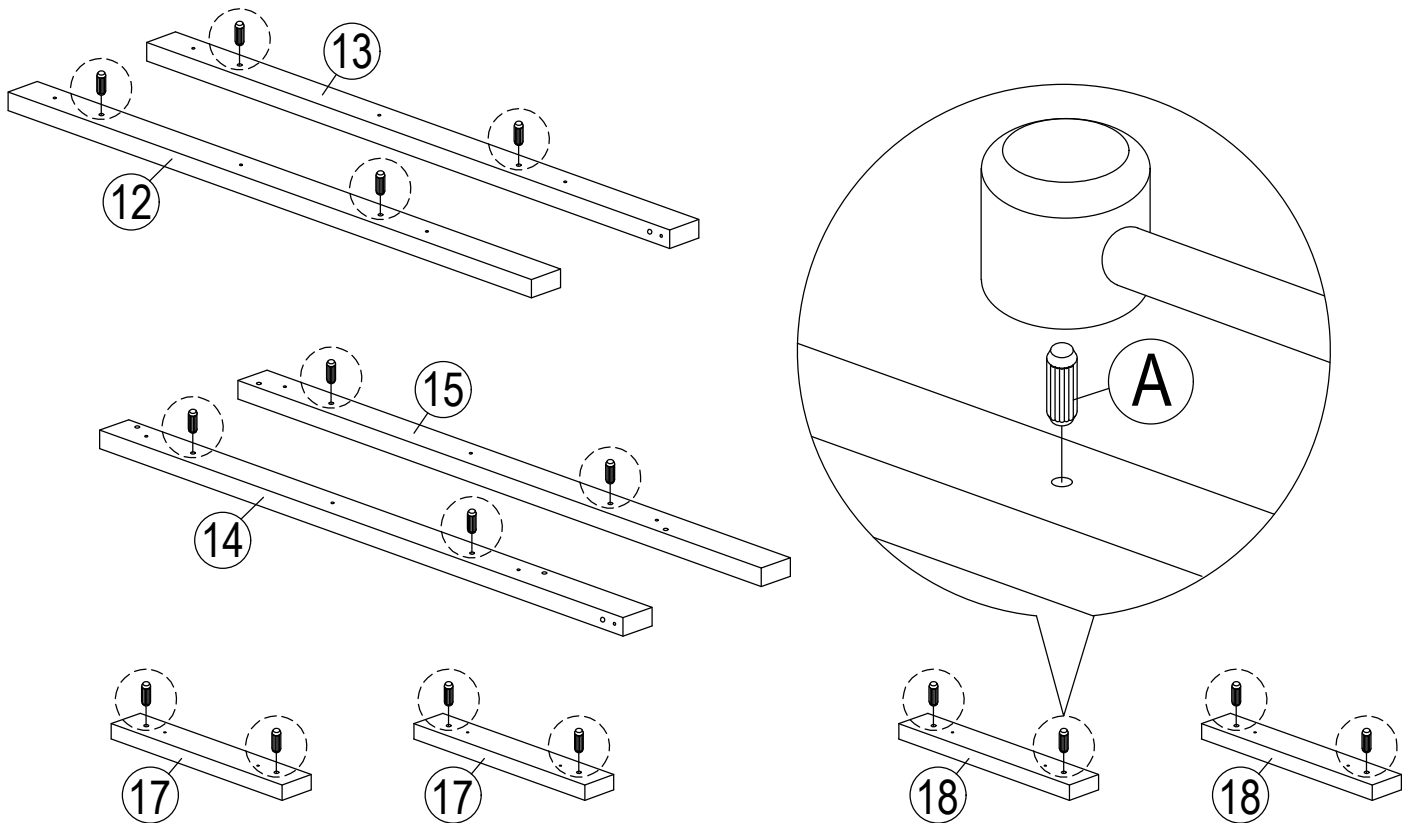
Step 2

C		M8x40mm Wood Dowel	4pcs
---	---	--------------------	------



Step 3

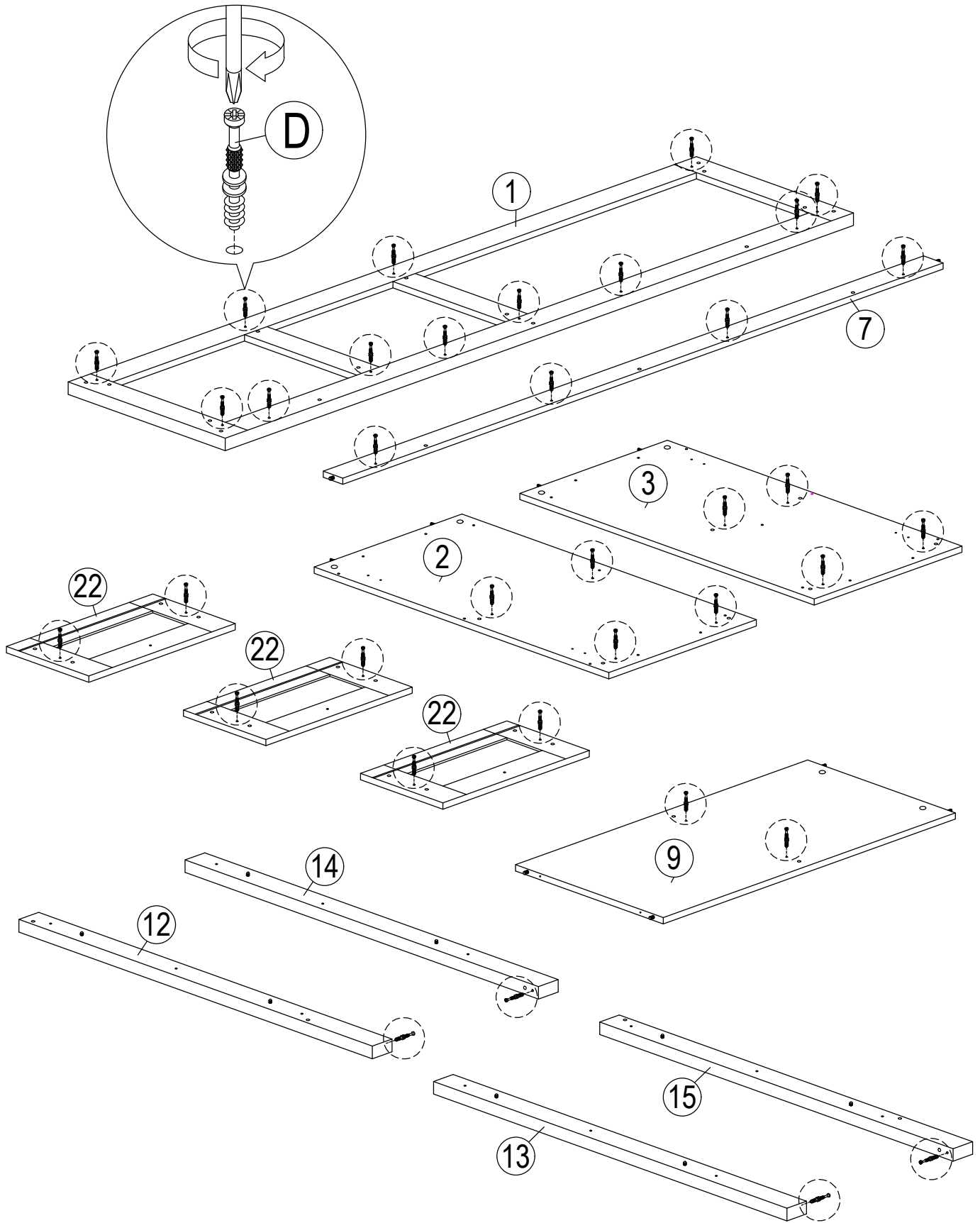
A		M8x20mm Wood Dowel	16pcs
---	---	--------------------	-------



# Assembly Instruction



Step 4

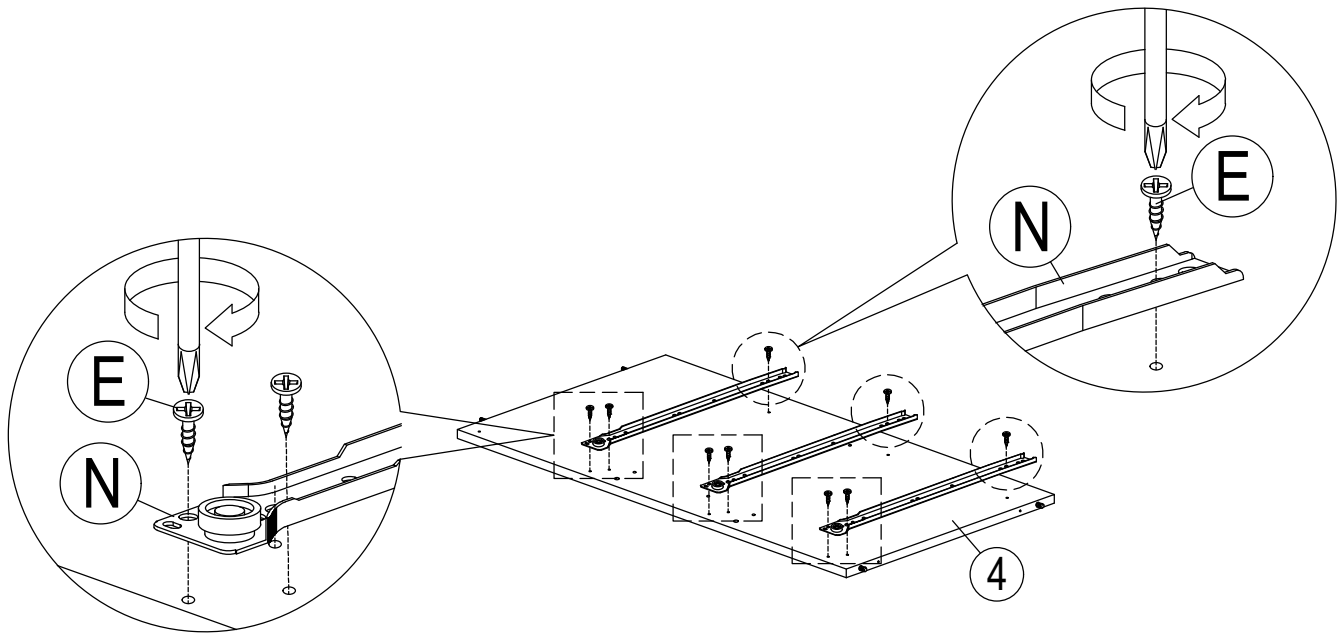
D		Myfix	36pcs
---	---	-------	-------





# Assembly Instruction

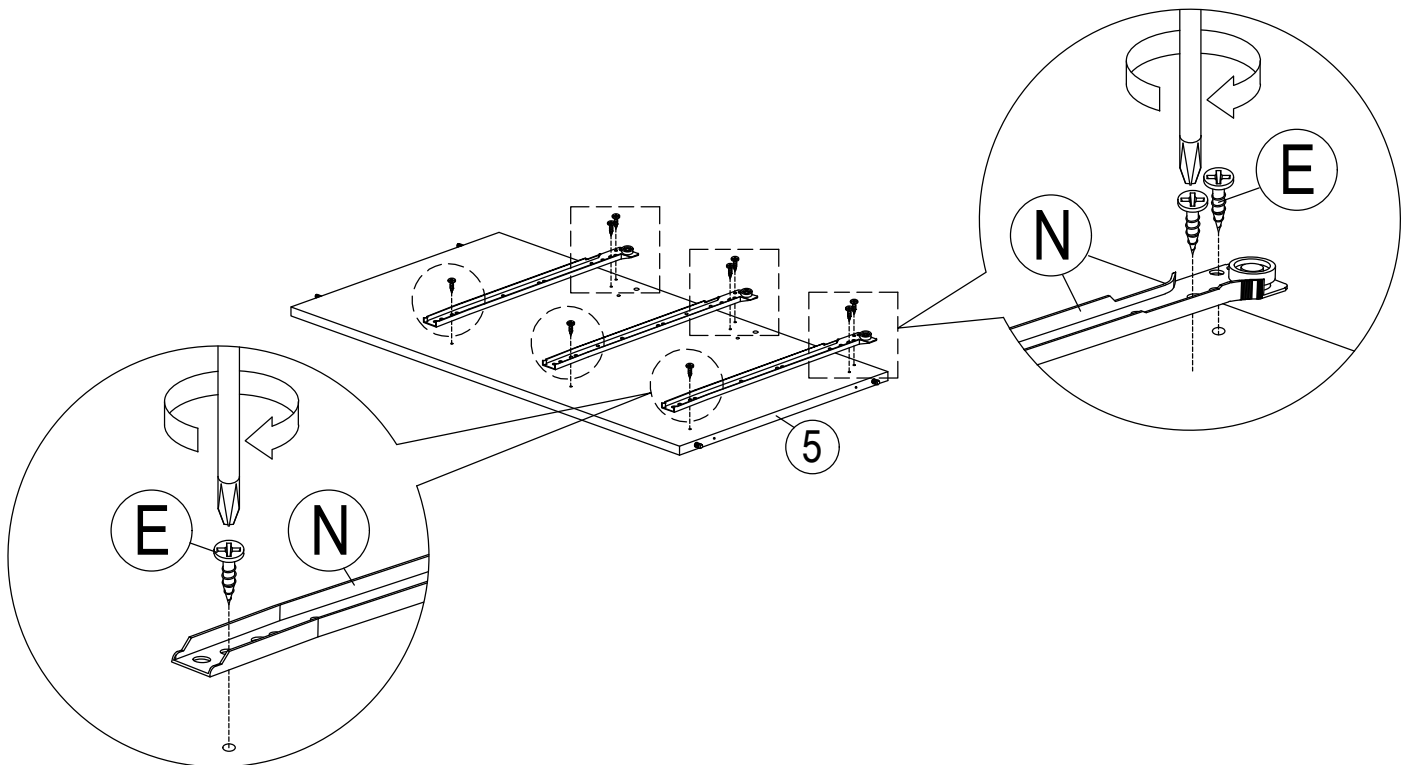
Step 5

E		M3.5x12mm Screw	9pcs
N		Drawer Slide 350mm-L	3pcs



Step 6

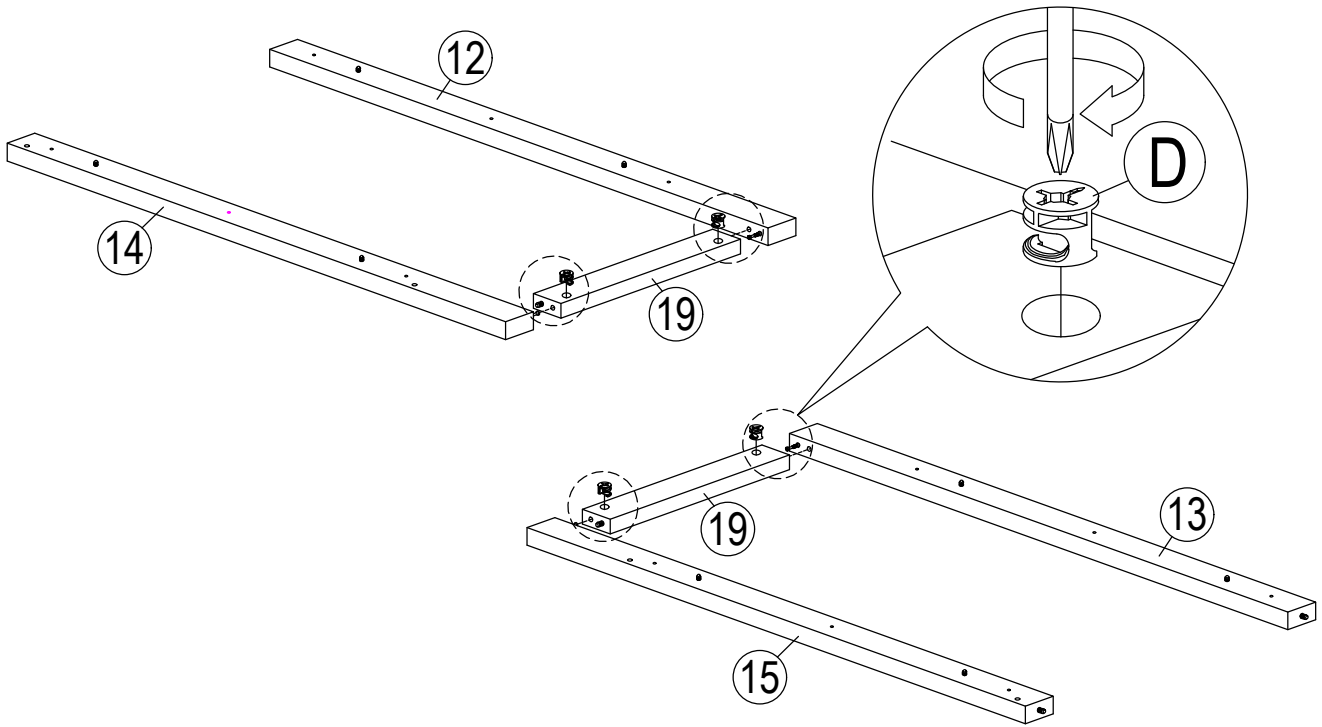
E		M3.5x12mm Screw	9pcs
N		Drawer Slide 350mm-R	3pcs




# Assembly Instruction

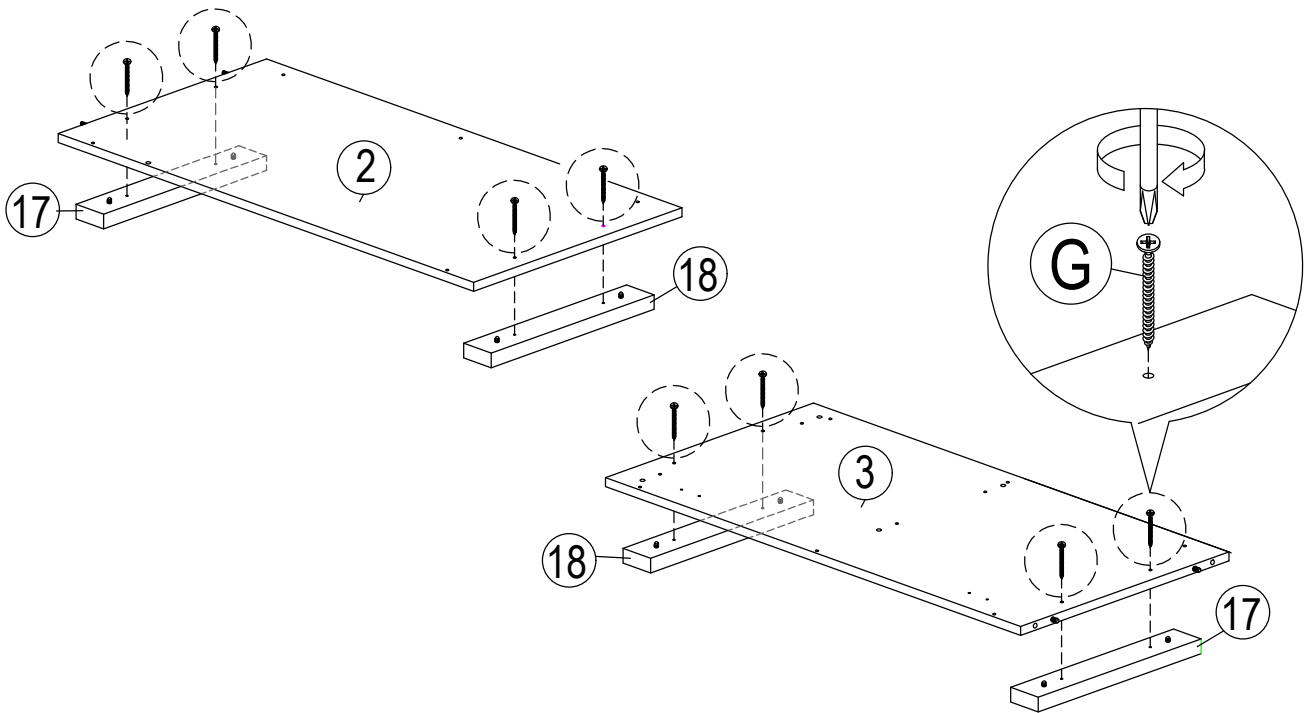
Step 7

D		Minifix	4pcs
---	---	---------	------



Step 8

G		M4x38mm Screw	8pcs
---	---	---------------	------



# Assembly Instruction

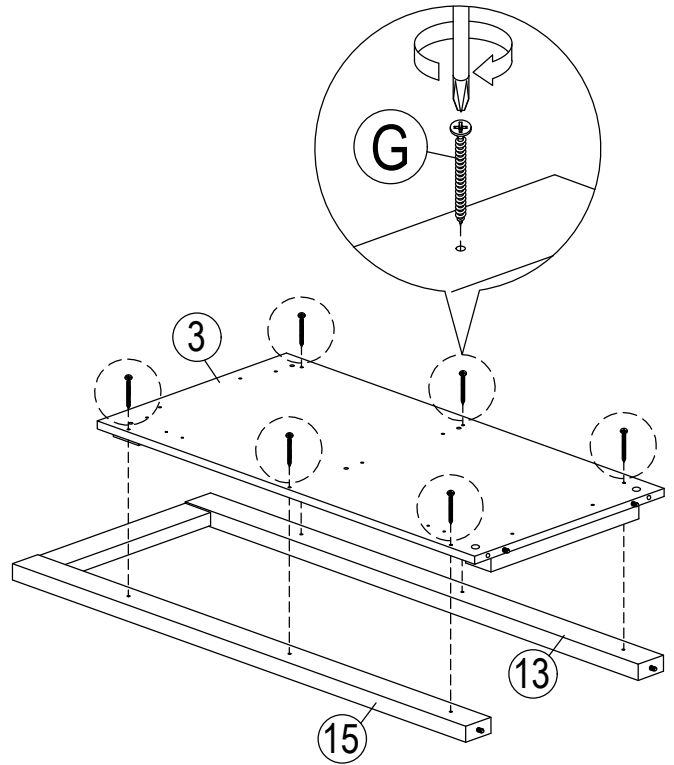
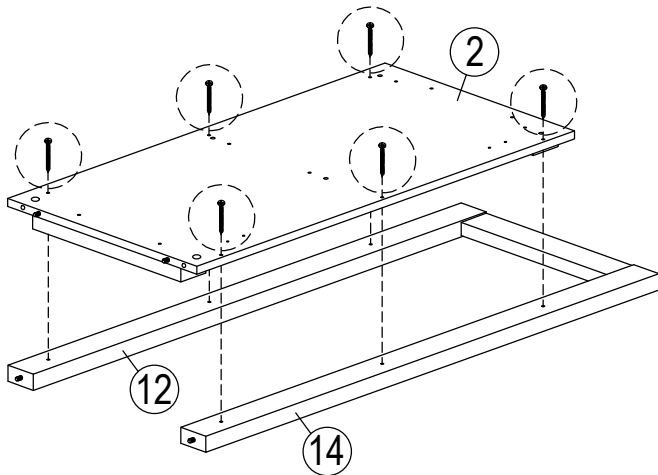
Step 9

G



M4x38mm Screw

12pcs



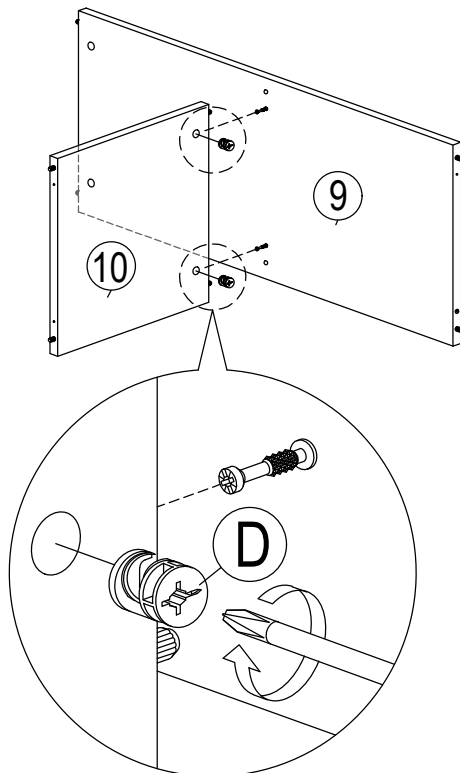
Step 10

D



Minifix

2pcs



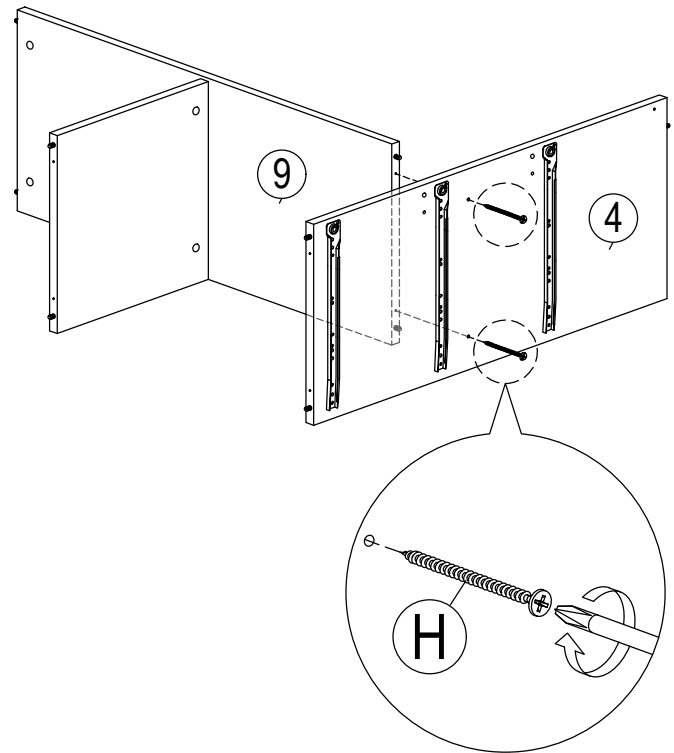
Step 11

H




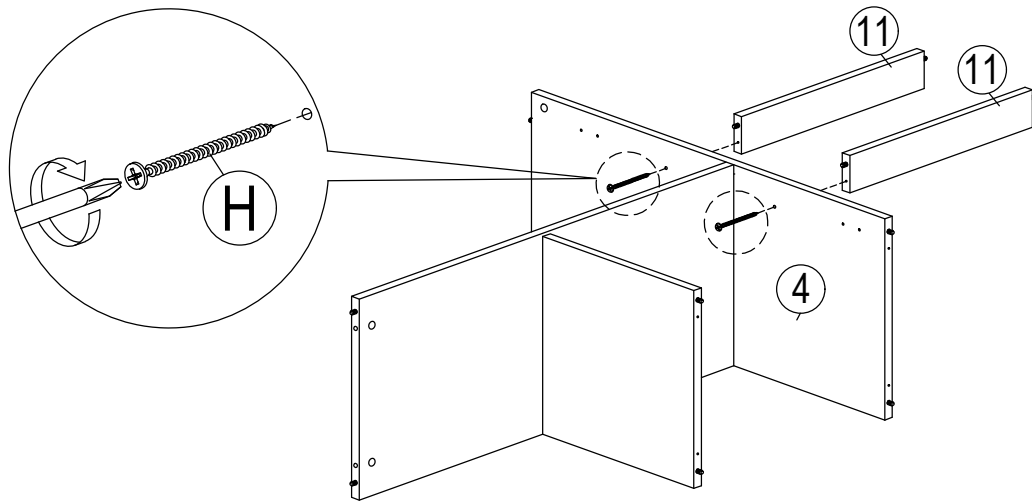
M4x45mm Screw


2pcs

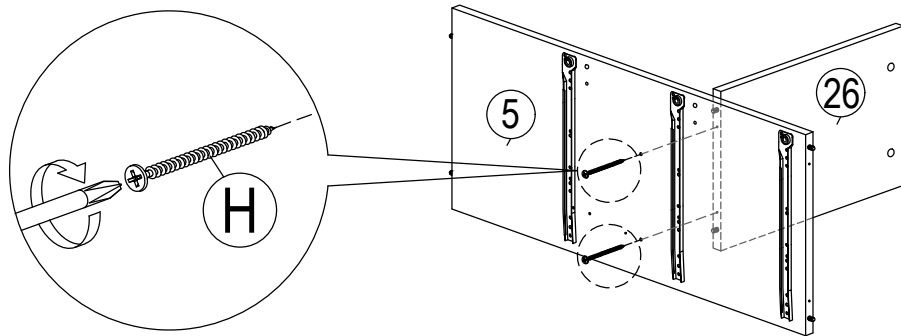



# Assembly Instruction

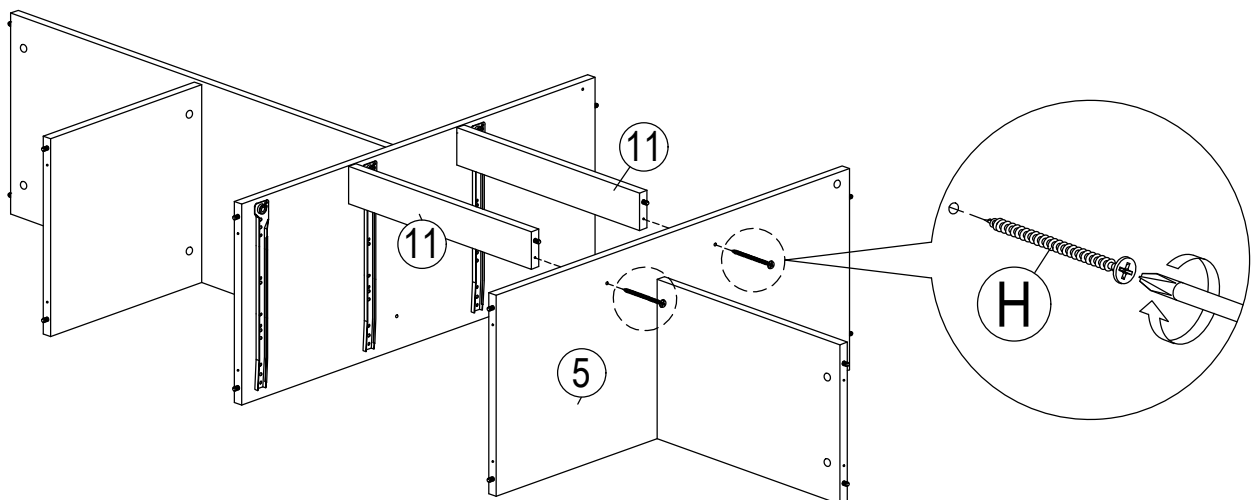
Step 12 H  M4x45mm Screw 2pcs



Step 13 H  M4x45mm Screw 2pcs



Step 14 H  M4x45mm Screw 2pcs



# Assembly Instruction

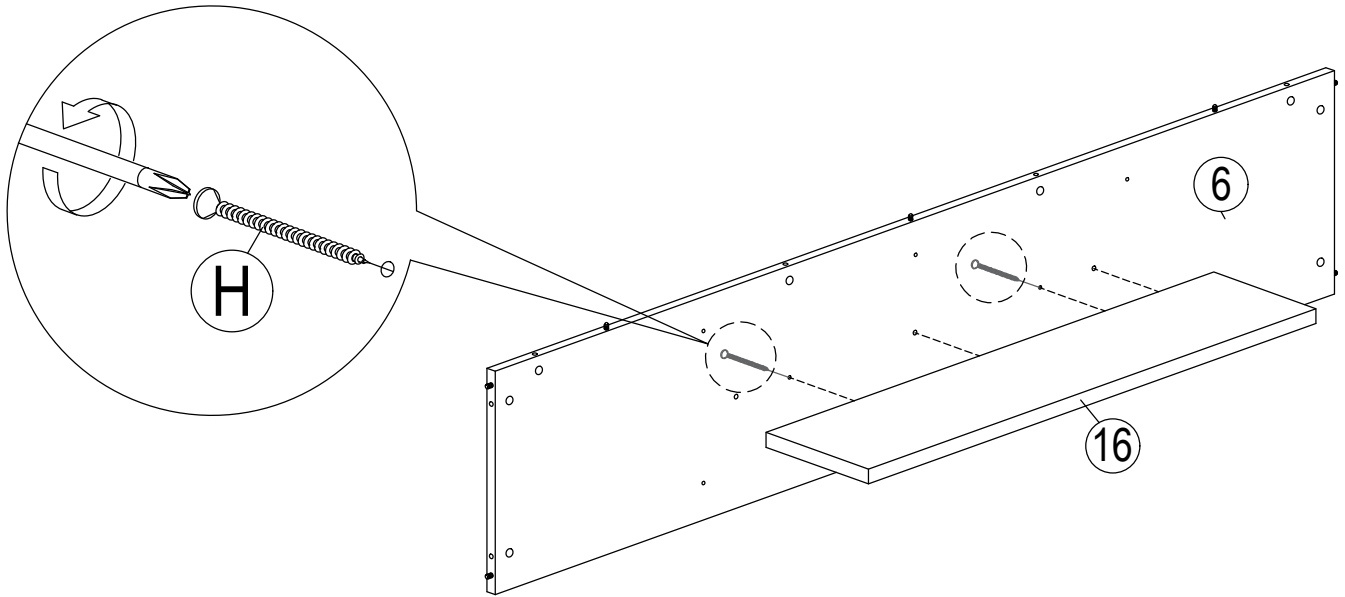
Step 15

H



M4x45mm Screw

2pcs



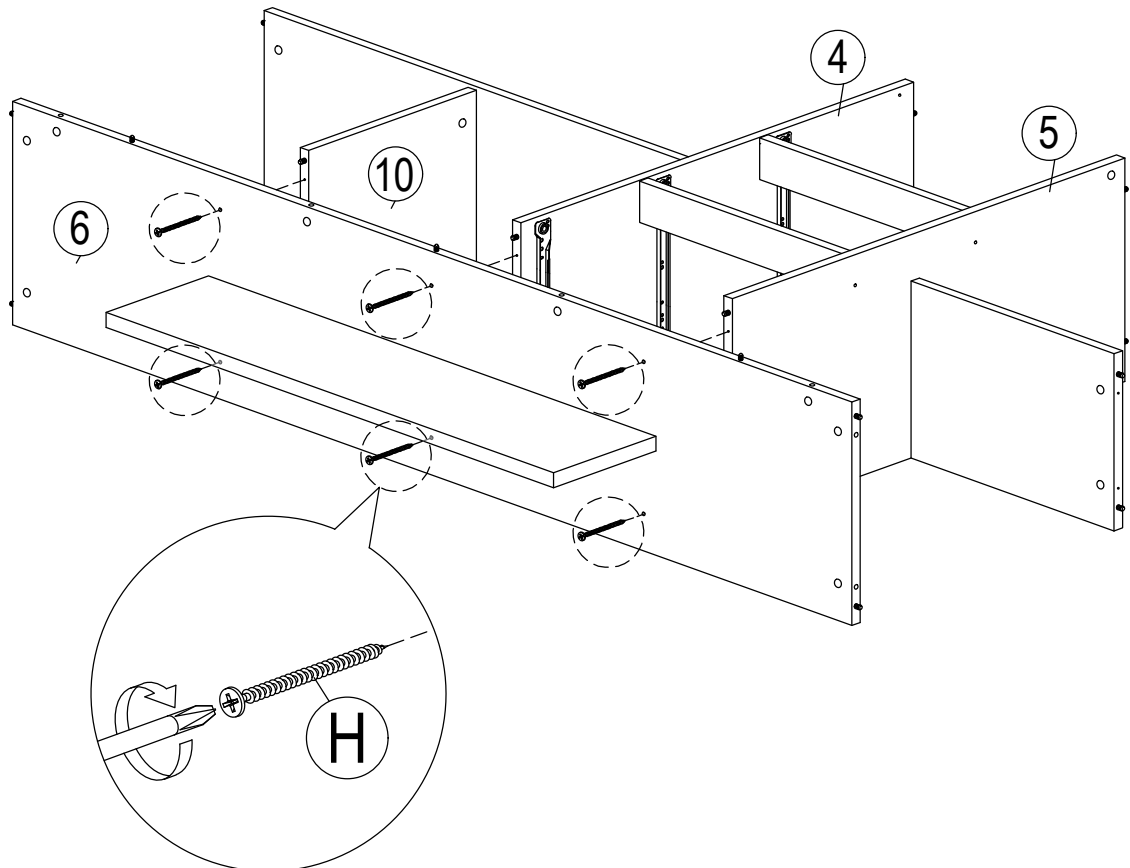
Step 16

H



M4x45mm Screw

6pcs



# Assembly Instruction

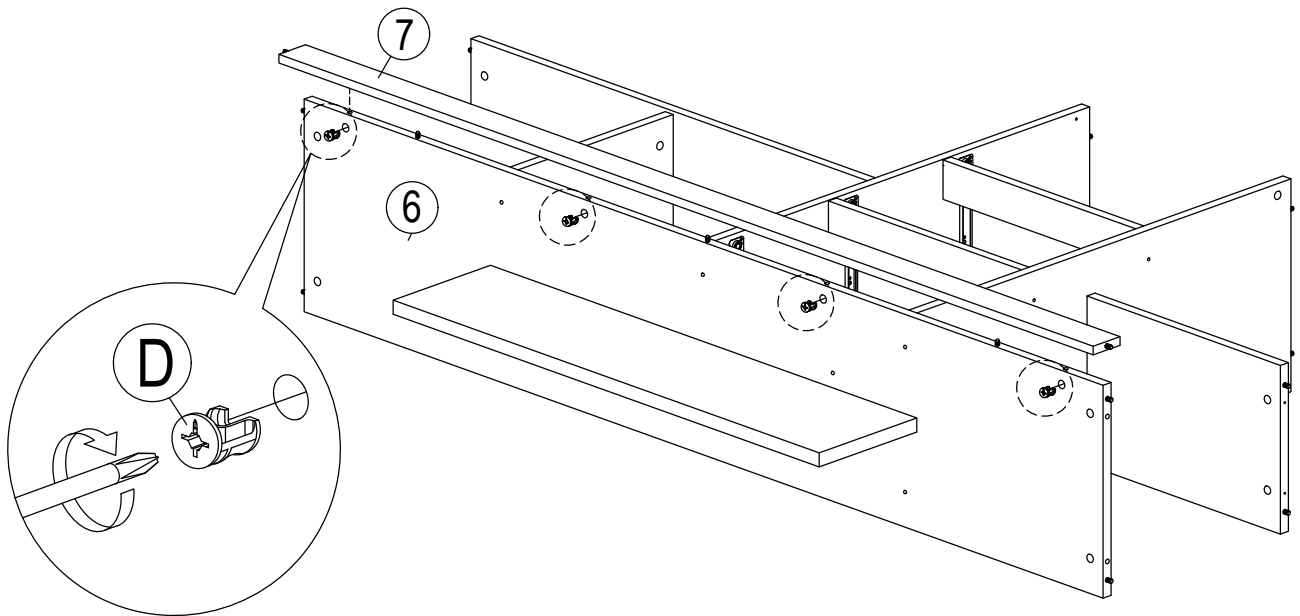
Step 17

H



Minifix

4pcs



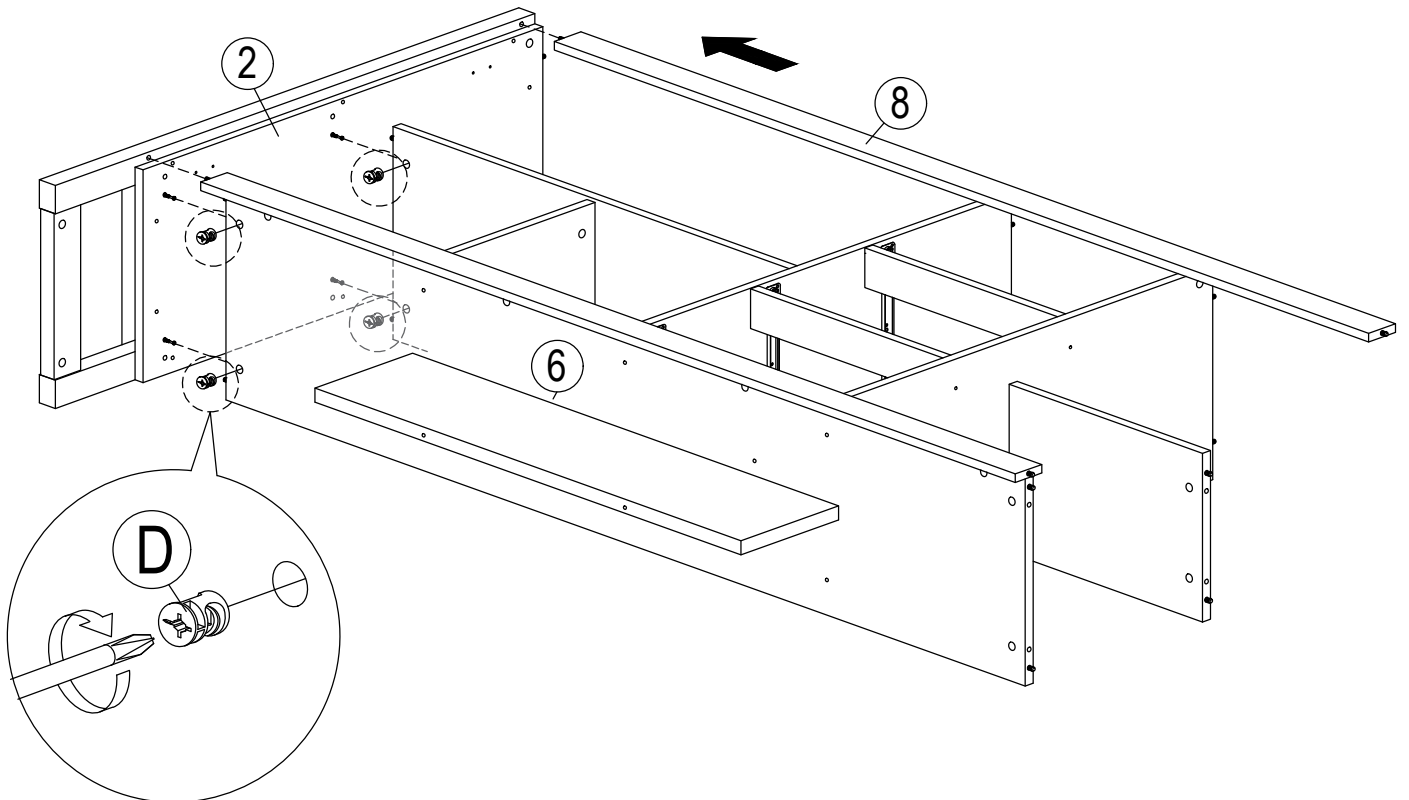
Step 18

H



Minifix

4pcs



# Assembly Instruction

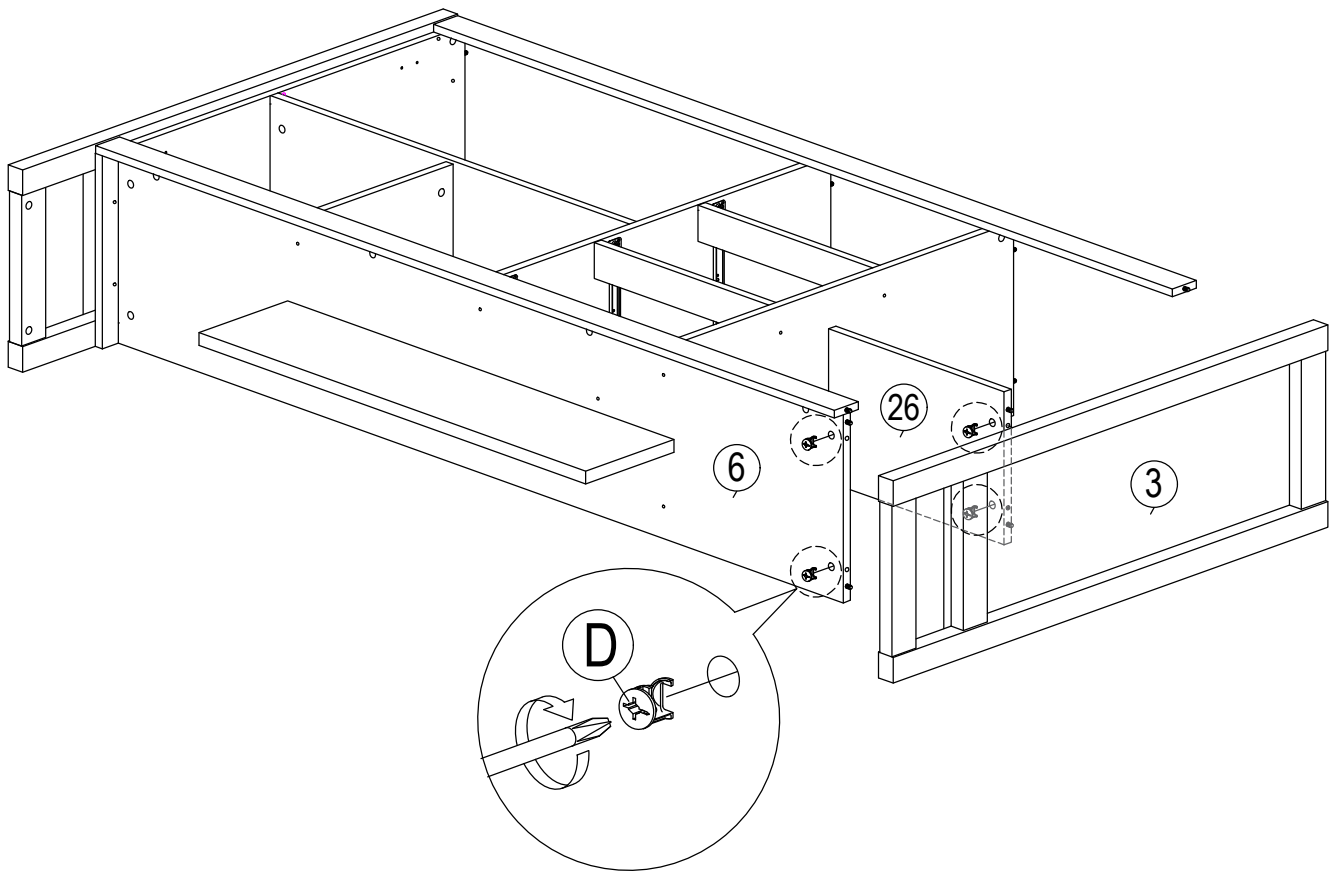
Step 19

D



Minifix

4pcs



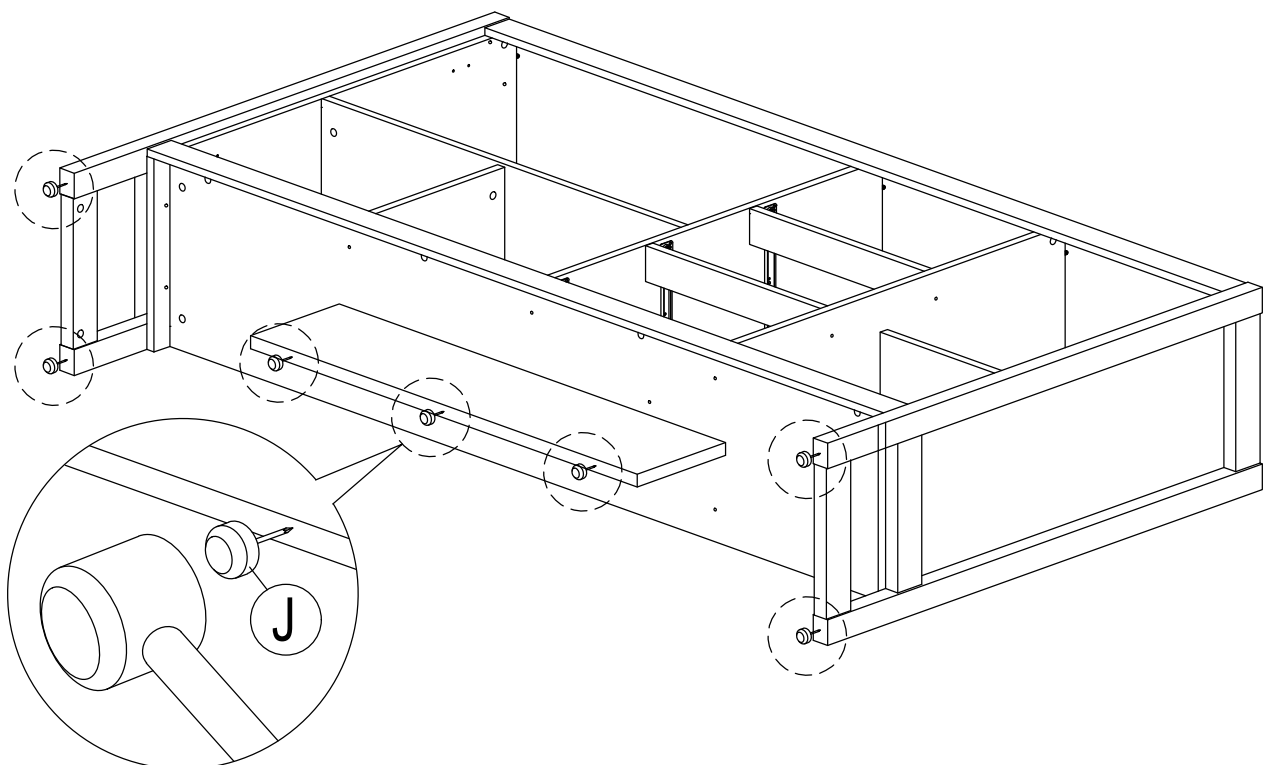
Step 20

J



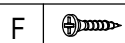
5/8 Nail With Pin

7pcs



# Assembly Instruction

Step 21



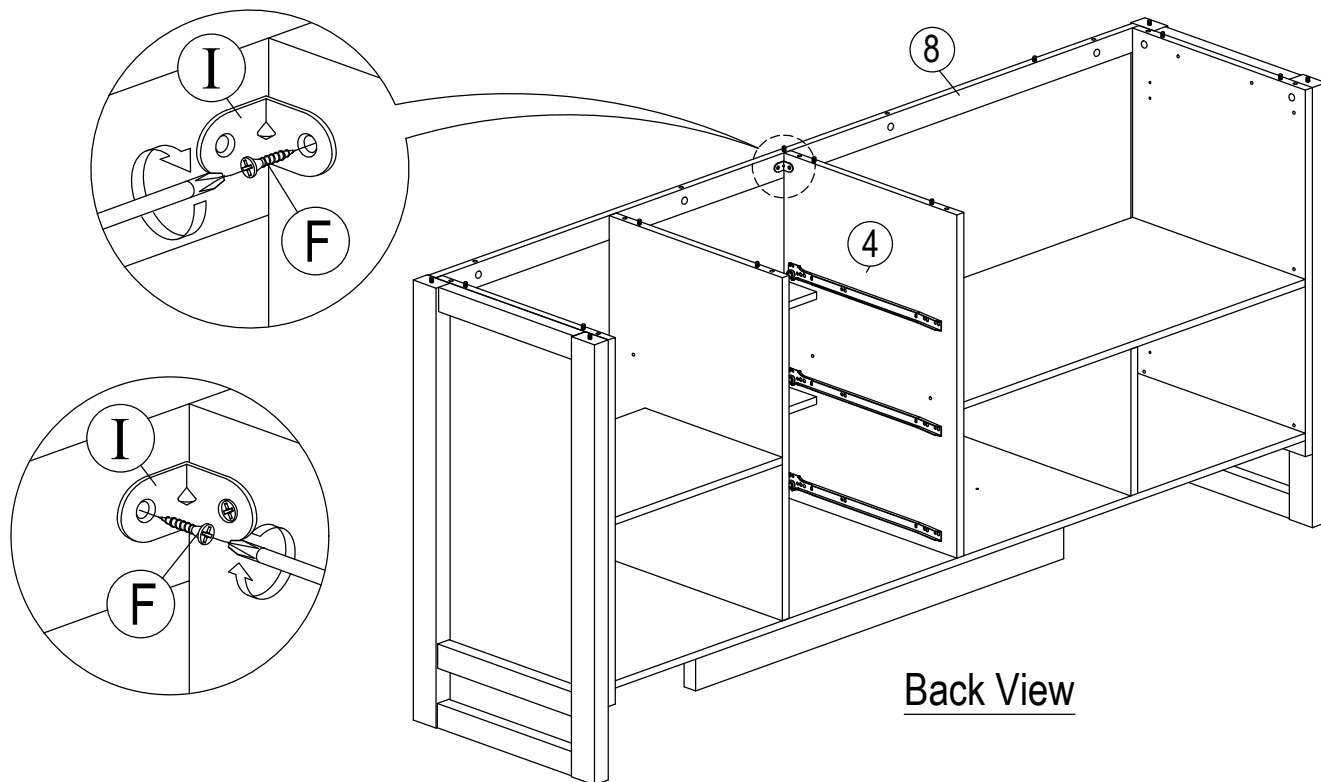
M3.5x16mm Screw

2pcs

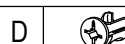


L-Bracket 2Holes 1.0mm (RB)

1pc

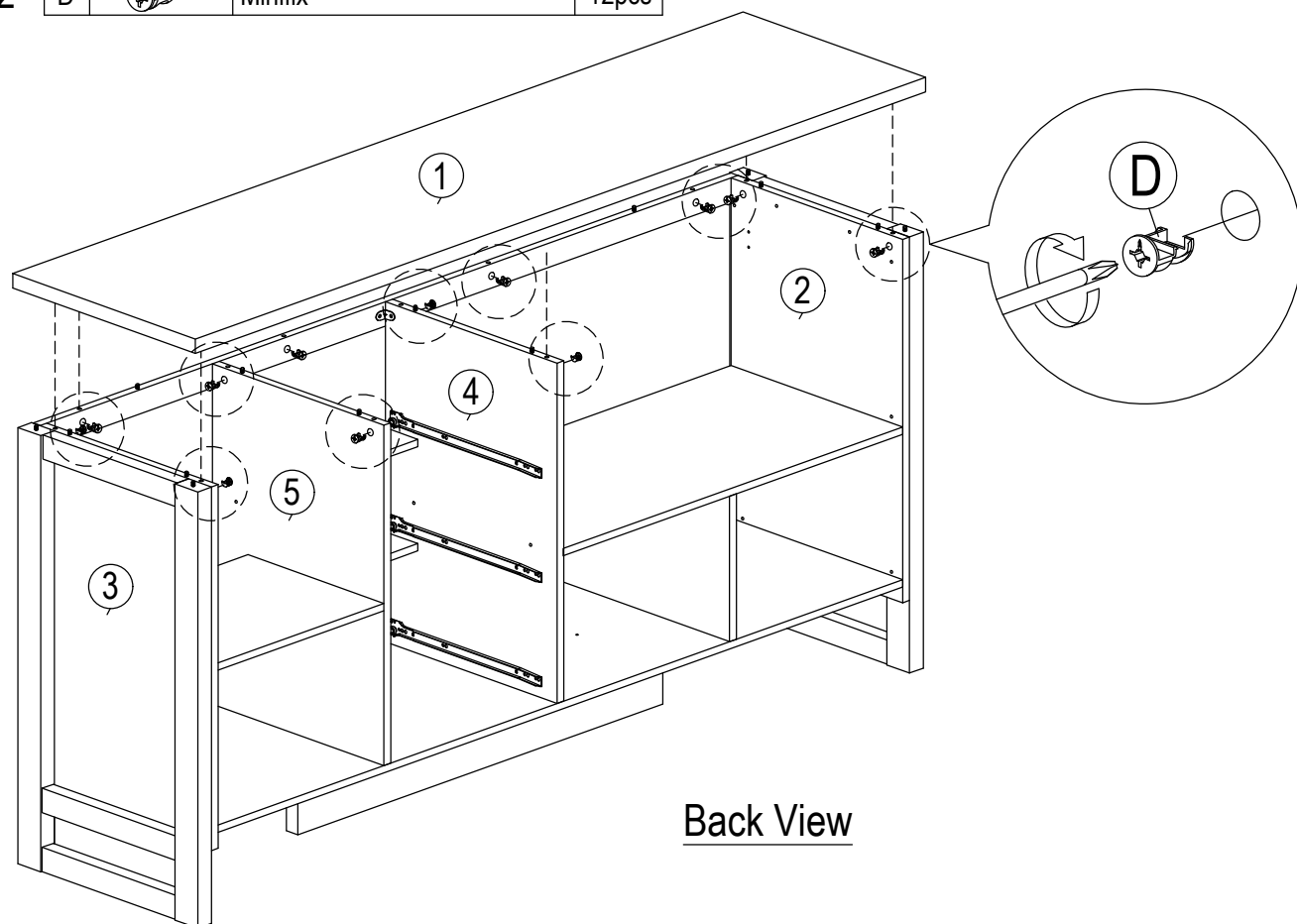


Step 22



Minifix

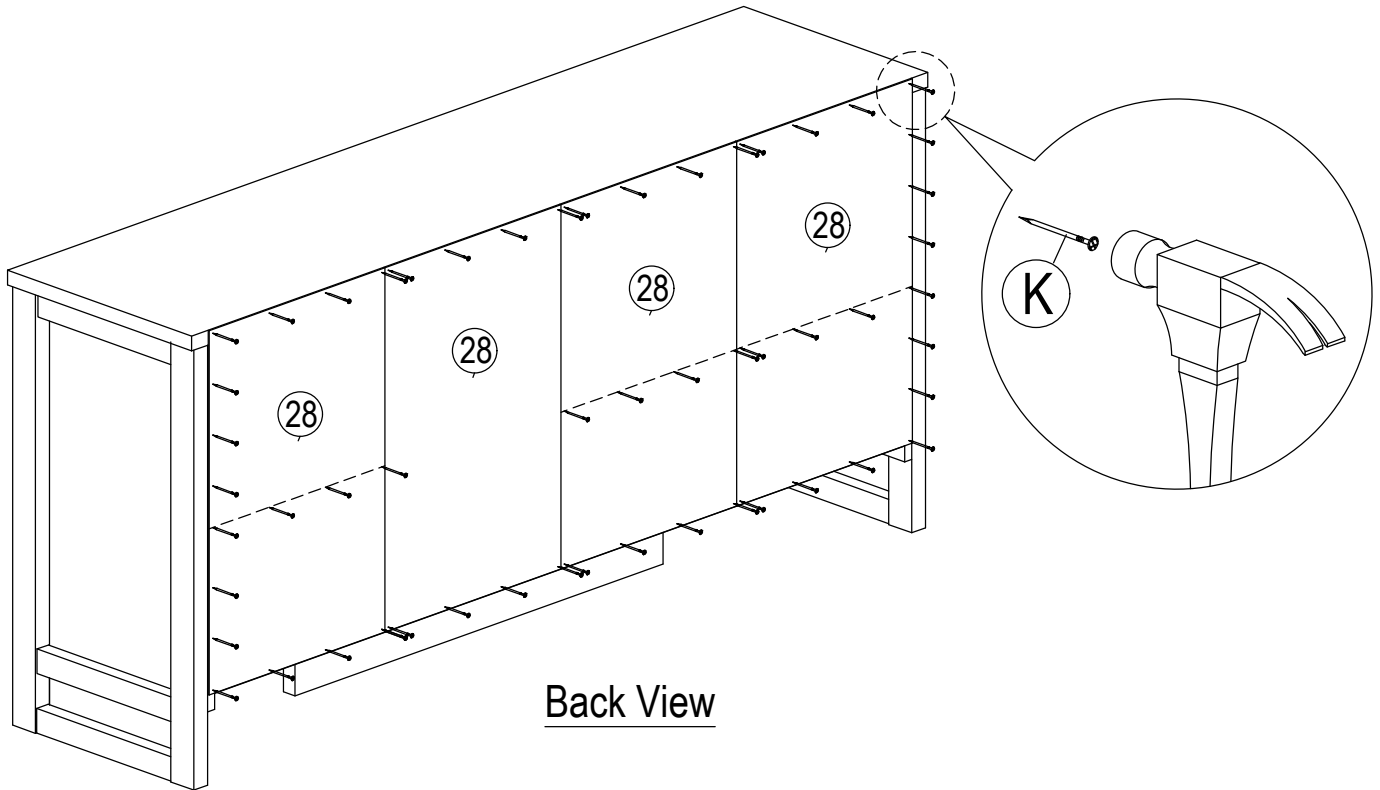
12pcs



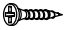
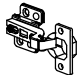
# Assembly Instruction

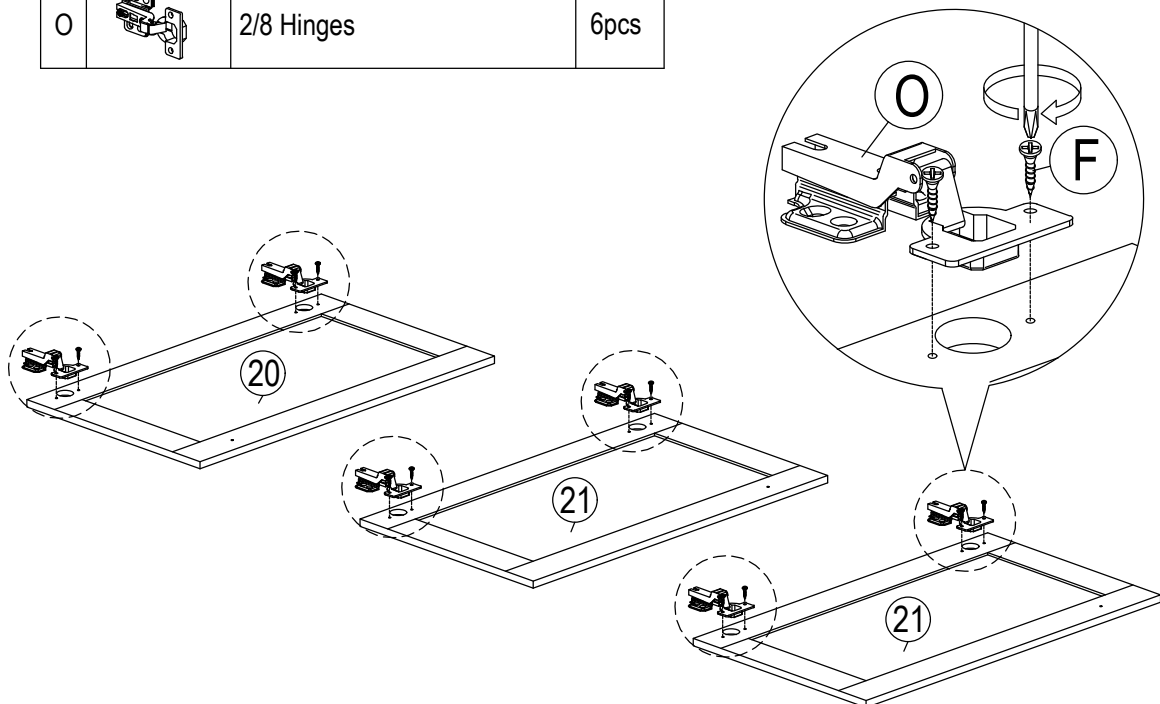
Step 23

K		6/8 Power Pin	54pcs
---	---	---------------	-------



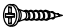


Step 24

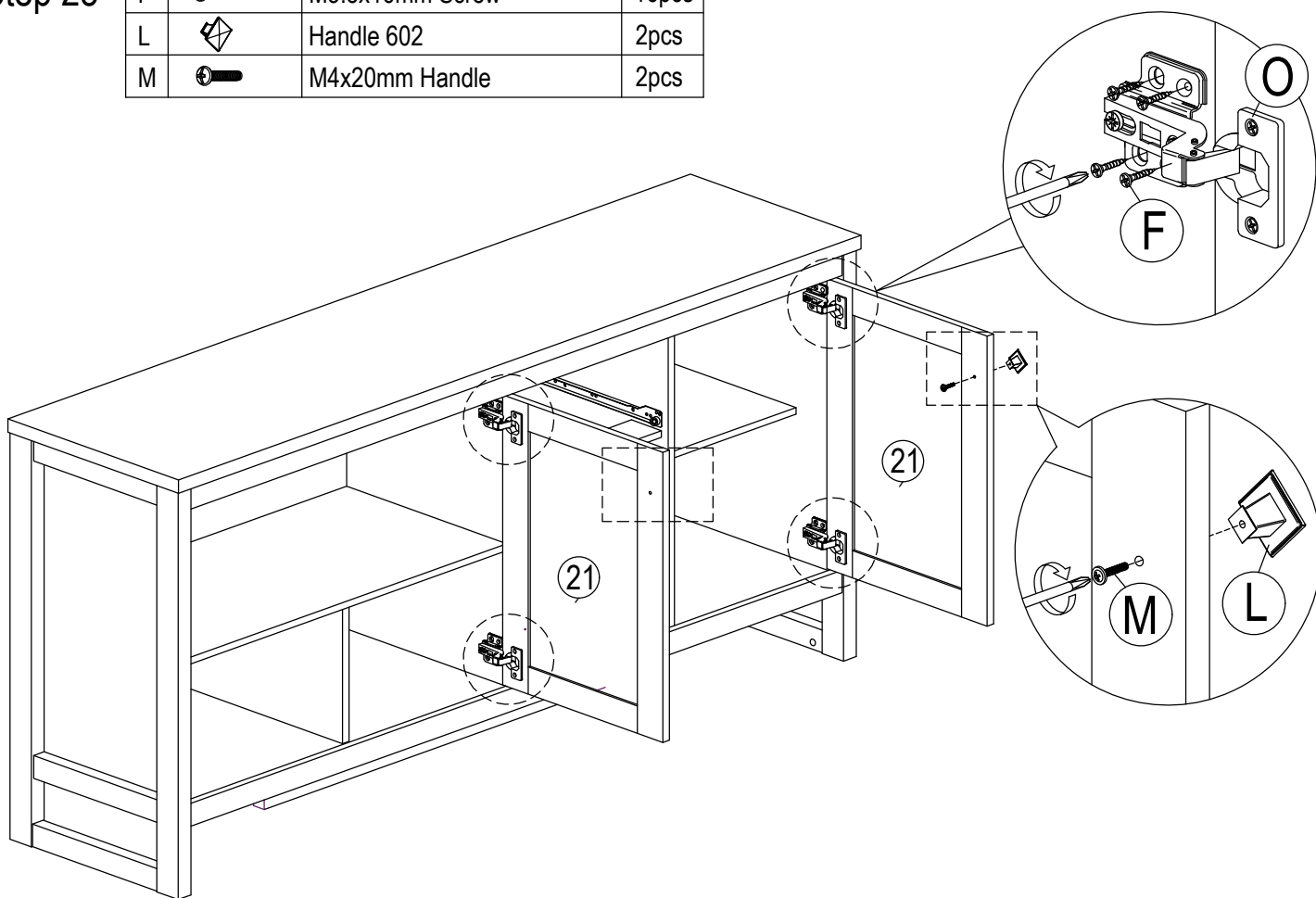
F		M3.5x16mm Screw	12pcs
O		2/8 Hinges	6pcs



# Assembly Instruction

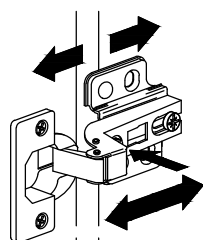
## Step 25

F		M3.5x16mm Screw	16pcs
L		Handle 602	2pcs
M		M4x20mm Handle	2pcs

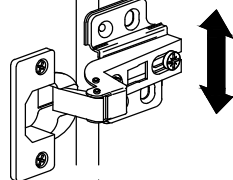


## HINGE ADJUSTMENT GUIDE

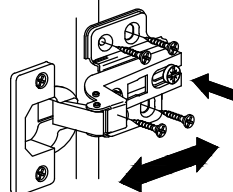
It may be necessary to adjust the hinges so that the doors align. Use the instructions below as a guide.



To adjust the door laterally adjust the screw as shown by turning clockwise or anti-clockwise.



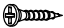
To adjust the door vertically loosen the screw as shown and move up and down as needed.





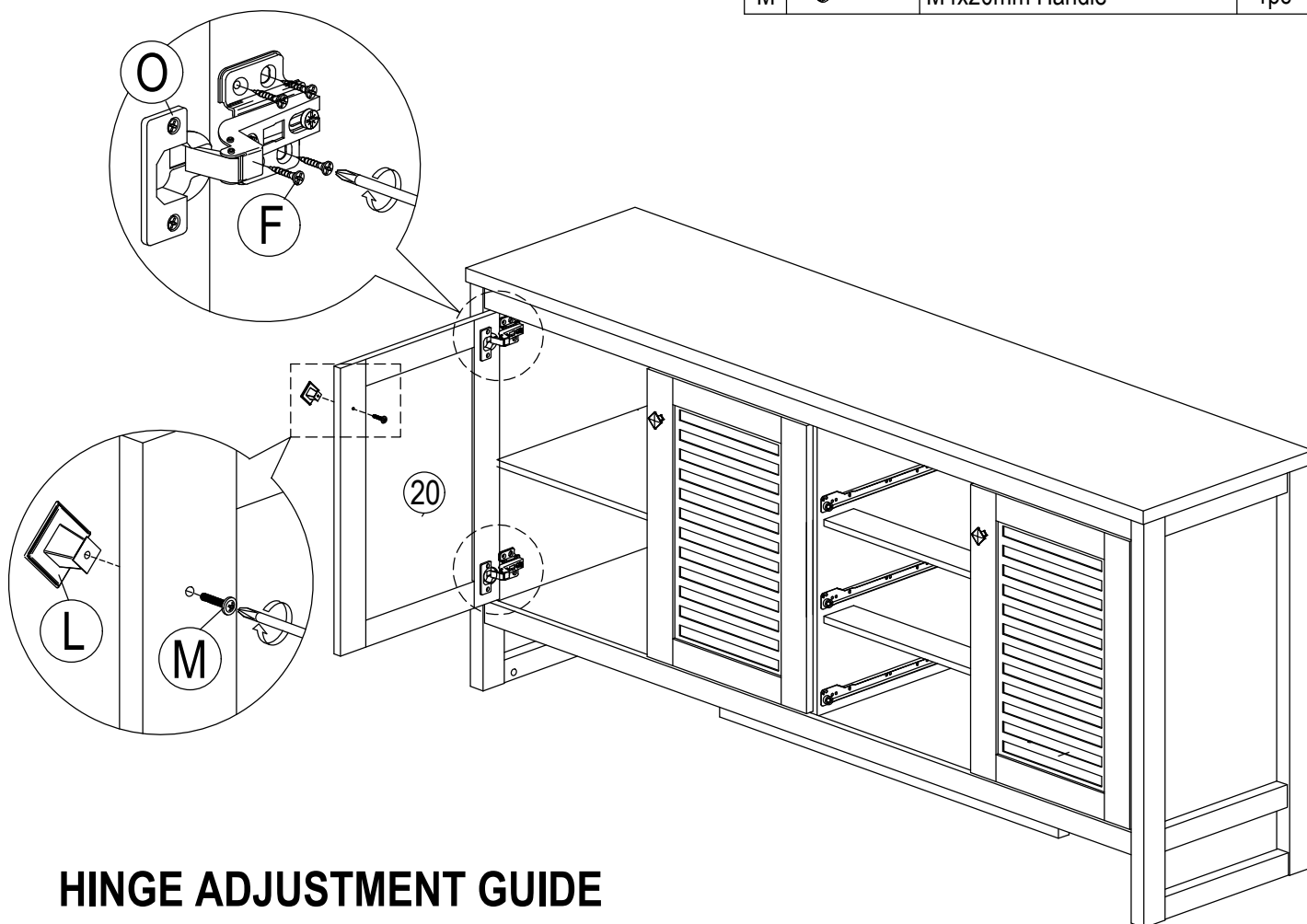
To adjust the gap from the door to the main frame turn the screw clockwise or anti-clockwise as needed.

# Assembly Instruction

Step 26

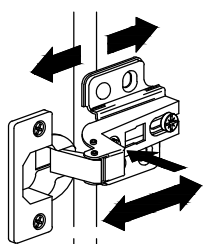
F		M3.5x16mm Screw	8pcs
---	---	-----------------	------

L		Handle 602	1pc
M		M4x20mm Handle	1pc

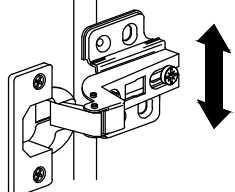


## HINGE ADJUSTMENT GUIDE

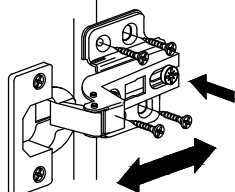
It may be necessary to adjust the hinges so that the doors align.  
Use the instructions below as a guide.



To adjust the door laterally adjust the screw as shown by turning clockwise or anti-clockwise.




To adjust the door vertically loosen the screw as shown and move up and down as needed.

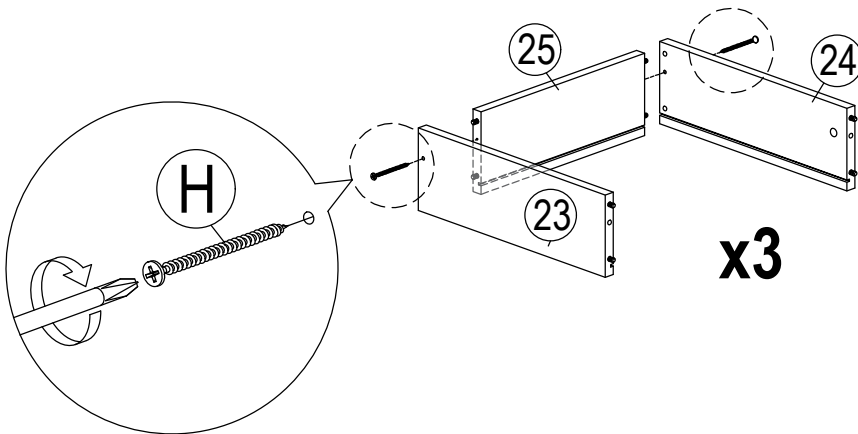


To adjust the gap from the door to the main frame turn the screw clockwise or anti-clockwise as needed.

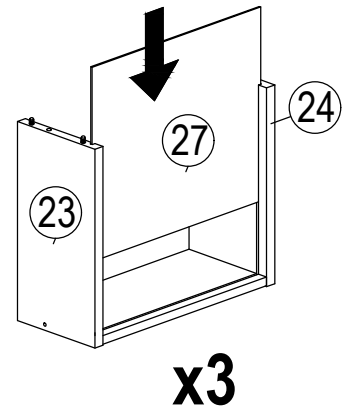
# Assembly Instruction

Step 27 

H		M4x45mm Screw	6pcs
---	---	---------------	------

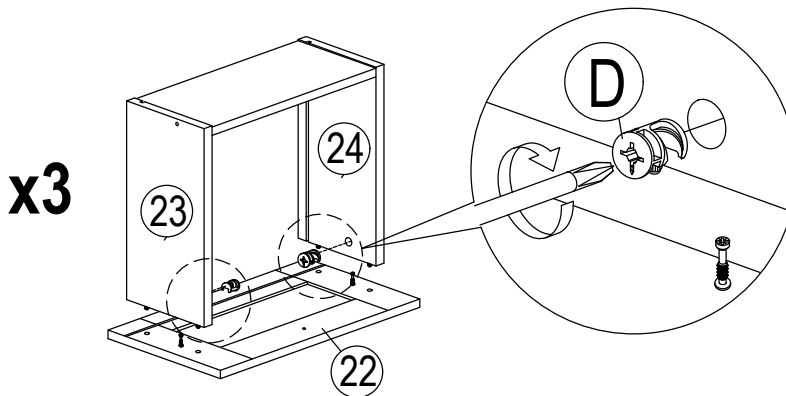


Step 28





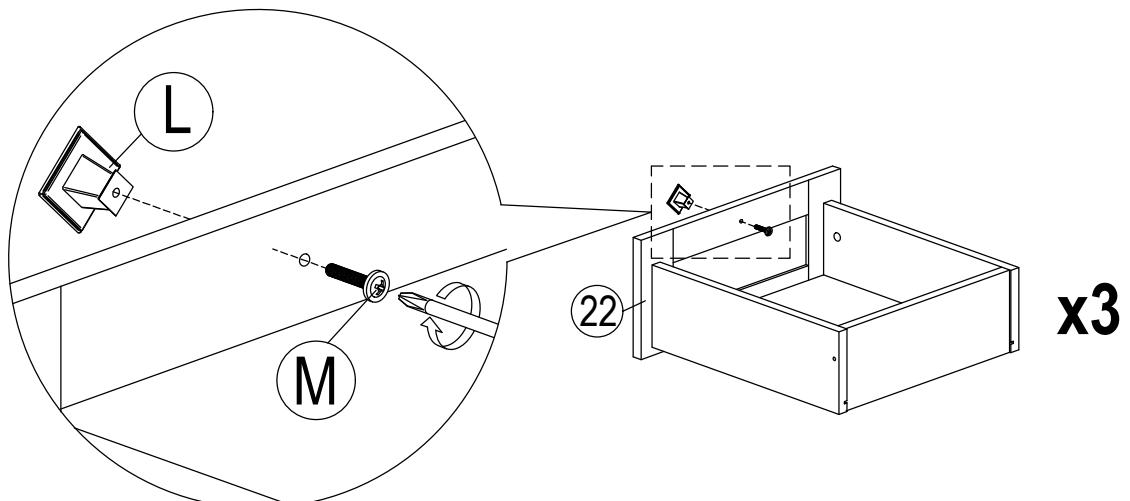
Step 29 

D		Minifix	6pcs
---	---	---------	------





Step 30 

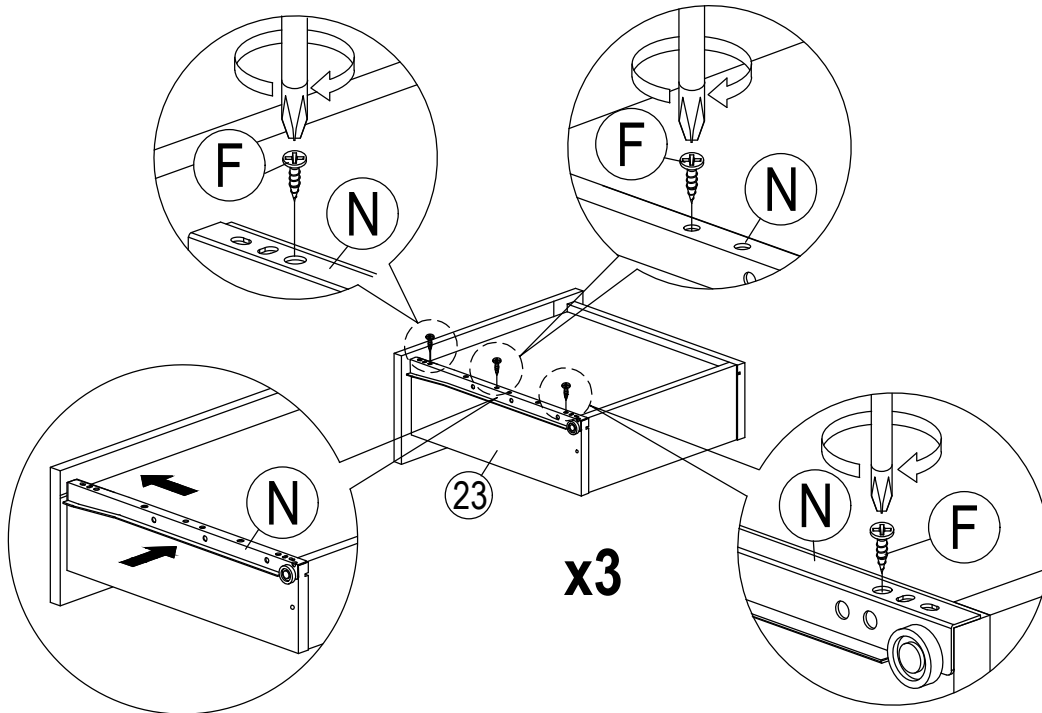
L		Handle 602	3pcs
M		M4x20mm Handle Screw	3pcs




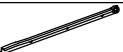
# Assembly Instruction

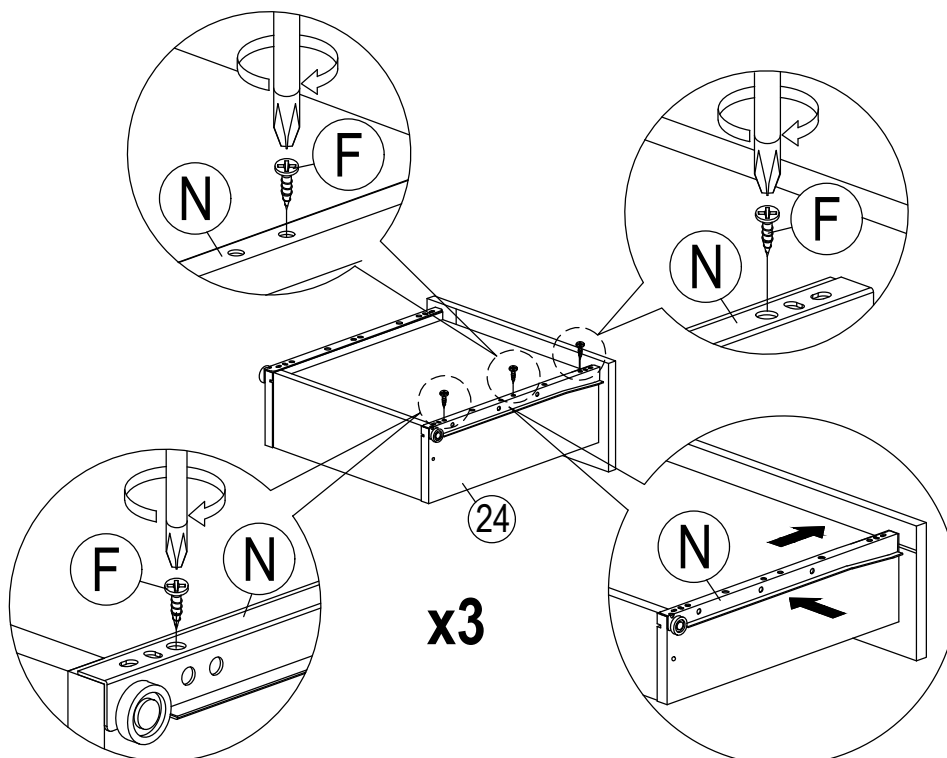
Step 31

F		M3.5x16mm Screw	9pcs
N		Drawer Slide 350mm - L	3pcs



Step 32

F		M3.5x16mm Screw	9pcs
N		Drawer Slide 350mm - L	3pcs



# Assembly Instruction

Step 33

