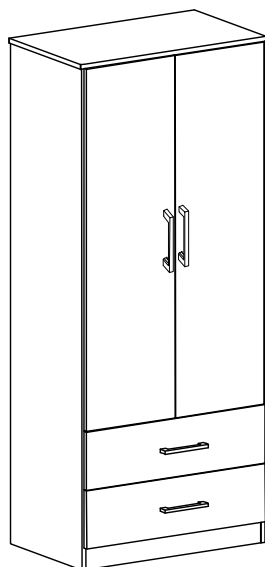


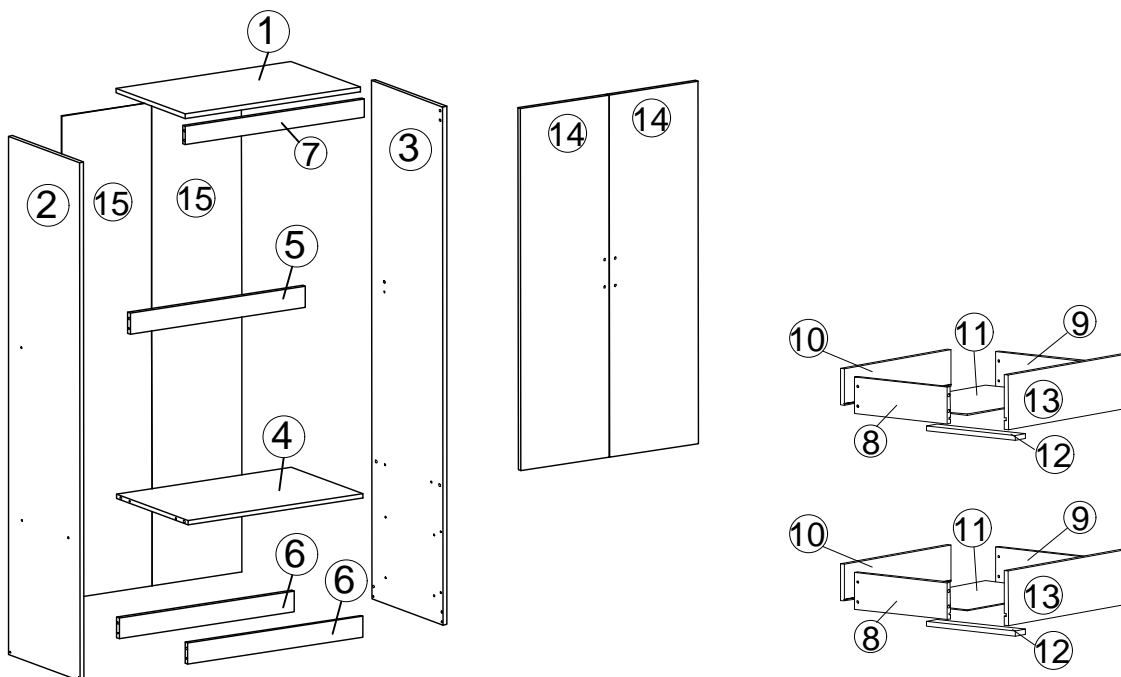
# Assembly Instruction

Model : LEGO 2D + 2 DRAWERS WARDROBE



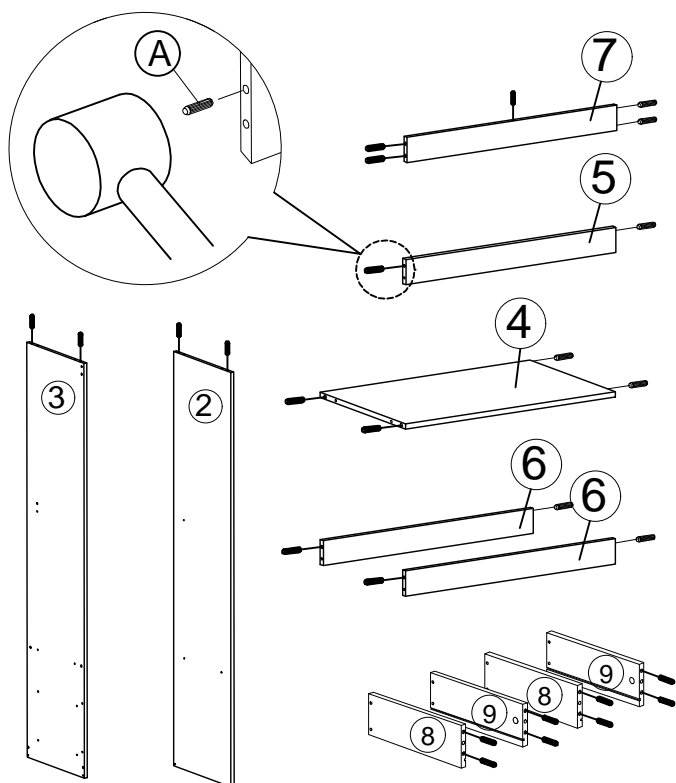
Hardware List			
No.	SHAPE	DESCRIPTION	Qty.
A		8x25mm Dowel	27Pcs
B		M3.5x16mm Screw	48Pcs
C		M4x45mm Screw	20Pcs
D		Hinges	4Pcs
E		Leg L	4Pcs
F		Nail	40Pcs
G		M4x65mm Screw	4Pcs
H		V Bracket	2Pcs
I		Handle (128mm)	4Pcs
J		M4x28mm Screw	8Pcs
K		Stiker	18Pcs
L		15MM Myfix Minifix	6Sets
M		Drawer Slide 16" (400mm)	2Sets
N		Aluminium Pipe (760mm)	1Pcs

## Part List

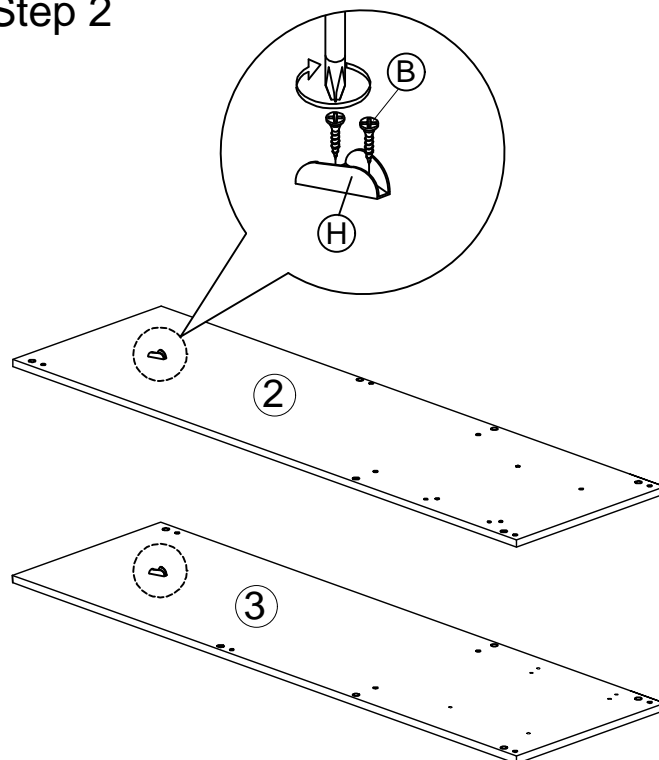


# Assembly Instruction

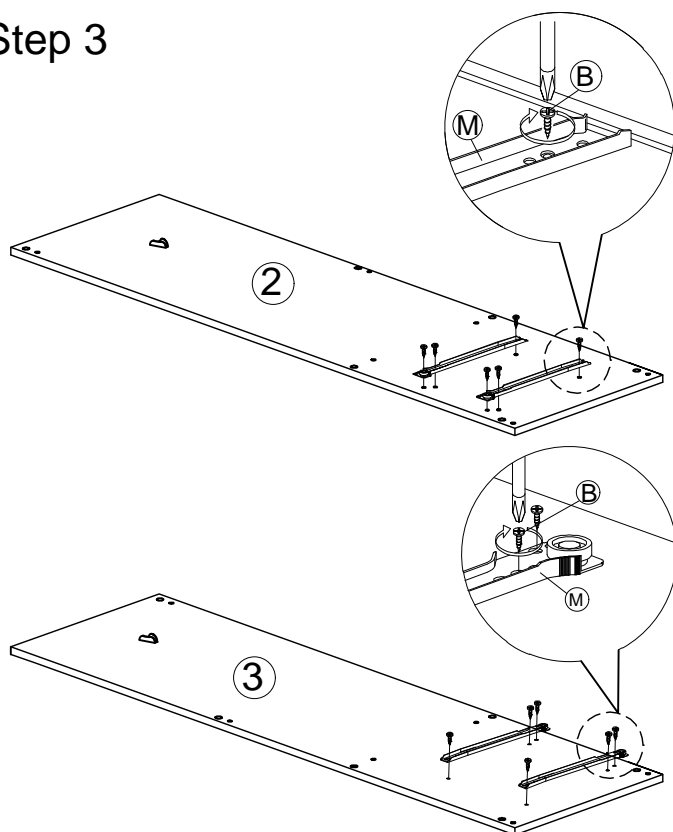
## Step 1



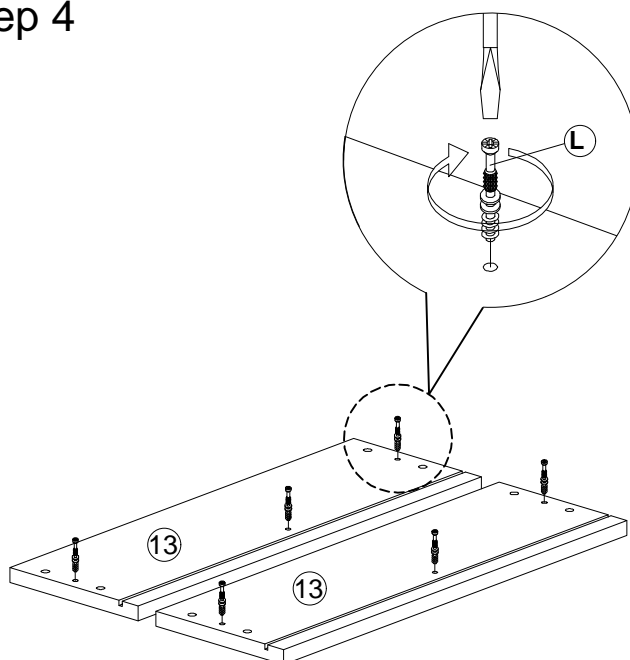
## Step 2



## Step 3

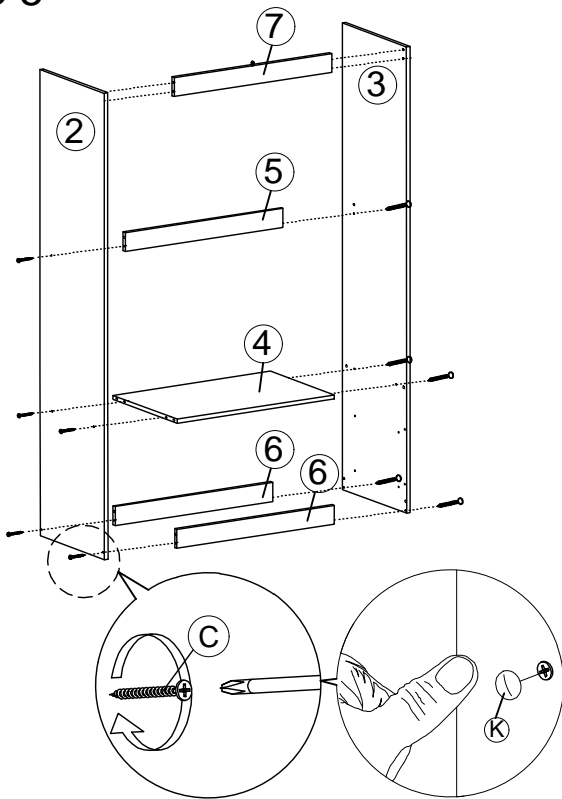


## Step 4

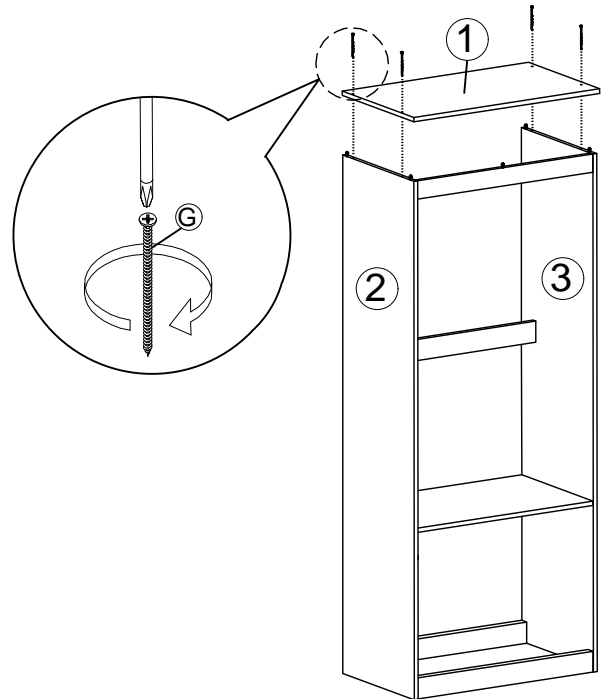


# Assembly Instruction

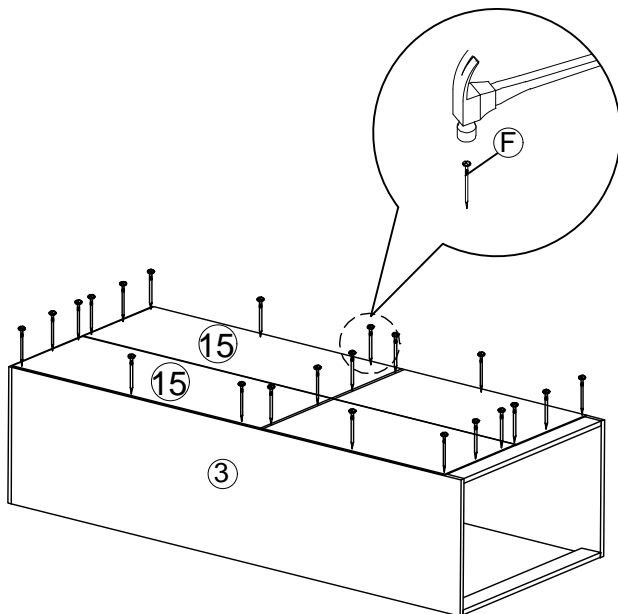
Step 5



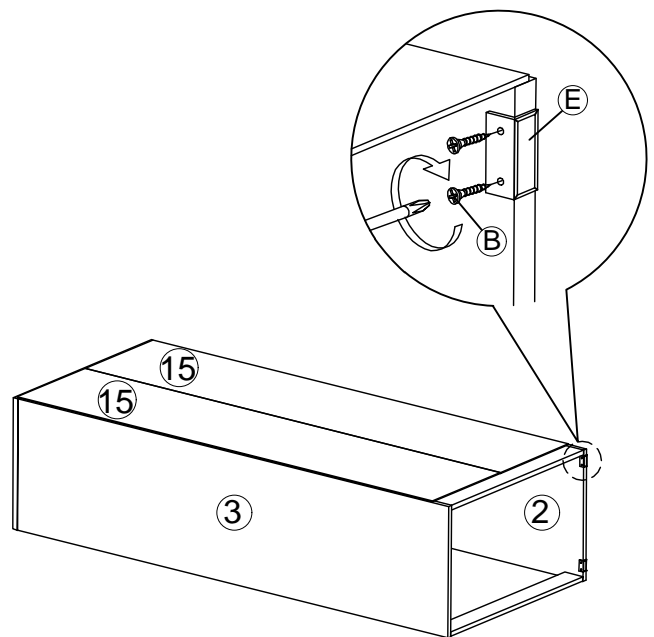
Step 6



Step 7

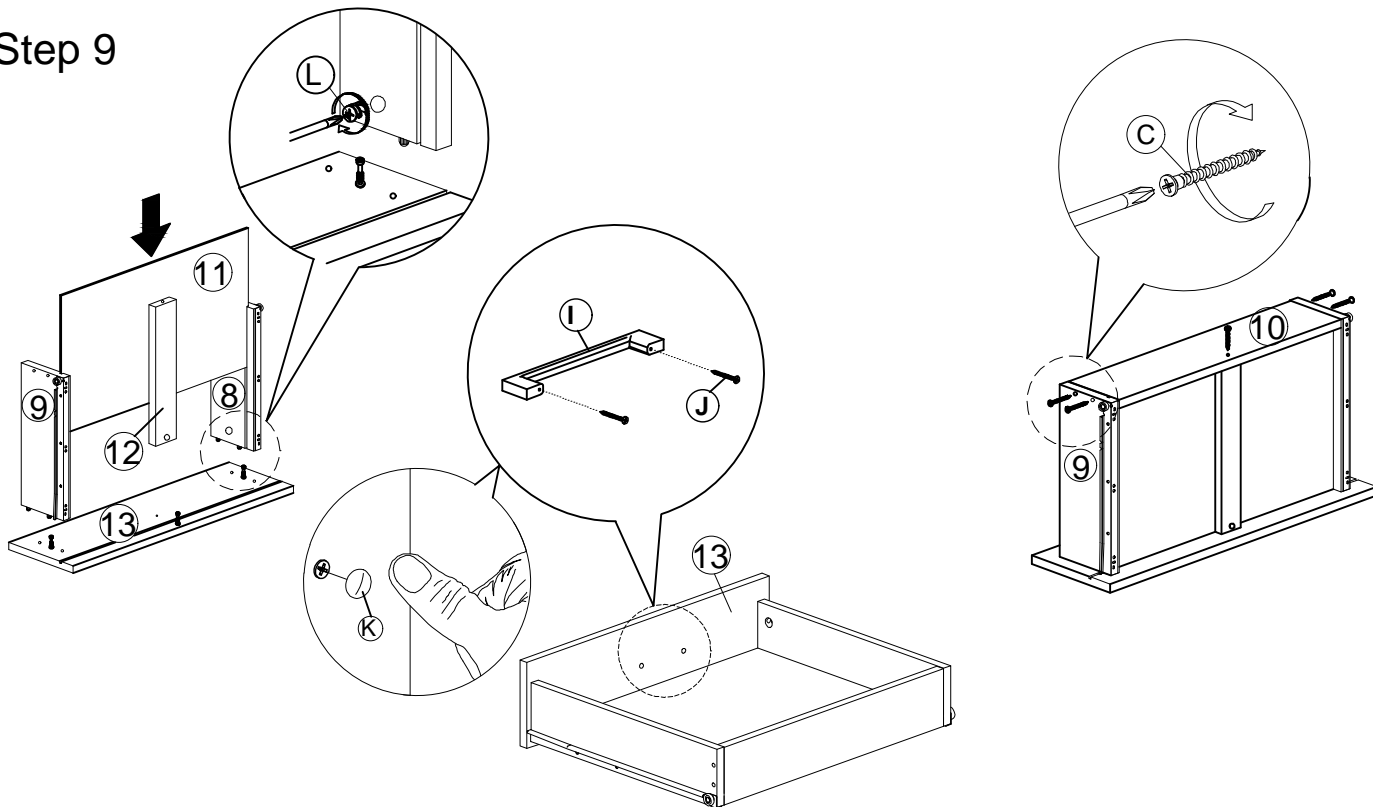


Step 8

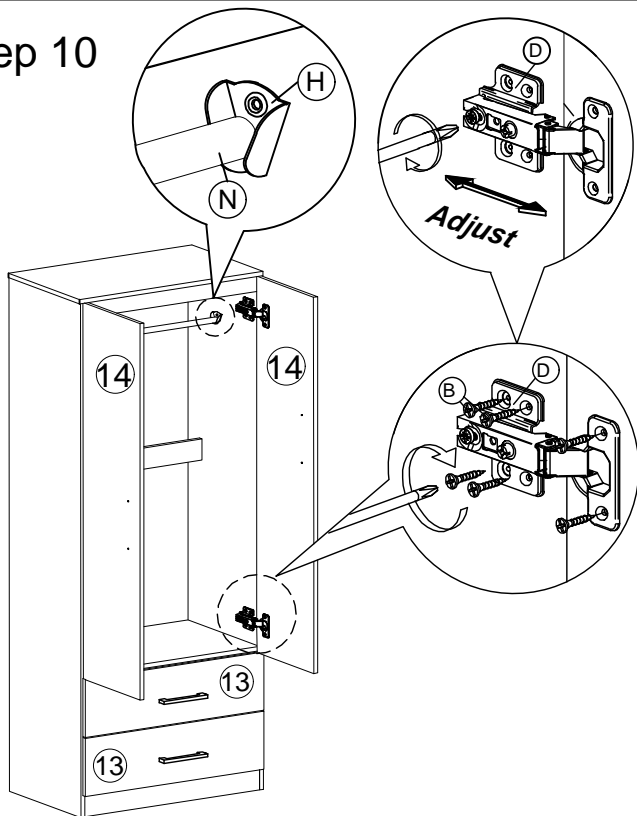


# Assembly Instruction

## Step 9



## Step 10



## Step 11

