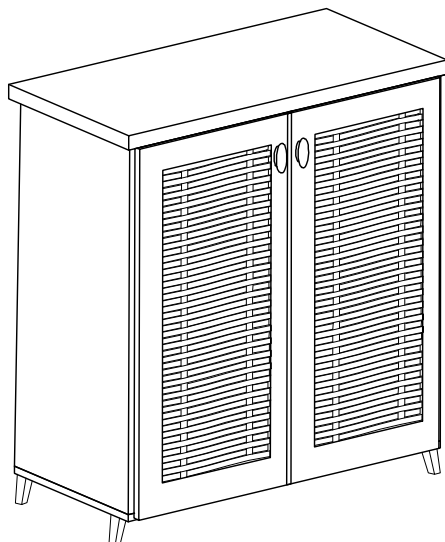
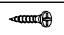





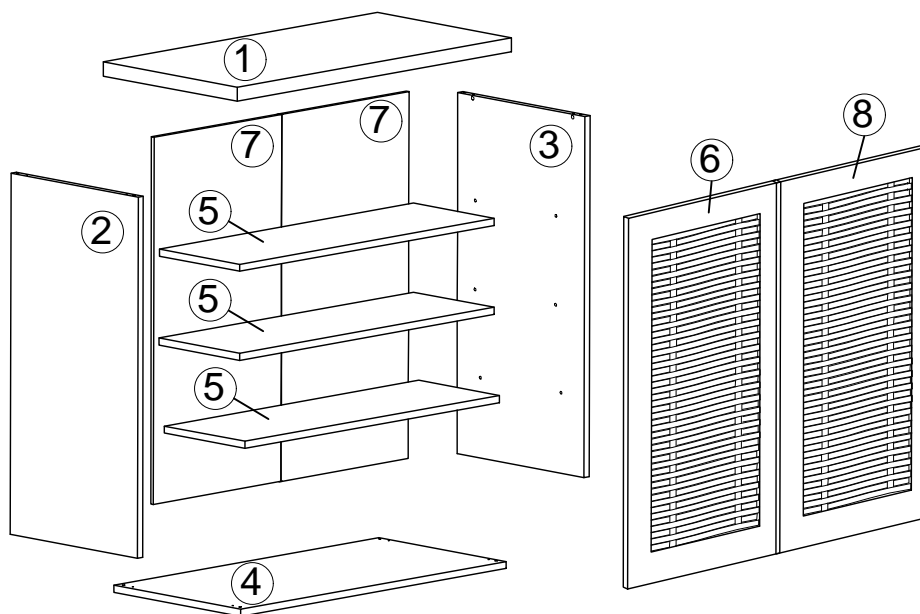
Assembly Instruction

Mantam Shoe Rack



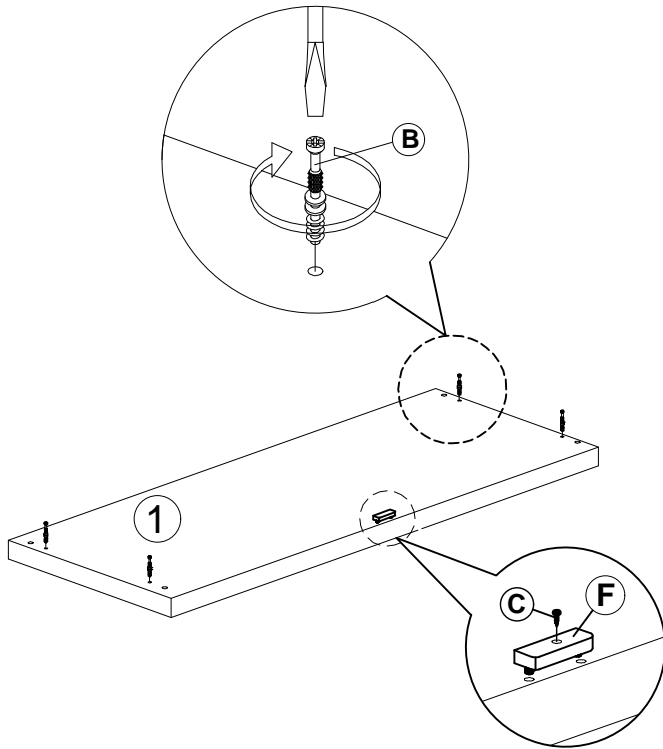
Hardware List			
No.	SHAPE	DESCRIPTION	Qty.
A		8x25mm Dowel	8Pcs
B		15MM Myfix Minifix	4Sets
C		M3.5x16mm Screw	41Pcs
D		M4x45mm Screw	4Pcs
E		Nail	30Pcs
F		2 Pin Stopper	1Pcs
G		Hinges	4Pcs
H		Plastic Leg	4Pcs
I		Shelf Support	12Pcs
J		Handle Knod	2Pcs
K		M4x28mm Screw	2Pcs
L		Sticker	2Pcs

Part List

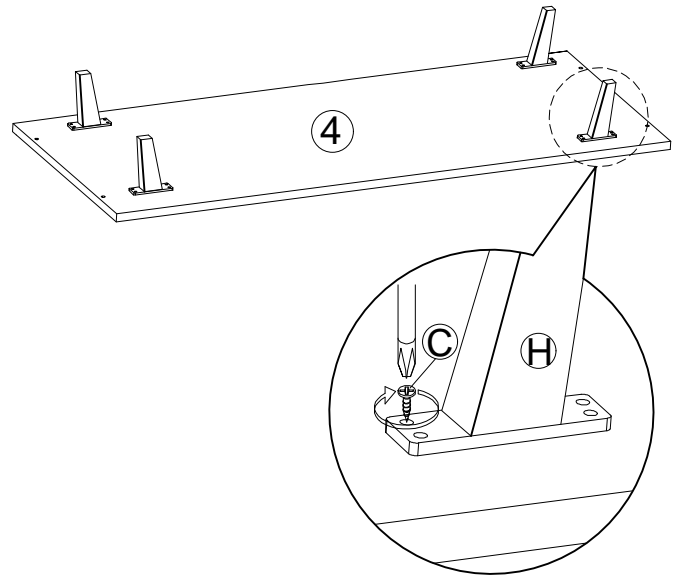


Assembly Instruction

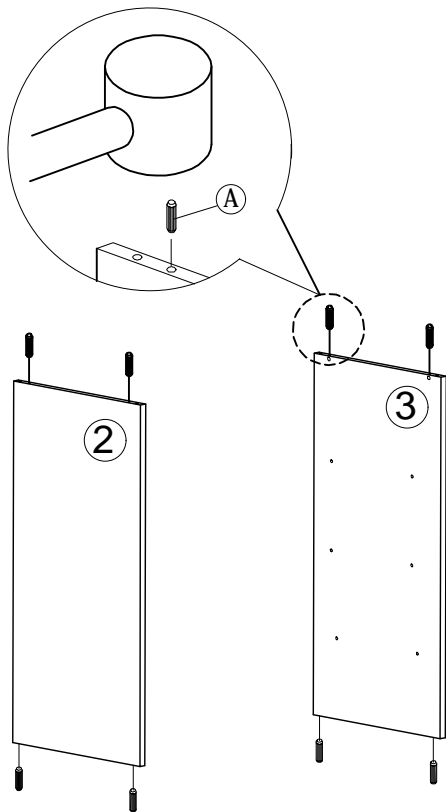
Step 1



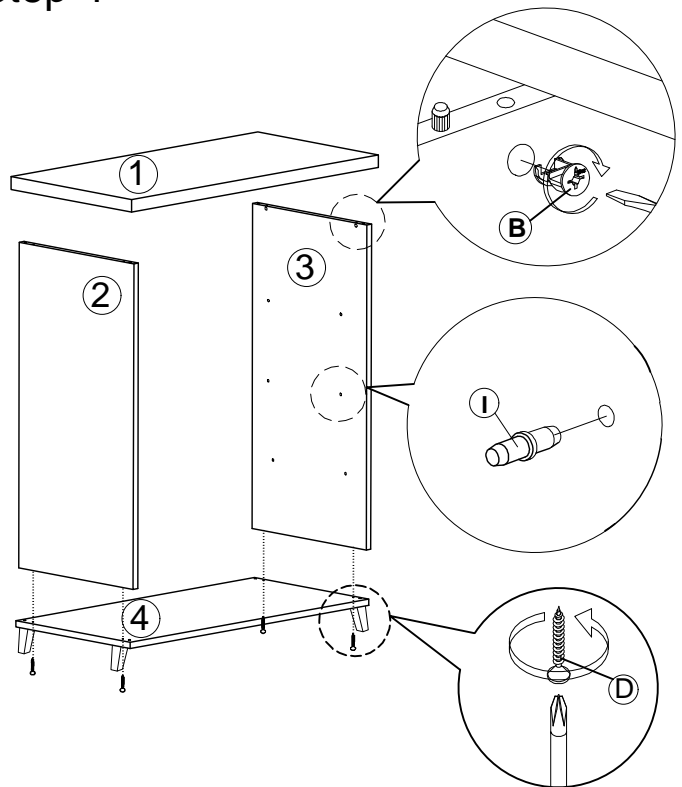
Step 2



Step 3

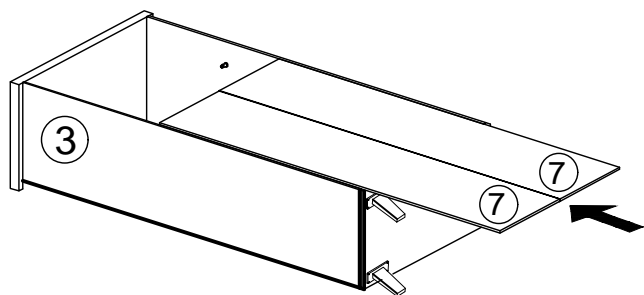


Step 4

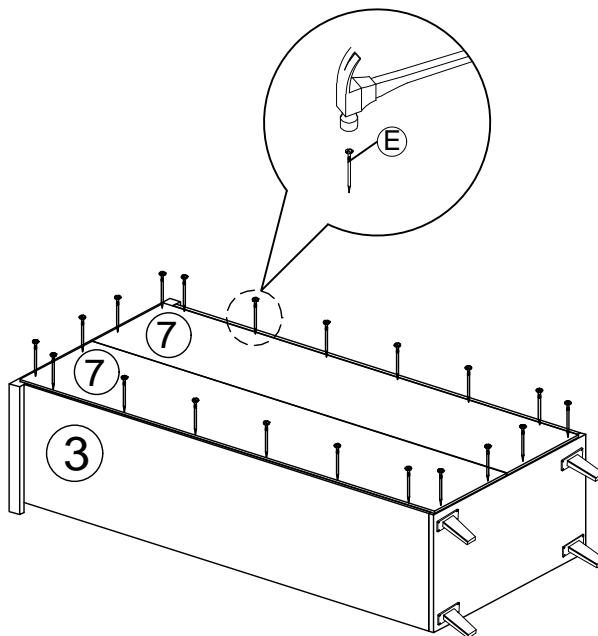


Assembly Instruction

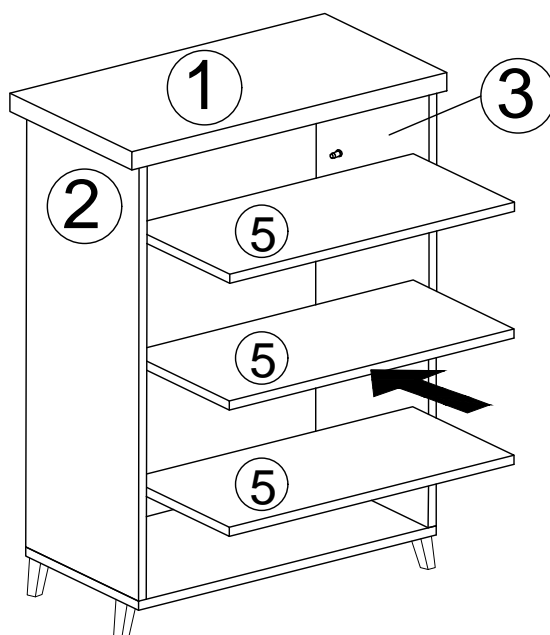
Step 5



Step 6

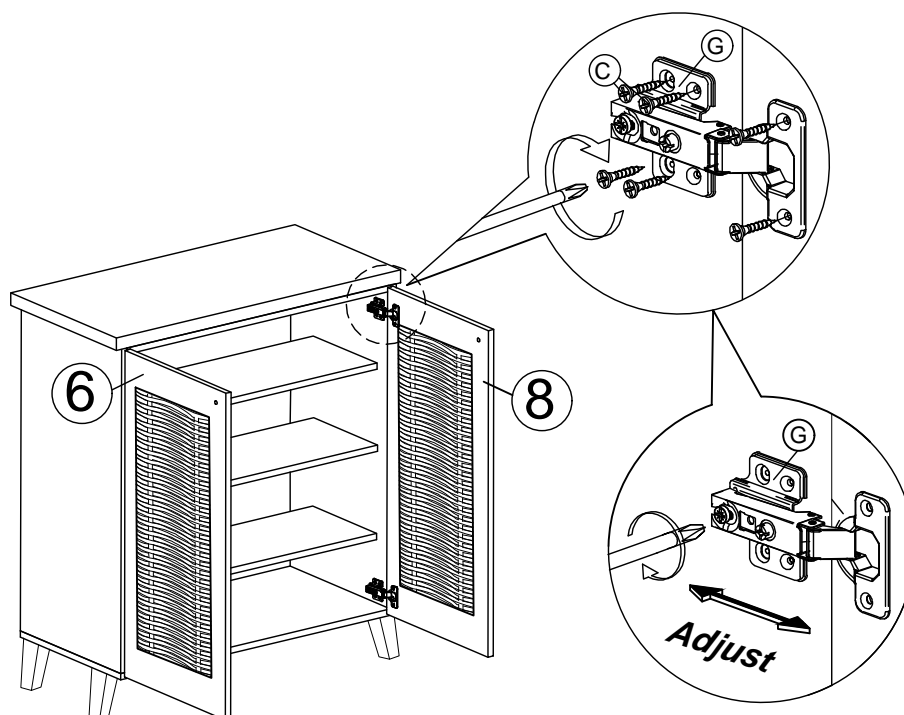


Step 7



Assembly Instruction

Step 8



Step 9

