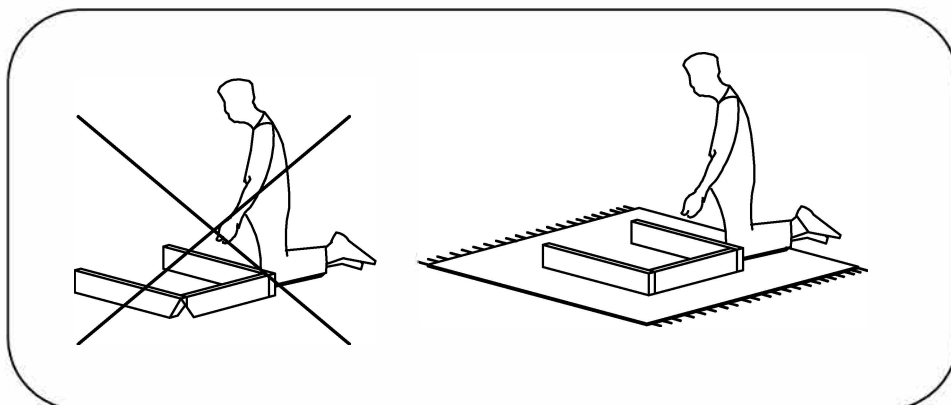
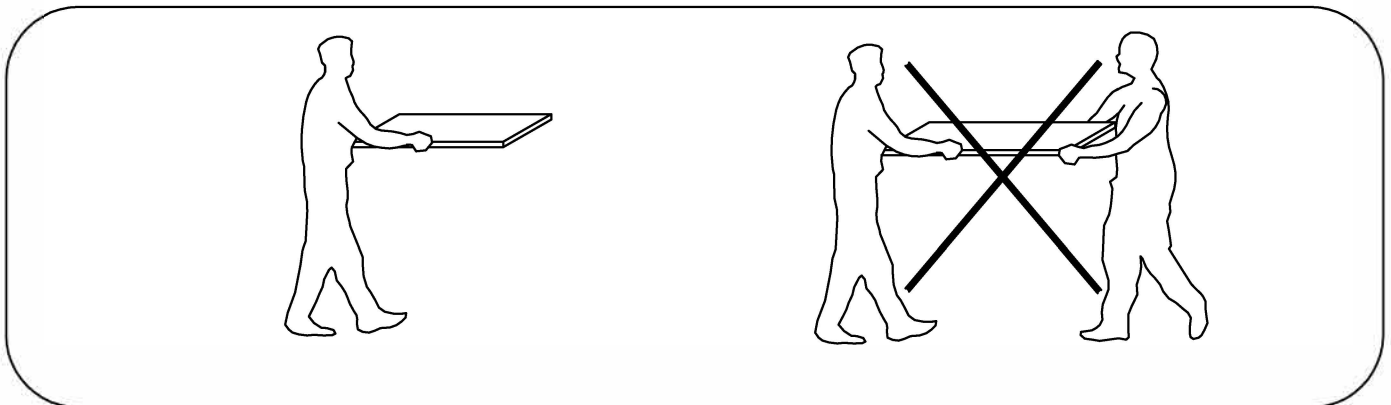
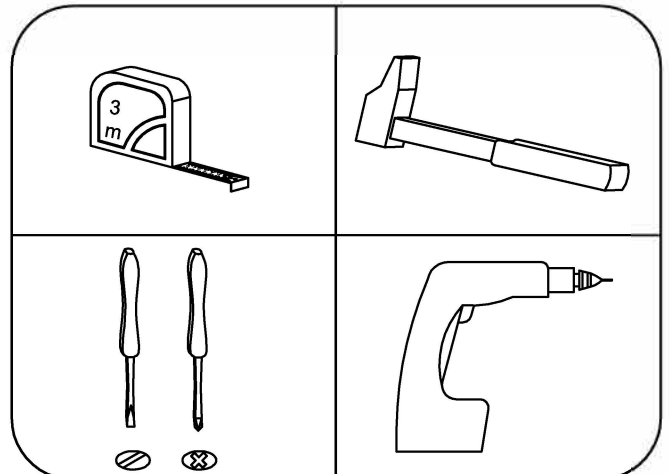
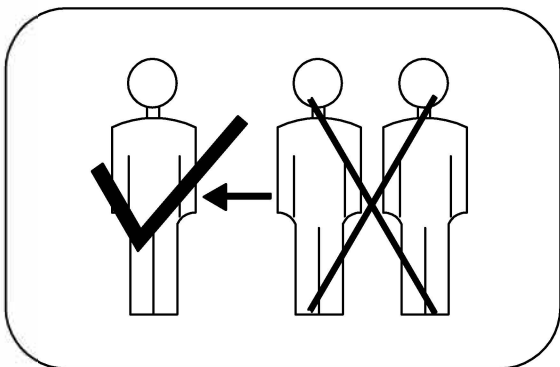
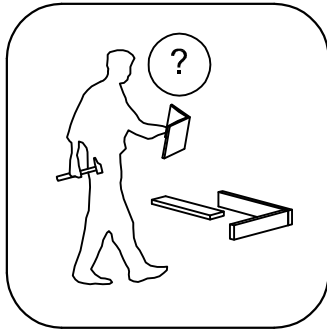
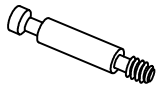
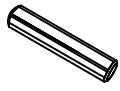
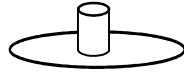
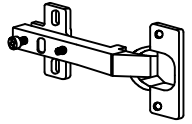

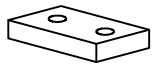
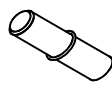
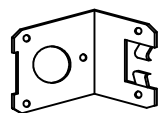
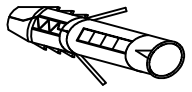
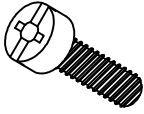
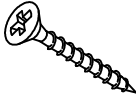

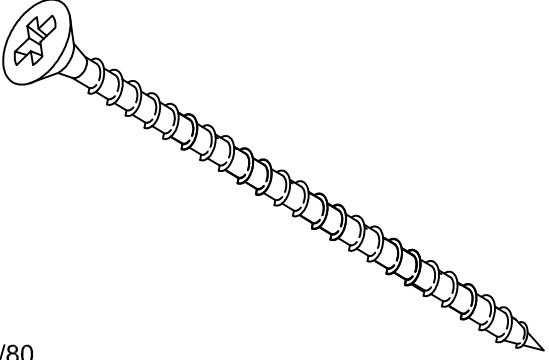



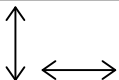
40 min.

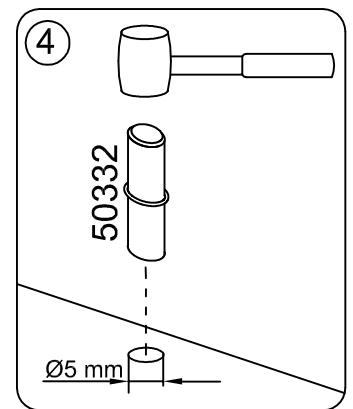
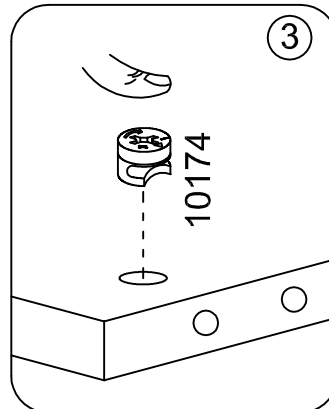
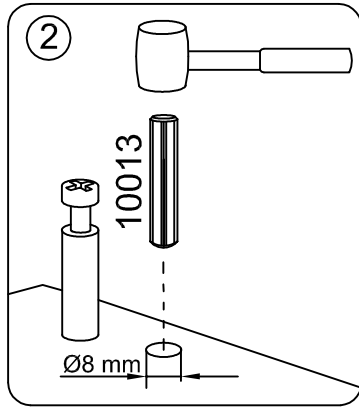
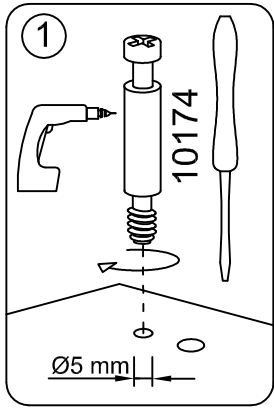


<http://www.irimbg.com/instructions/>

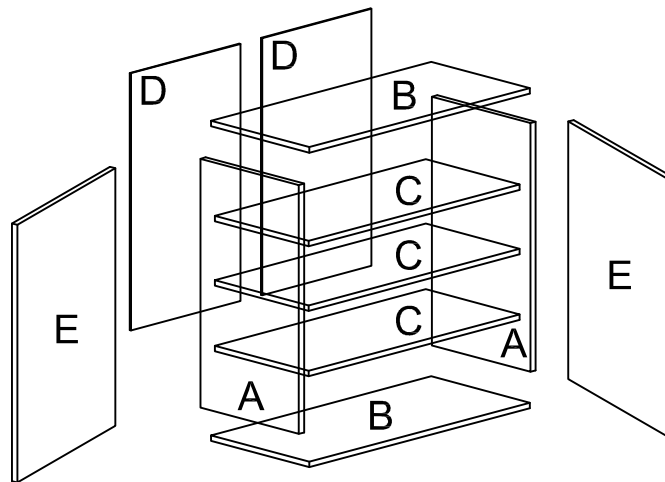


8x  10174	8x  10013	8x  50317	4x  40158
2x  20111	4x  50249	12x  50332	2x  51066
2x  10060	4x  10186	8x  10002	20x  10001
2x  10021		 10033	

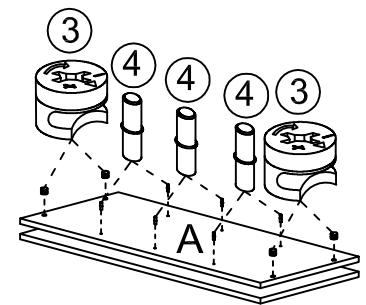
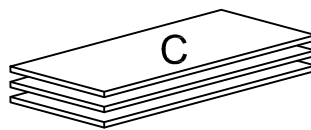
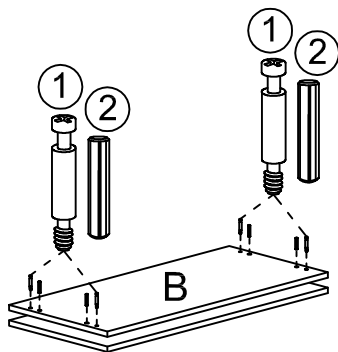
		Box number
A	818x335	1/2
B	818x335	2/2
C	3x 718x320	2/2
D	2x 845x372	1/2
E	2x 847x372	1/2



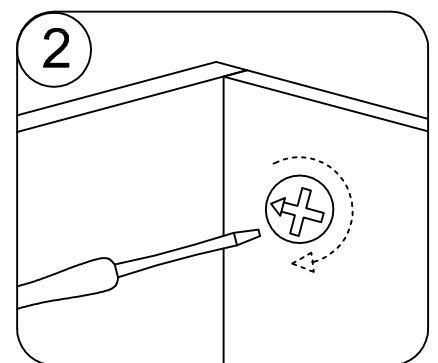
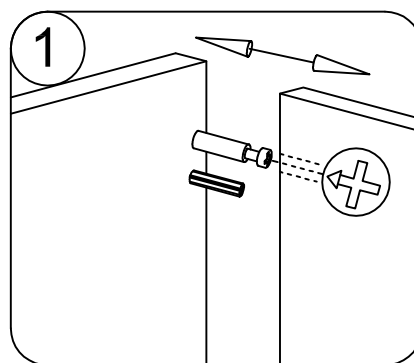
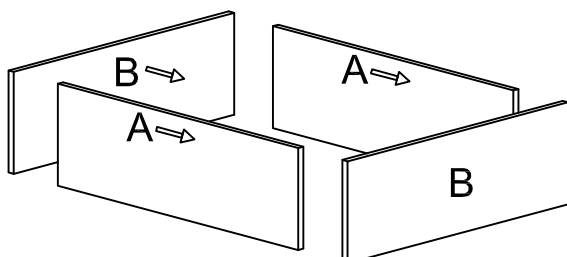
1



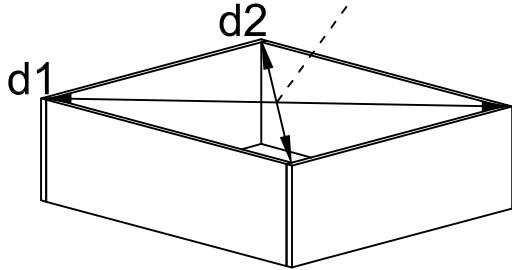
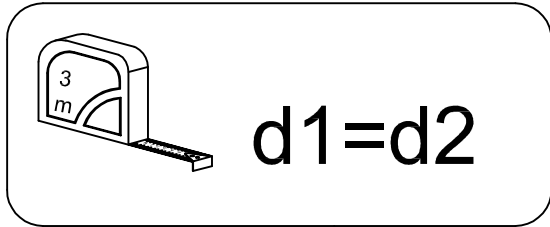
1.1



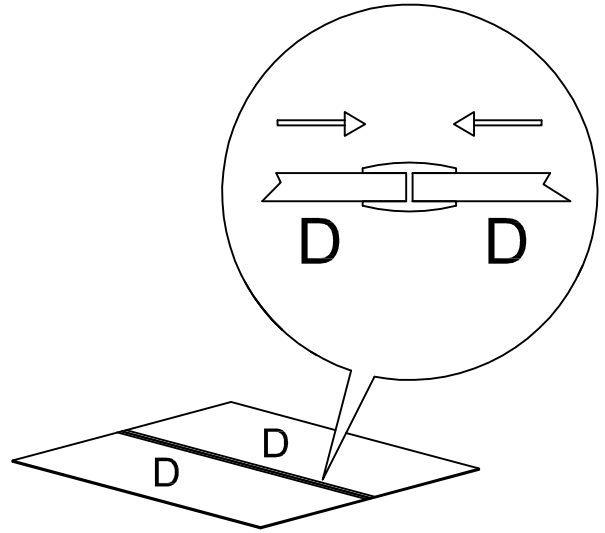
1.2



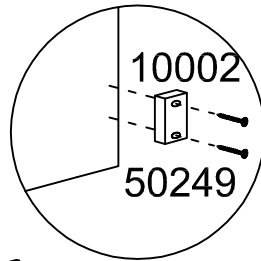
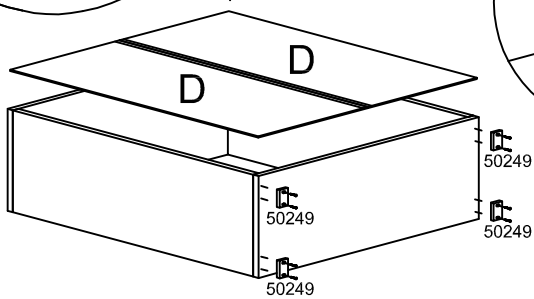
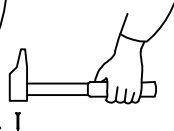
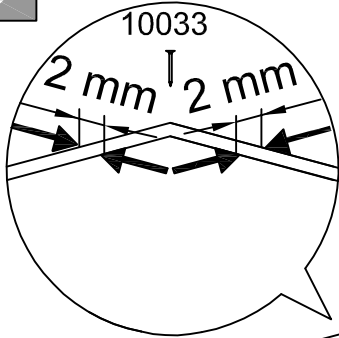
1.3



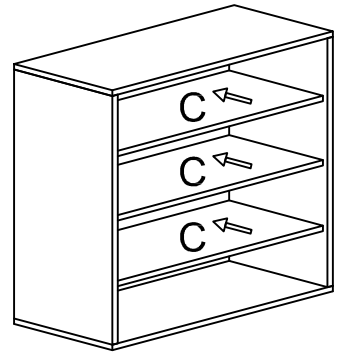
1.4



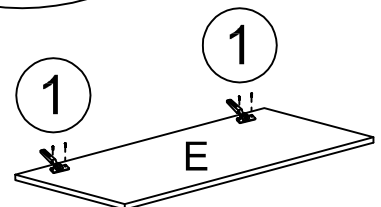
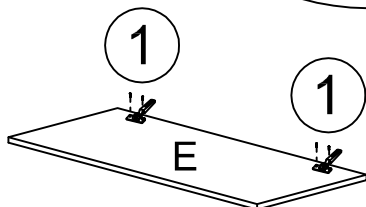
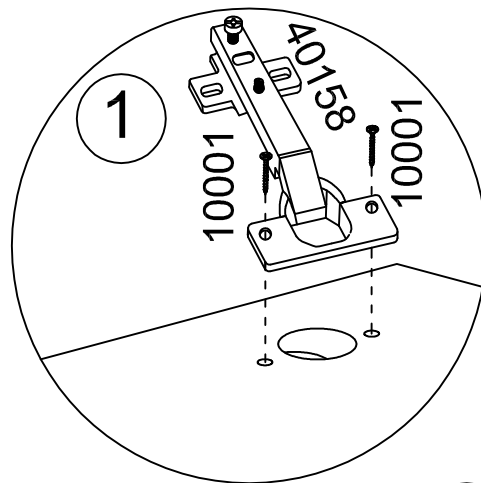
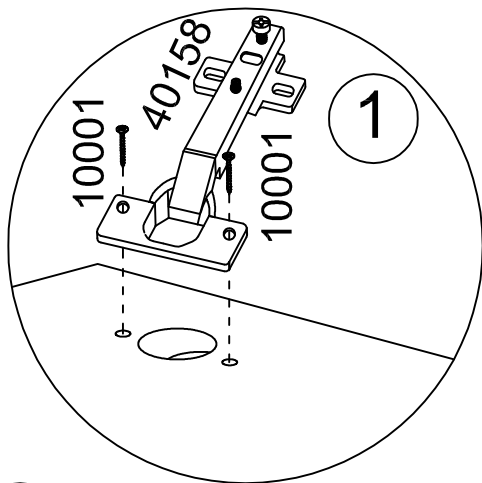
1.5



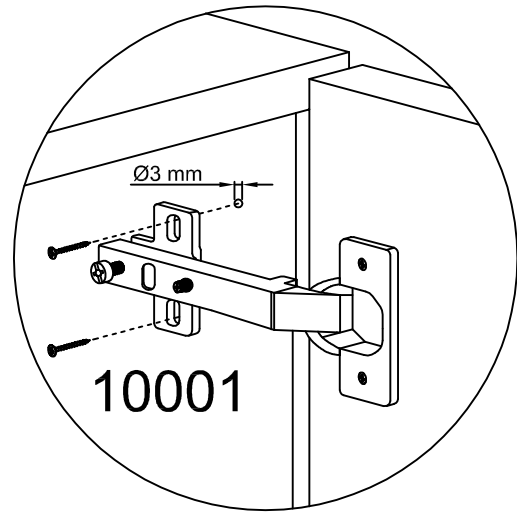
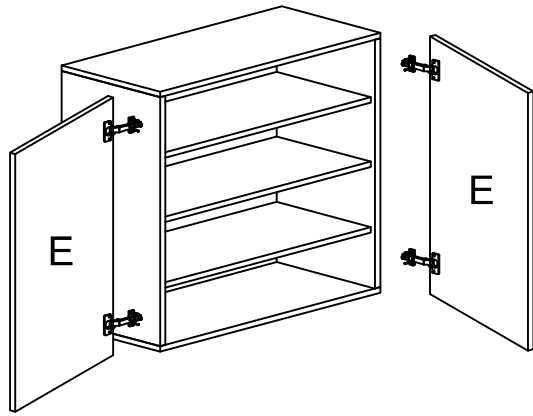
1.6



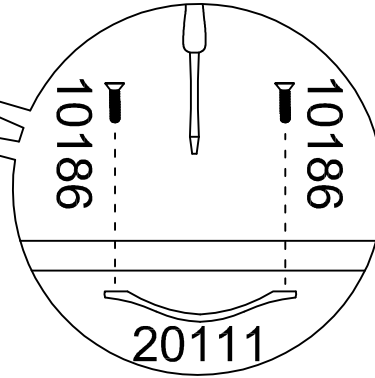
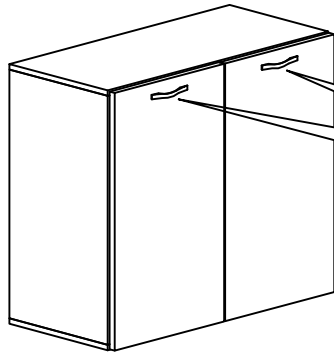
1.7



1.8



1.9



1.10

