

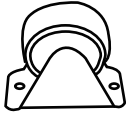
ASSEMBLY INSTRUCTION

035-000062

PARTS AND HARDWARE



Leg
12X



4X



8X



1X

DIAGRAM 1

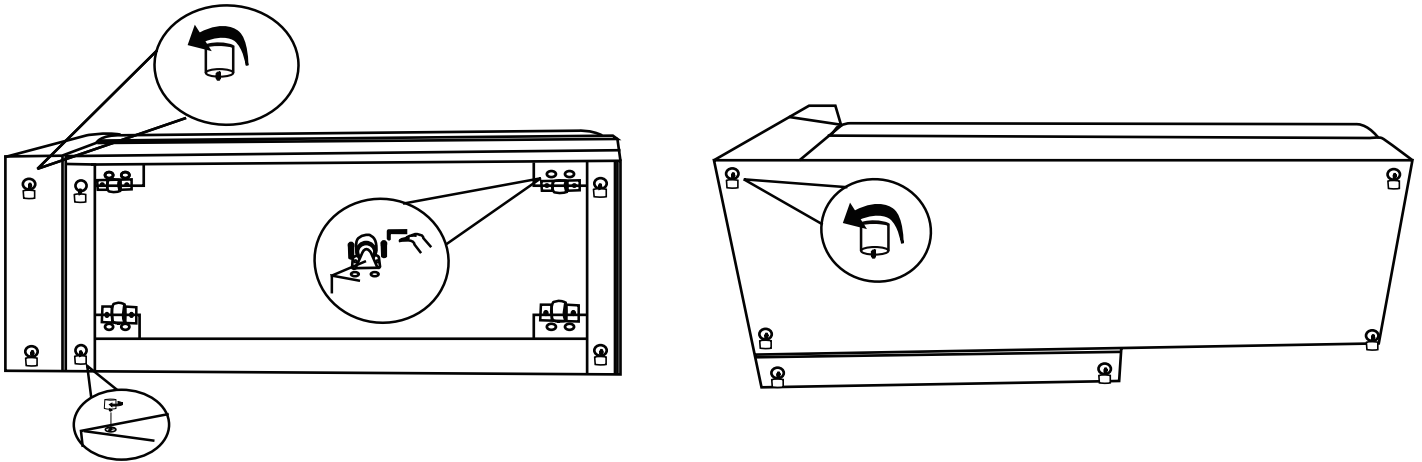


DIAGRAM 2

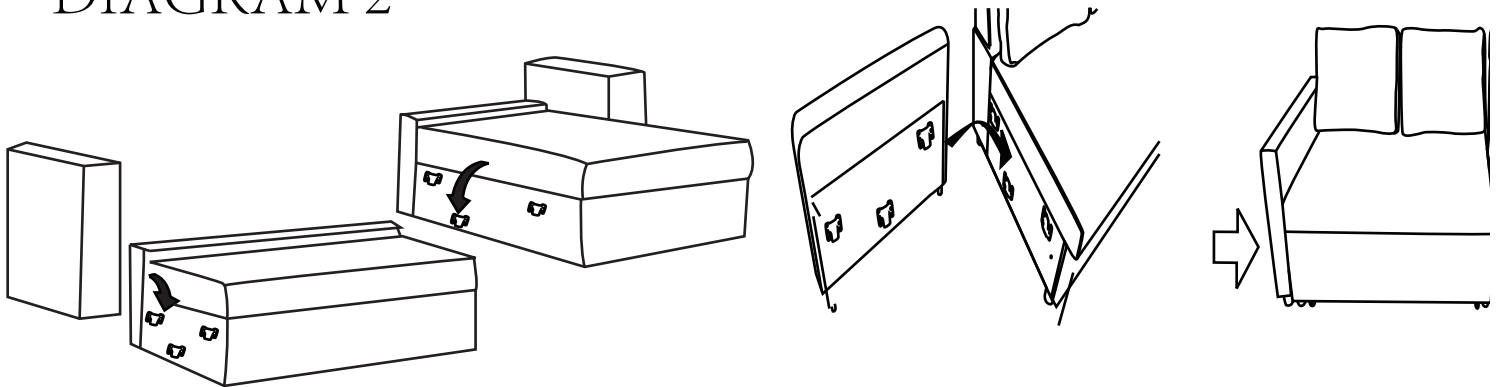
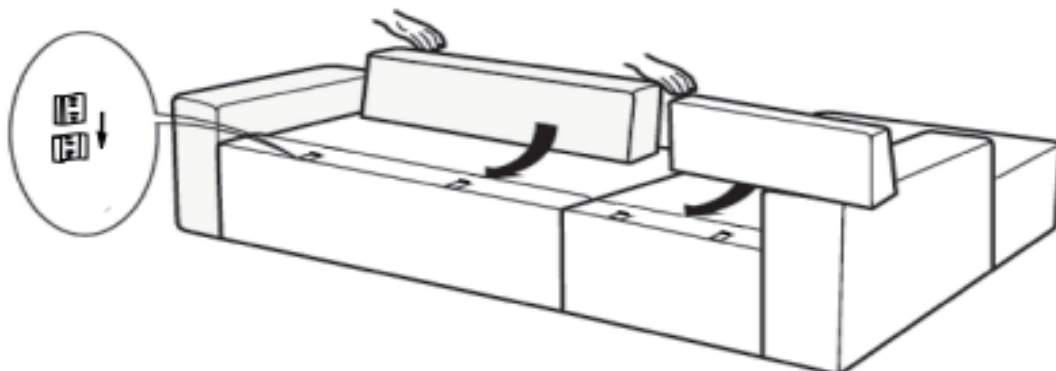


DIAGRAM 3



ASSEMBLY INSTRUCTION

DIAGRAM 4

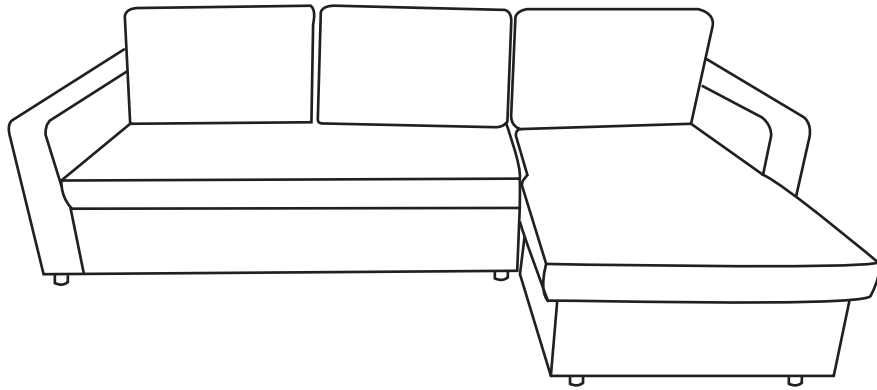


DIAGRAM 5

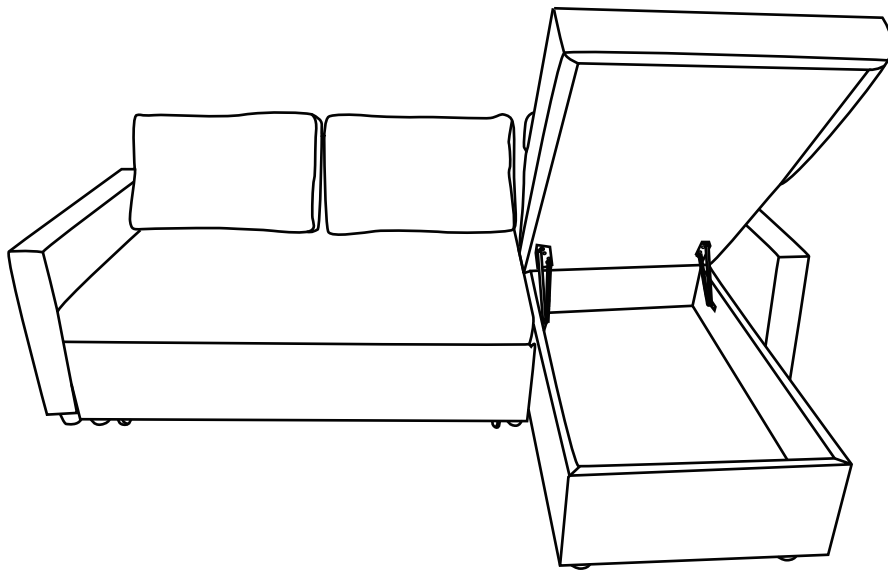


DIAGRAM 6

