

ASSEMBLY INSTRUCTIONS

PARTS AND HARDWARE

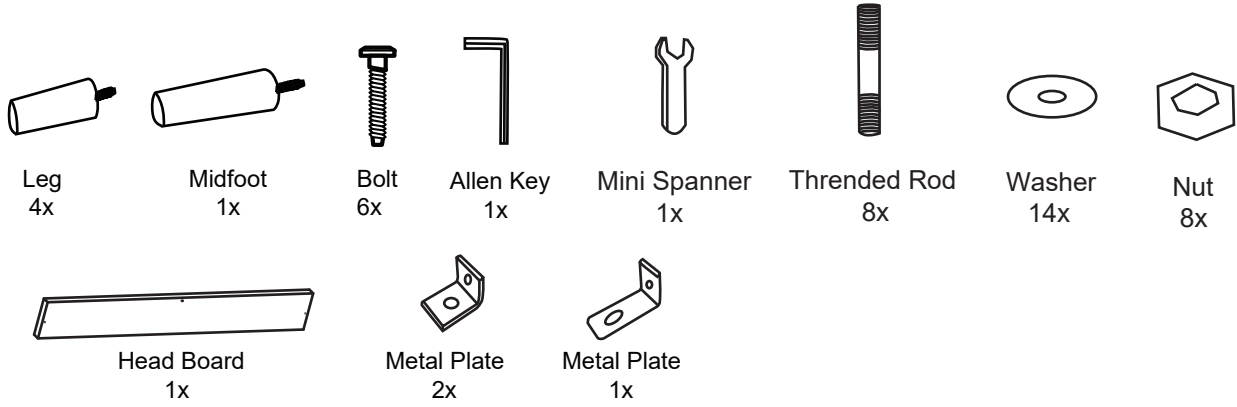


DIAGRAM 1

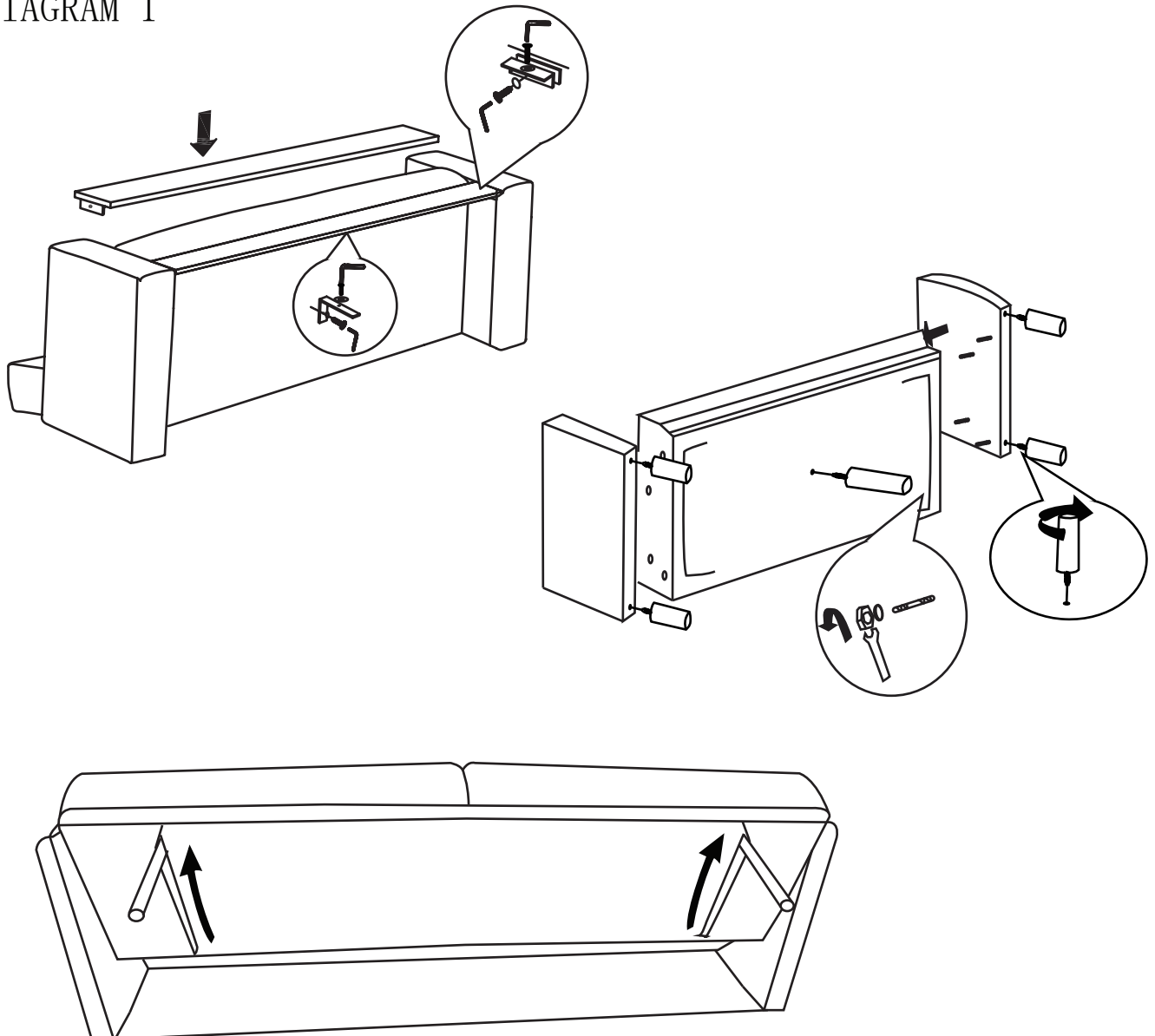


DIAGRAM 2

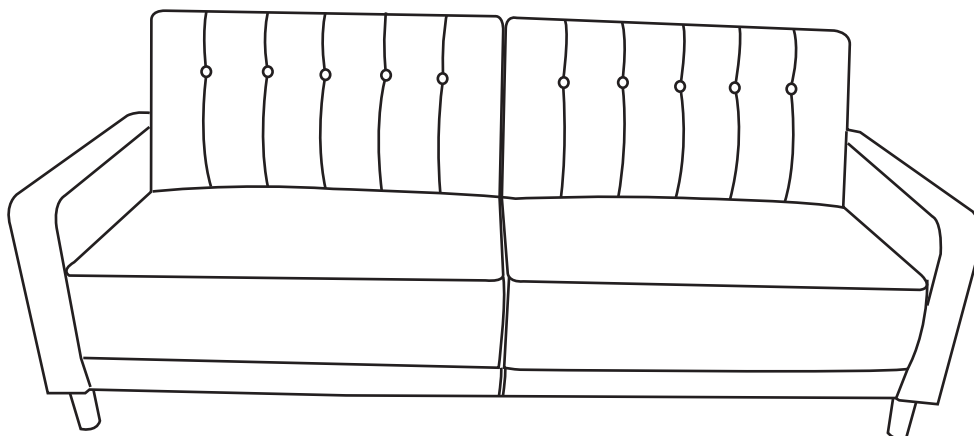


DIAGRAM 3

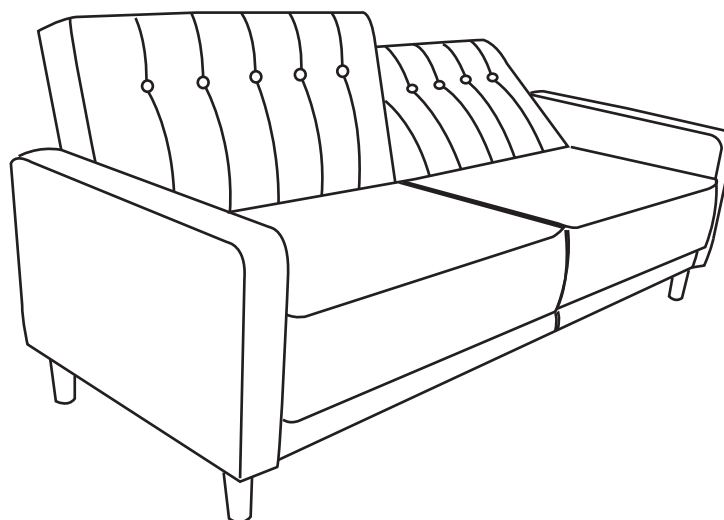


DIAGRAM 4

