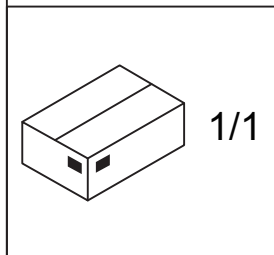
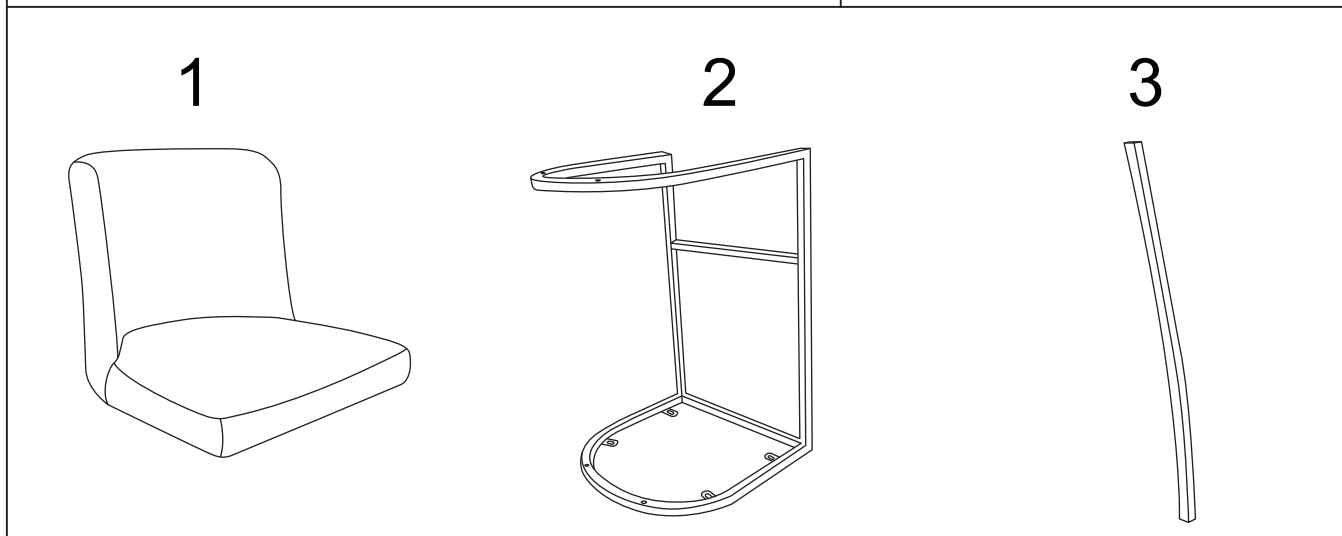
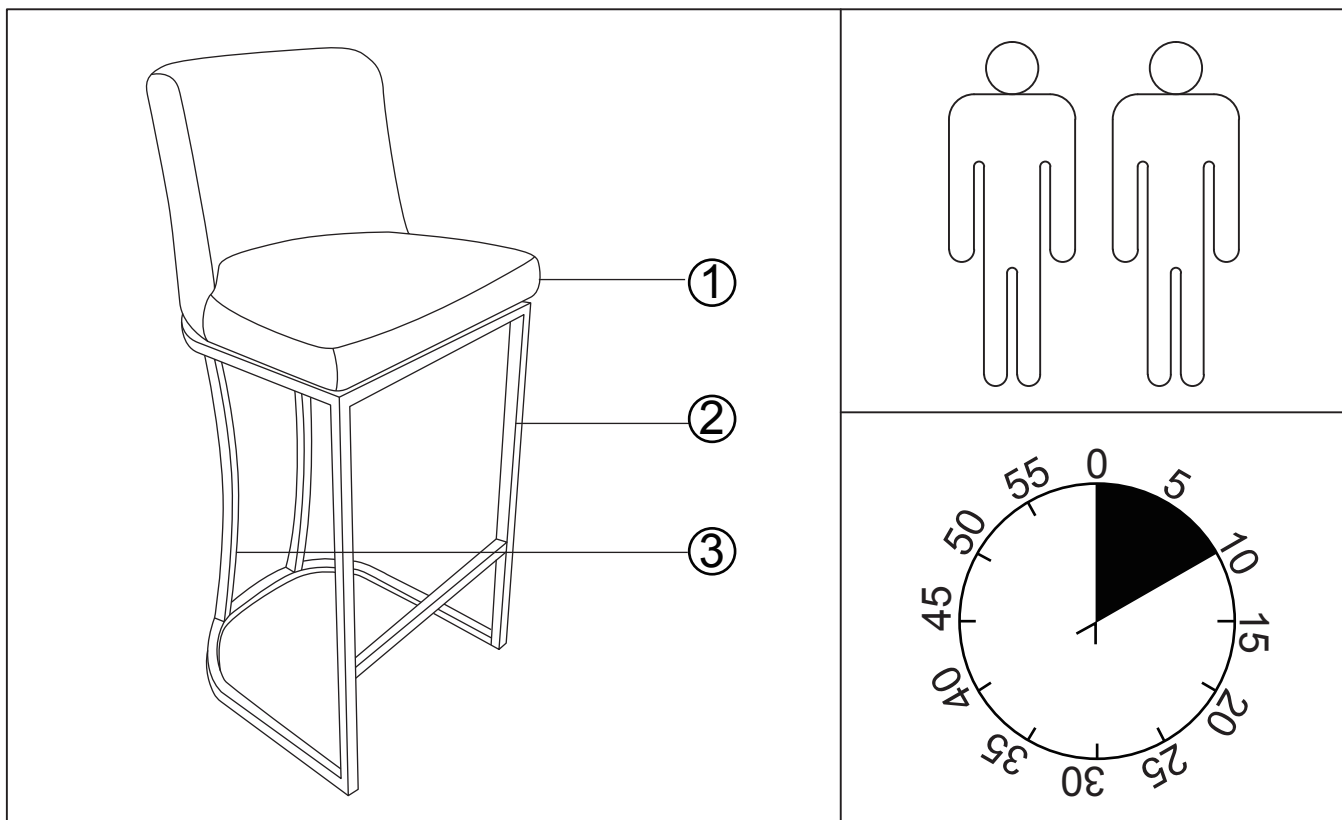
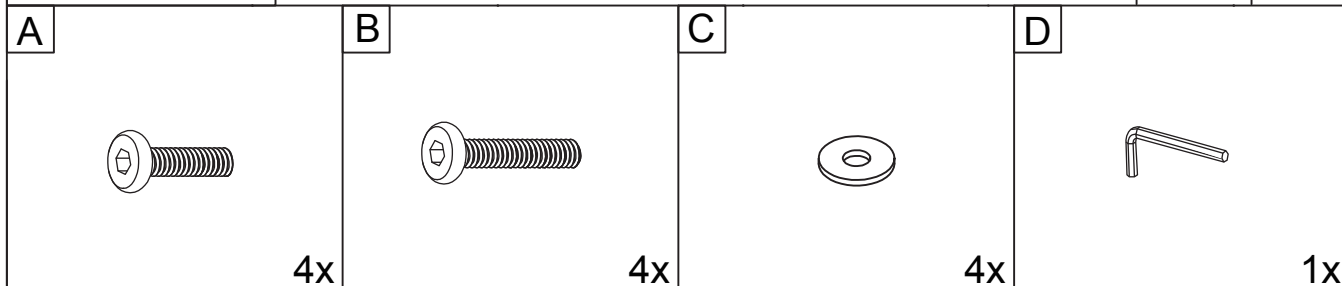


029-000197



1	1x
2	1x
3	2x



I.

1

B

x4

D

x1

75%

2

A

x4

C

x4

D

x1

75%

3

D

x1

100%