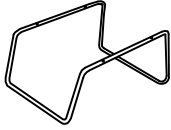


# ASSEMBLING INSTRUCTION

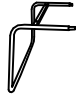
1 X1PC



2 X1PC



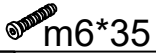
3 X1PC



4 X1PC



A X8PCS



m6\*35

B X8PCS



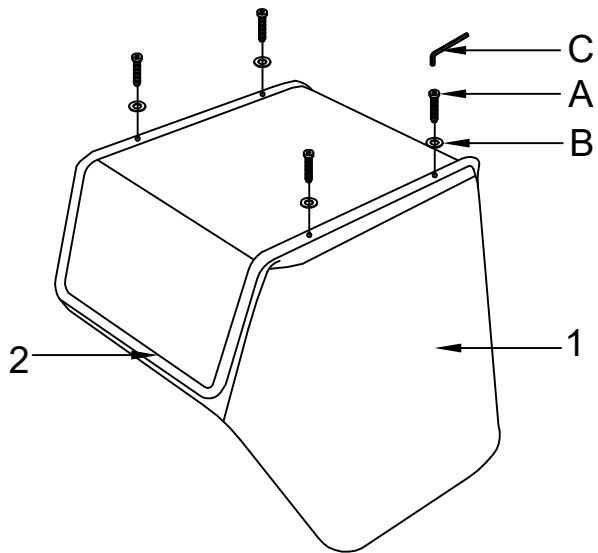
m6\*16

C X1PC

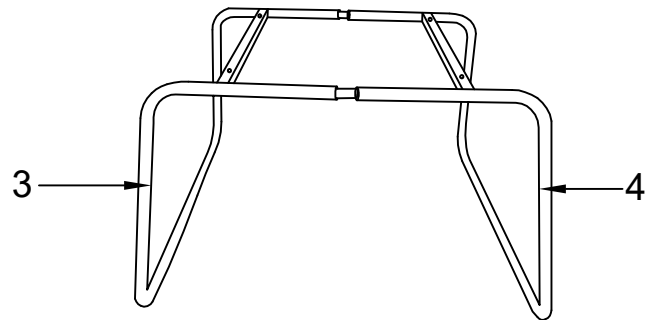


m5

1



2



3

