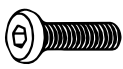


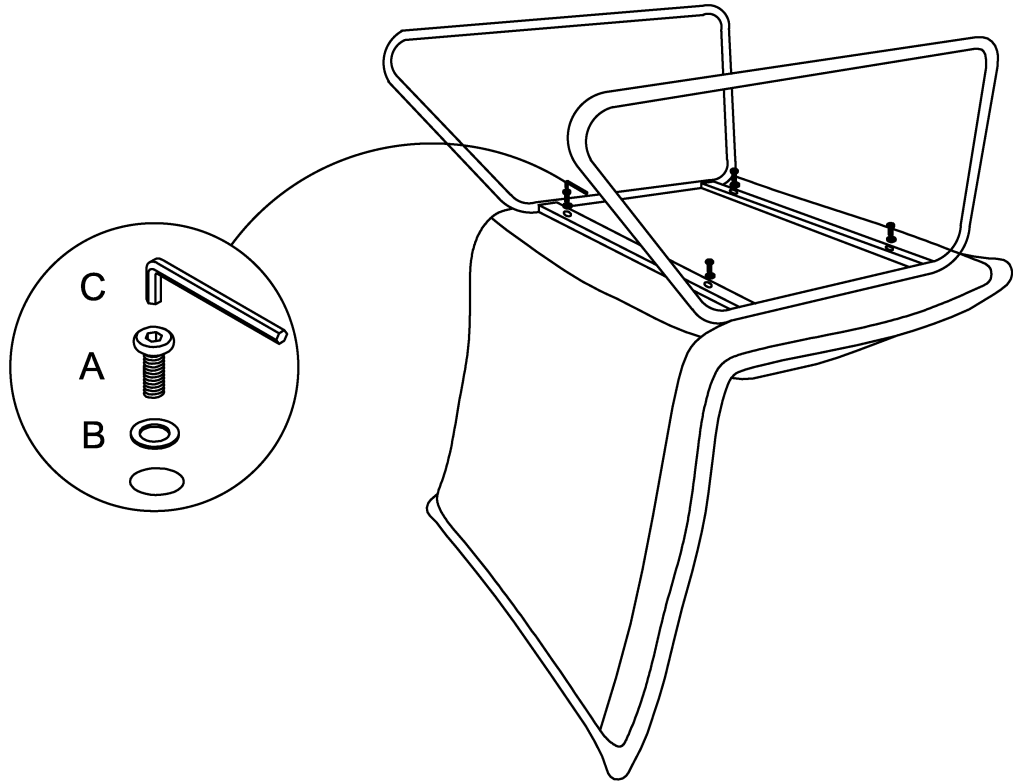


# ASSEMBLY INSTRUCTION

<b>A</b>  M6x30 x4	<b>B</b>  M6 x4	<b>C</b>  x1				
---	--	---	--	--	--	--

## STEP 1



## STEP 2

