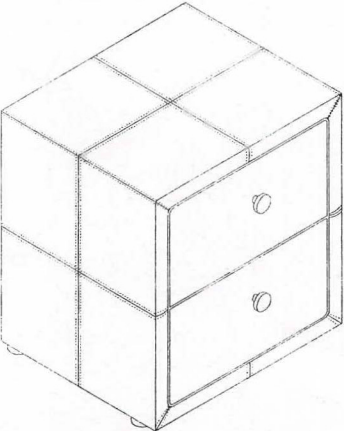
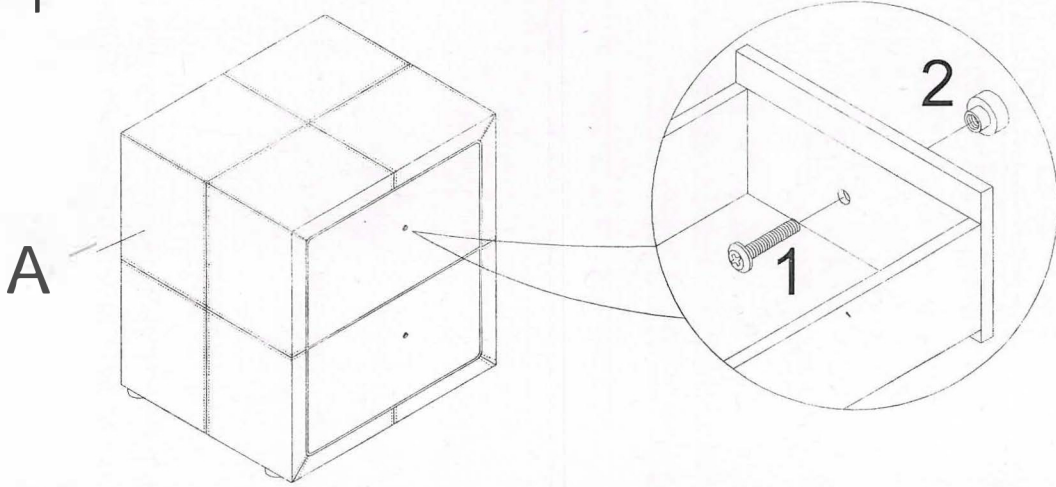

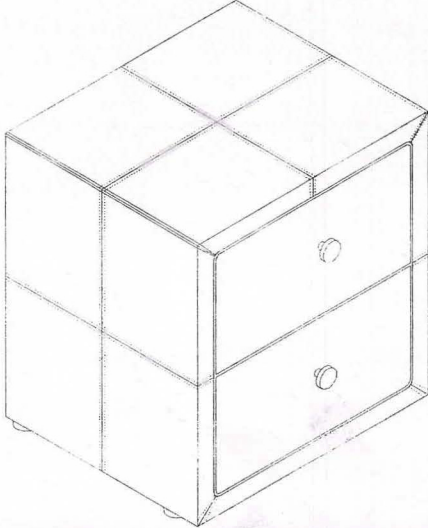





NO	PART LIST	QTY	SETP 1
A		1PC	
NO	HARDWARE LIST	QTY	SETP 2
1	PHILIP BOLTS 	2PCS	
2	HANDLE 	2PCS	
3			

USE OF POWER TOOLS TO ASSEMBLE THIS PRODUCT WILL INVALIDATE ANY CLAIM AND MAY DAMAGE THIS PRODUCT MAKING IT UNSAFE

